

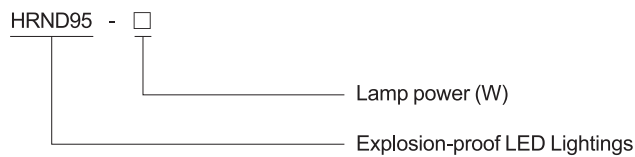
LED Light Fittings

HRND95 Series Explosion-proof LED Lightings



- ◆ Explosion protection to
 - CENELEC
 - IEC
 - NEC
- ◆ Can be used in
 - Zone 2
 - Zone 22
 - Class I, Zone 2
 - Class I, Division 2, Groups A, B, C, D
- ◆ Applicable lamp and power (max.300W)
LED: 40W, 60W, 80W, 120W, 160W, 200W, 240W, 300W
- ◆ International brand white light LED, reasonable arrangement of multi LED, high lighting efficiency and long service life.
- ◆ Two types of light distribution: spotlight and floodlight, which can be selected on request.
- ◆ Standard luminaries equip without lens, 30° lens and 60° lens which are optional, please indicate when placing an order.
- ◆ Standard luminaries do not equip with external lampshade, if need, please specify.
- ◆ Low-maintenance due to long service life of up to 100,000 operating hours.

Catalogue number logic



Selection table

| Type/Ordering code | Lamp power (W) | Weight (kg) | Type/Ordering code | Lamp power (W) | Weight (kg) |
|--------------------|----------------|-------------|--------------------|----------------|-------------|
| HRND95-40 | 40 | 3.50 | HRND95-160 | 160 | 9.50 |
| HRND95-60 | 60 | 4.00 | HRND95-200 | 200 | 10.00 |
| HRND95-80 | 80 | 6.00 | HRND95-240 | 240 | 16.50 |
| HRND95-120 | 120 | 6.50 | HRND95-300 | 300 | 17.00 |

Note: 1. Standard products without lens, 30° lens and 60° lens which are optional, please indicate when placing an order.
2. Standard luminaries do not equip with external lampshade if need, please specify.

Zones 2; 22

LED Light Fittings

HRND95 Series Explosion-proof LED Lightings

| Technical data | |
|---|--|
| Explosion-proof LED Lightings HRND95-□ | |
| Explosion protection | |
| Gas explosion protection | ⊕ II 3 G Ex nR IIC T□ ¹⁾ Gc |
| Dust explosion protection | ⊕ II 3 D Ex tc IIIC T□ ¹⁾ Dc IP66 |
| | ¹⁾ See Selection Table |
| Certificates | ATEX (applied for); IECEx EUT 18.0002X |
| Conformity to standards | EN 60079-0, EN 60079-15, EN 60079-31 IEC 60079-0, IEC 60079-15, IEC 60079-31 |
| Material | |
| Enclosure | Copper-free aluminium, powder coated surface, |
| Glass cover | Toughened glass, stands 4J impact |
| LED driver | Wide voltage input, CC-CV (constant current - constant voltage) output, power factor ≥ 0.95, with function of distributed current, constant current, surge-proof and anti-electromagnetic interference, and protection against overcurrent, open circuit, and short circuit. |
| Exposed fastener | Stainless steel |
| Lamp | |
| Lamp specification | LED module, Multiple LED |
| Lamp power (W) | 40W, 60W, 80W, 120W, 160W, 200W, 240W, 300W |
| Colour Temperature (CCT) | Nature white: 5000±300K Note: nature white is available in general. Warm white (3000±200K) is optional, please specify when ordering. |
| Rated voltage | 100~277V AC 50/60Hz, 130~250V DC |
| Degree of protection | IP66 |
| Ambient temperature | -40℃ ~ +55℃ |
| Terminal | 3 x 1.5~2.5mm ² (L+N+PE) |
| Cable | 1x M20 x 1.5 cable gland (DQM-I Ex e) |



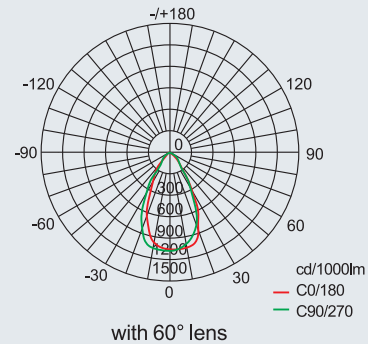
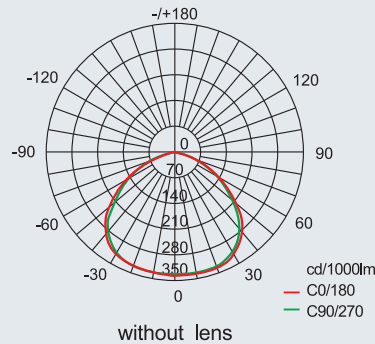
| Selection table | | | | |
|-----------------------------|----------------------------|------|------------------|------|
| Rated power(W) | Temperature classification | | | |
| | -40℃ ≤ Ta ≤ +40℃ | | -40℃ ≤ Ta ≤ +55℃ | |
| | Gas | Dust | Gas | Dust |
| 40, 80 | – | – | T6 | T80℃ |
| 60, 120, 160, 200, 240, 300 | T6 | T80℃ | T5 | T95℃ |

LED Light Fittings HRND95 Series Explosion-proof LED Lightings

Photometric data Note: Standard products without lens, 30° lens and 60° lens which are optional, please indicate when placing an order.

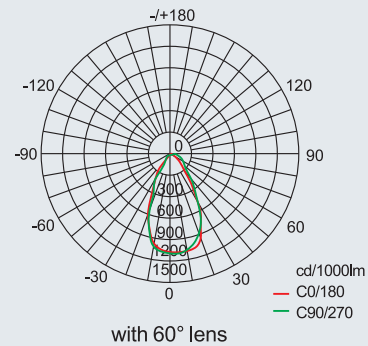
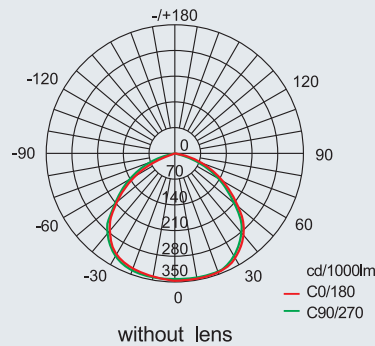
HRND95-□

Rated luminous flux
40W LED: 5345lm
60W LED: 7430lm
Luminous efficacy
40W LED: 133lm/W
60W LED: 124lm/W



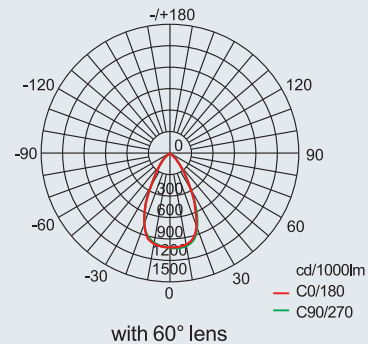
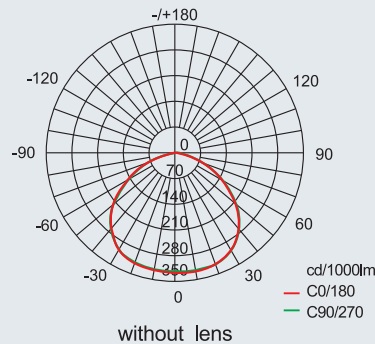
HRND95-□

Rated luminous flux
80W LED: 10820lm
120W LED: 15310lm
Luminous efficacy
80W LED: 135lm/W
120W LED: 128lm/W



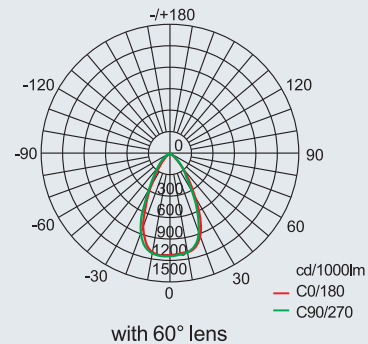
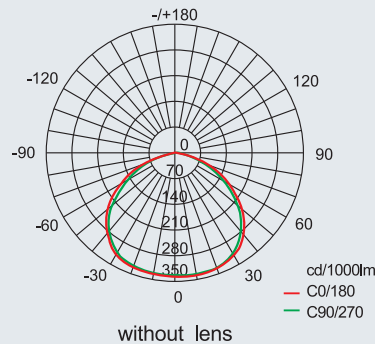
HRND95-□

Rated luminous flux
160W LED: 21590lm
200W LED: 25895lm
Luminous efficacy
160W LED: 135lm/W
200W LED: 129lm/W



HRND95-□

Rated luminous flux
240W LED: 32540lm
300W LED: 39750lm
Luminous efficacy
240W LED: 135lm/W
300W LED: 132lm/W

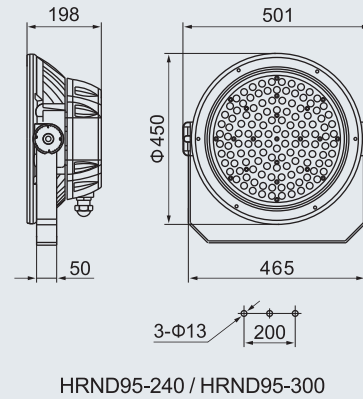
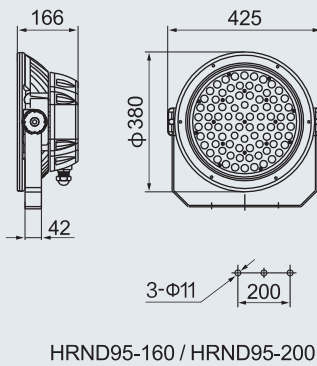
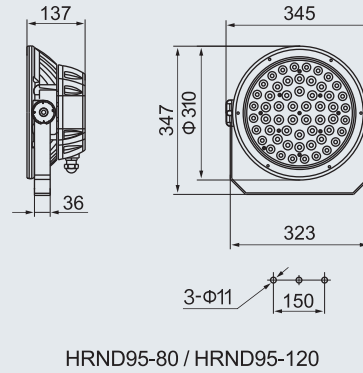
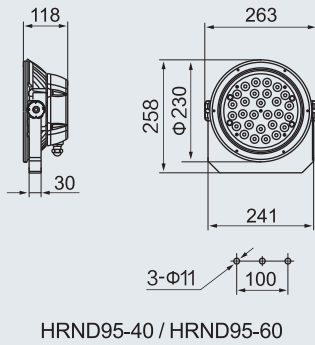


We can provide lighting design and data by professional lighting software DIALUX based upon simulated site situation on request.



LED Light Fittings HRND95 Series Explosion-proof LED Lightings

Dimension drawings (all dimensions in mm) - subject to alteration



Accessories

| Picture | Name | Ordering code | Weight (kg) |
|---------|---------------------|---------------|-------------|
| | 40W/60W Reflector | 95001 | 0.23 |
| | 80W/120W Reflector | 95002 | 0.39 |
| | 160W/200W Reflector | 95003 | 0.45 |
| | 240W/300W Reflector | 95004 | 0.69 |

