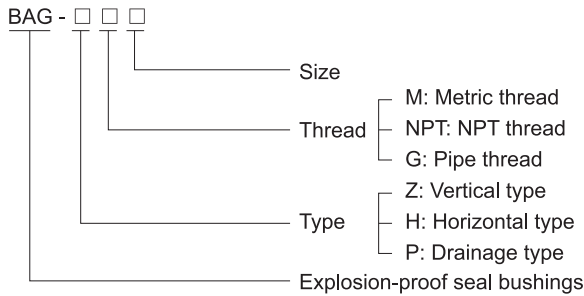


Accessories for Installation BAG Series Explosion-proof Seal Bushings



- ◆ Explosion protection to
 - CENELEC
 - IEC
 - NEC
- ◆ Can be used in
 - Zone 1 and Zone 2
 - Zone 21 and Zone 22
 - Class I, Zone 1 and Zone 2
 - Class I, Division 1, Groups A, B, C, D
- ◆ Copper-free aluminium, powder coated surface.
- ◆ Widely used for isolating seal between pipes or pipes and explosion-proof enclosures.

Catalogue number logic



Technical data	
Explosion-proof seal bushings	BAG-□□□
Explosion protection	<ul style="list-style-type: none"> Gas explosion protection: Ex II 2 G Ex db IIC Gb Ex II 2 G Ex eb IIC Gb Dust explosion protection: Ex II 2 D Ex tb IIIC Db IP66
Certificates	EPT 14 ATEX 1124X; IECEX CQM 13.0029X; RU C-CN.ГБ08.B.00927(CU-TR)
Conformity to standards	EN 60079-0, EN 60079-1, EN 60079-7, EN 60079-31 IEC 60079-0, IEC 60079-1, IEC 60079-7, IEC 60079-31
Enclosure material	Copper-free aluminium, powder coated surface. Note: Other material can be customized on request.
Enclosure colour	Window grey (RAL 7040)
Degree of protection	IP66
Ambient temperature	-60°C~+75°C
Type	Type Z, Type H, Type P
Connection thread	1. Metric thread is standard type; G thread or NPT thread is optional. (The seal bushings are supplied without filling compound. Please specify when ordering) 2. Metric threads are 1.5mm pitch as standard, others thread pitch can be customized, please specify when ordering.

Zones 1&2; 21&22

Accessories for Installation

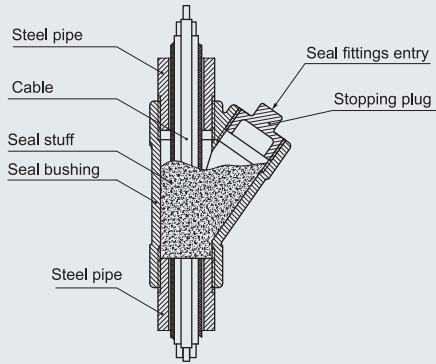
BAG Series Explosion-proof Seal Bushings

Selection table								
Version	Female thread "H"			Dimensions (mm)		Cable outer diameter (mm)	Ordering code	Weight (kg)
	Metric	NPT	G	A	B			
 <p>Type Z</p>	M20	1/2"	1/2"	77	54	8~10	704001	0.10
	M25	3/4"	3/4"	87	65	10~14	704002	0.15
	M32	1"	1"	102	78	12~17	704003	0.20
 <p>Type Z</p>	M40	1 1/4"	1 1/4"	130	87	15~23	704004	0.35
	M50	1 1/2"	1 1/2"	130	92	17~26	704005	0.35
	M63	2"	2"	140	107	25~35	704006	0.50
 <p>Type H</p>	M20	1/2"	1/2"	74	95	8~10	704007	0.30
	M25	3/4"	3/4"	74	101	10~14	704008	0.30
	M32	1"	1"	74	107	12~17	704009	0.30
	M40	1 1/4"	1 1/4"	98	115	15~23	704010	0.35
	M50	1 1/2"	1 1/2"	98	134	17~26	704011	0.45
	M63	2"	2"	120	142	25~35	704012	0.55
 <p>Type P</p>	M20	1/2"	1/2"	88	61	8~10	704013	0.15
	M25	3/4"	3/4"	100	74	10~14	704014	0.20
	M32	1"	1"	111	83	12~17	704015	0.25
 <p>Type P</p>	M40	1 1/4"	1 1/4"	130	116	15~23	704016	0.45
	M50	1 1/2"	1 1/2"	130	121	17~26	704017	0.45
	M63	2"	2"	140	143	25~35	704018	0.65

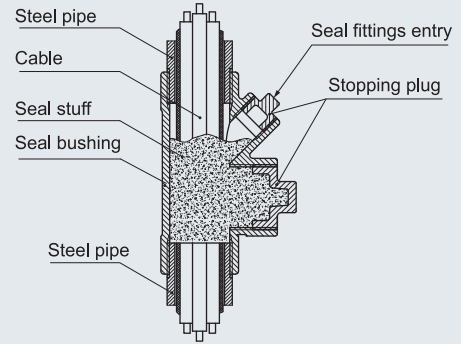


Accessories for Installation BAG Series Explosion-proof Seal Bushings

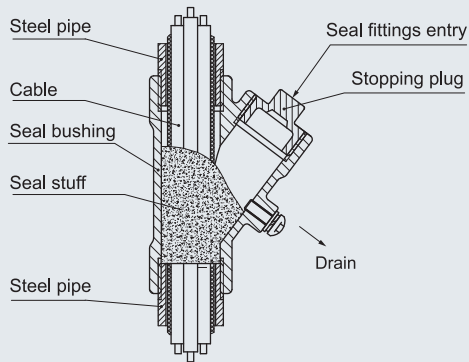
Schematic diagram



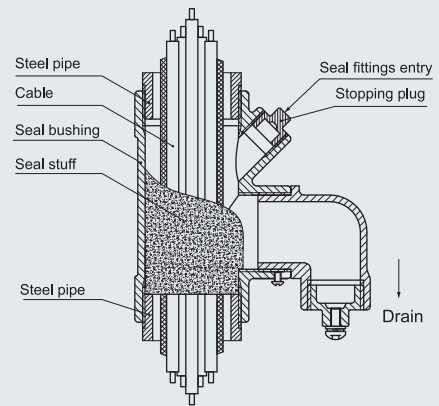
BAG-Z (Vertical type M20 x 1.5 ~ M32 x 1.5)



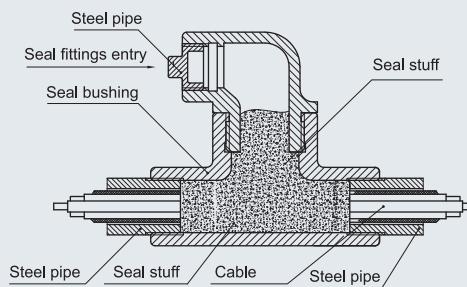
BAG-Z (Vertical type M40 x 1.5 ~ M63 x 1.5)



BAG-P (Drainage type M20 x 1.5 ~ M32 x 1.5)



BAG-P (Drainage type M40 x 1.5 ~ M63 x 1.5)



BAG-H (Horizontal type)

