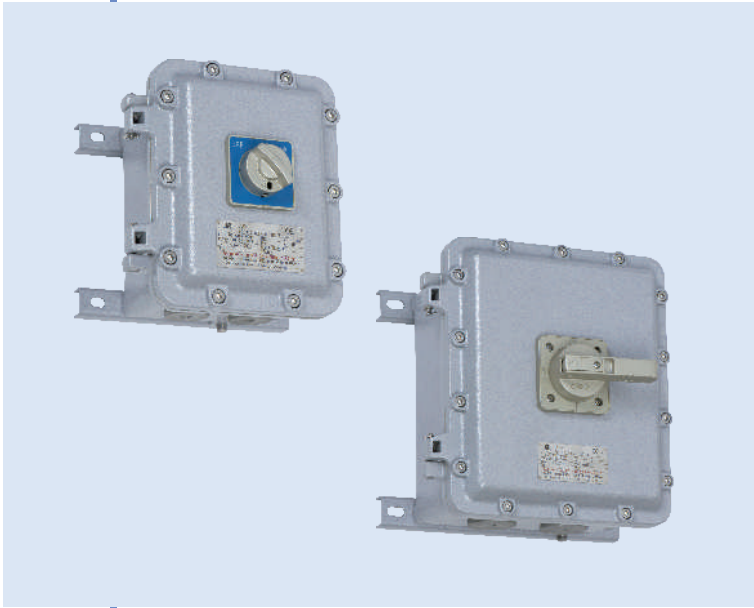


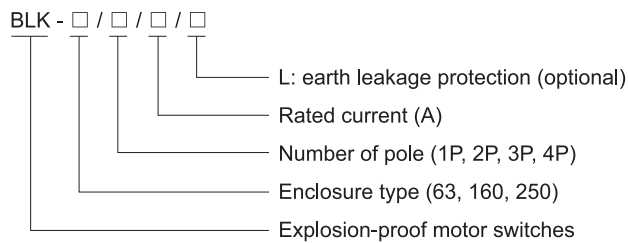
## Motor Switches

### BLK Series Explosion-proof Motor Switches (Ex d IIB)



- ◆ Explosion protection to
  - CENELEC
  - IEC
  - NEC
- ◆ Can be used in
  - Zone 1 and Zone 2
  - Zone 21 and Zone 22
  - Class I, Zone 1 and Zone 2
  - Class I, Division 1, Groups C, D
- ◆ Classified as IIB according to gas atmosphere.
- ◆ Copper-free aluminium enclosure, powder-coated surface.
- ◆ Built-in MCB (miniature circuit breaker), MCCB (moulded case circuit breaker).
- ◆ Earth leakage protection device is optional.

#### ■ Catalogue number logic



#### ■ Note

1. Please select the model by Catalogue number logic above, and specify all technical data;
2. Please specify Ex-mark when ordering;
3. Entry size and direction on request.

# Zones 1&2; 21&22

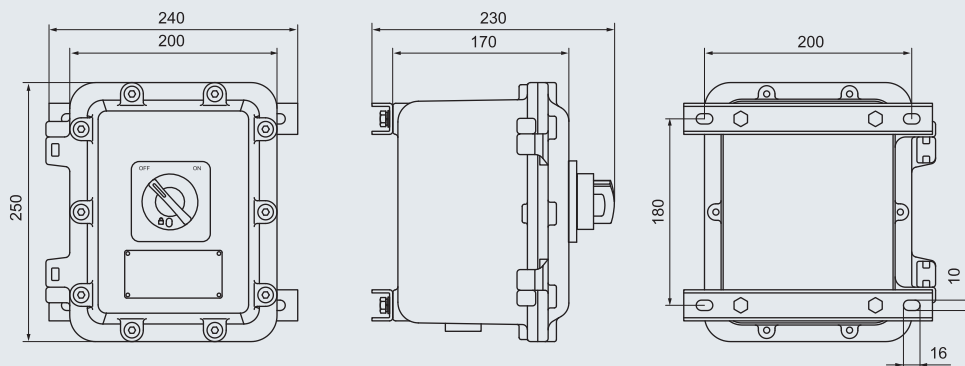
## Motor Switches

### BLK Series Explosion-proof Motor Switches (Ex d IIB)

Technical data	
<b>Explosion-proof motor switches</b>	<b>BLK-63/□/□/□</b>
<b>Explosion protection</b>	
Gas explosion protection	⊕ II 2 G Ex db IIB T6 Gb
Dust explosion protection	⊕ II 2 D Ex tb IIIC T80°C Db IP66
<b>Certificates</b>	LCIE 06 ATEX 6091; IECEx LCI 08.0009; KZ.7500525.22.01.00362 (CU-TR)
<b>Conformity to standards</b>	EN 60079-0, EN 60079-1, EN 60079-31 IEC 60079-0, IEC 60079-1, IEC 60079-31
<b>Enclosure material</b>	Copper-free aluminium, powder coated surface
<b>Enclosure colour</b>	Window grey (RAL7040)
<b>Exposed fastener</b>	Stainless steel
<b>Circuit breaker</b>	MCB (miniature circuit breaker)
<b>Max. working voltage</b>	440V AC 50/60Hz
<b>Rated voltage</b>	1P/230V AC, 2P/3P/4P/400V AC 50/60Hz
<b>Rated current</b>	1A, 2A, 4A, 6A, 10A, 16A, 20A, 25A, 32A, 40A, 50A, 63A
<b>Number of pole</b>	1P, 2P, 3P, 4P
<b>Breaking capacity</b>	6kA, 10kA, 15kA
<b>Tripping characteristic</b>	Instantaneous tripping range (5~10) In, (7~10) In or (10~14) In
<b>Impulse withstand voltage</b>	6kV
<b>Degree of protection</b>	IP66
<b>Internal&amp;external earthing</b>	M6/M6
<b>Ambient temperature</b>	-60°C ~ +60°C
<b>Cable entries</b>	Standard 1~16A: 2 x M25 x 1.5 plugs 20~32A: 2 x M32 x 1.5 plugs 40~63A: 2 x M40 x 1.5 plugs
<b>Cable gland (optional)</b>	DQM-II (Ex d) or DQM-III (Ex d) is recommended. Please see P7/20~29
<b>Entry direction</b>	Bottom
<b>Enclosure weight</b>	8.00 kg
<b>Earth leakage protection</b>	On request



### Dimension drawings (all dimensions in mm) - subject to alteration



BLK-63/□/□/□

## Motor Switches

### BLK Series Explosion-proof Motor Switches (Ex d IIB)

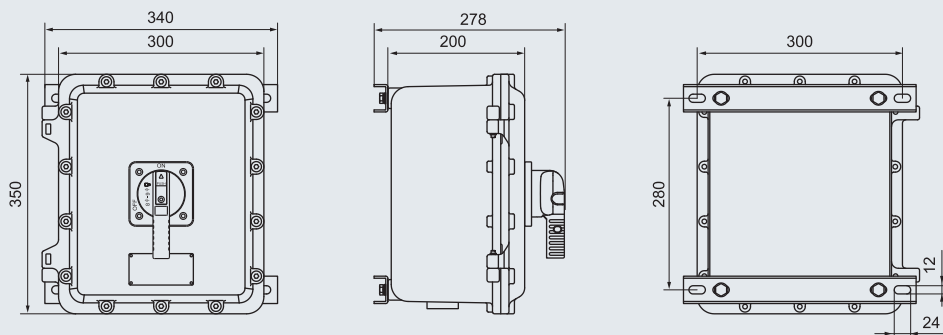
#### Technical data

#### Explosion-proof motor switches BLK-160/□/□/□

<b>Explosion protection</b>	
Gas explosion protection	⊕ II 2 G Ex db IIB T6 Gb
Dust explosion protection	⊕ II 2 D Ex tb IIIC T80°C Db IP66
<b>Certificates</b>	LCIE 06 ATEX 6091; IECEx LCI 08.0009; KZ.7500525.22.01.00362 (CU-TR)
<b>Conformity to standards</b>	EN 60079-0, EN 60079-1, EN 60079-31 IEC 60079-0, IEC 60079-1, IEC 60079-31
<b>Enclosure material</b>	Copper-free aluminium, powder coated surface
<b>Enclosure colour</b>	Window grey (RAL7040)
<b>Exposed fastener</b>	Stainless steel
<b>Circuit breaker</b>	MCCB (moulded case circuit breaker)
<b>Max. working voltage</b>	690V AC 50/60Hz 500V DC
<b>Rated current</b>	Max.160A
<b>Number of pole</b>	3P, 4P
<b>Breaking capacity</b>	380/415V AC 50/60Hz, 36kA/50kA 440V AC 50/60Hz, 30kA/45kA
<b>Impulse withstand voltage</b>	8kV
<b>Tripping characteristic</b>	Thermomagnetic type
<b>Degree of protection</b>	IP66
<b>Internal&amp;external earthing</b>	M6/M8
<b>Ambient temperature</b>	-60°C~+60°C
<b>Cable entries</b>	Standard 80~100A: 2 x M50 x 1.5 plugs 125~160A: 2 x M63 x 1.5 plugs
<b>Cable gland (optional)</b>	DQM-II (Ex d) or DQM-III (Ex d) is recommended. Please see P7/20~29
<b>Entry direction</b>	Bottom
<b>Enclosure weight</b>	18.90kg
<b>Earth leakage protection</b>	On request



#### Dimension drawings (all dimensions in mm) - subject to alteration



BLK-160/□/□/□

## Motor Switches

### BLK Series Explosion-proof Motor Switches (Ex d IIB)



Technical data	
<b>Explosion-proof motor switches</b>	<b>BLK-250/□/□/□</b>
<b>Explosion protection</b>	
Gas explosion protection	⊕ II 2 G Ex db IIB T6 Gb
Dust explosion protection	⊕ II 2 D Ex tb III C T80°C Db IP66
<b>Certificates</b>	LCIE 06 ATEX 6091; IECEx LCI 08.0009; KZ.7500525.22.01.00362 (CU-TR)
<b>Conformity to standards</b>	EN 60079-0, EN 60079-1, EN 60079-31 IEC 60079-0, IEC 60079-1, IEC 60079-31
<b>Enclosure material</b>	Copper-free aluminium, powder coated surface
<b>Enclosure colour</b>	Window grey (RAL7040)
<b>Exposed fastener</b>	Stainless steel
<b>Circuit breaker</b>	MCCB (moulded case circuit breaker)
<b>Max. working voltage</b>	690V AC 50/60Hz 500V DC
<b>Rated current</b>	Max.250A
<b>Number of pole</b>	3P, 4P
<b>Breaking capacity</b>	380/415V AC 50/60Hz, 36kA/50kA 440V AC 50/60Hz, 25kA/40kA
<b>Impulse withstand voltage</b>	8kV
<b>Tripping characteristic</b>	Thermomagnetic type
<b>Degree of protection</b>	IP66
<b>Internal&amp;external earthing</b>	M6/M8
<b>Ambient temperature</b>	-60°C~+60°C
<b>Cable entries</b>	Standard 2 x M63 x 1.5 plugs
<b>Cable gland (optional)</b>	DQM-II (Ex d) or DQM-III (Ex d) is recommended. Please see P7/20~29
<b>Entry direction</b>	Bottom
<b>Enclosure weight</b>	28.50kg
<b>Earth leakage protection</b>	On request
<b>Note</b>	Rated current > 250A on request.

#### Dimension drawings (all dimensions in mm) - subject to alteration

