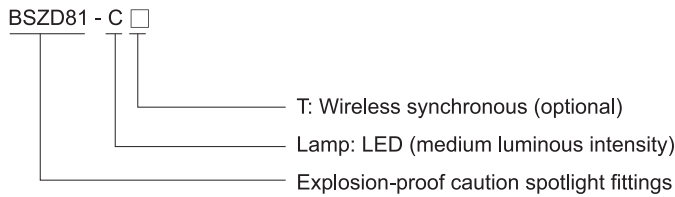


## Local, Caution Spotlight Fittings BSZD81-C Series Explosion-proof Caution Spotlight Fittings

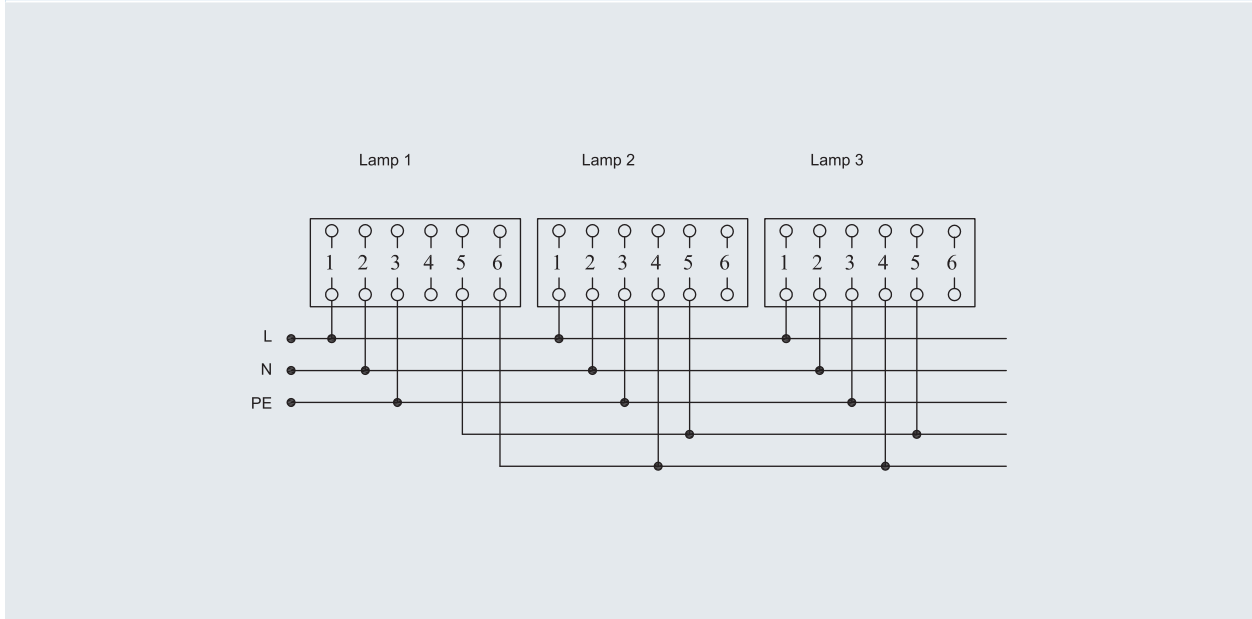


- ◆ Explosion protection to
  - CENELEC
  - IEC
  - NEC
- ◆ Can be used in
  - Zone 1 and Zone 2
  - Zone 21 and Zone 22
  - Class I, Zone 1 and Zone 2
  - Class I, Division 2, Groups A, B, C, D
- ◆ Ultra-bright LED lamp, low consumption and long service life up to 30,000 hours, integrated chip control with various circuit protection.
- ◆ Synchronous flashing of light fittings through signal lines.
- ◆ Enclosure in copper-free aluminium, powder coated surface, yellow (RAL1021).

### Catalogue number logic



### Wired sync connection diagram



**Zones 1&2; 21&22**

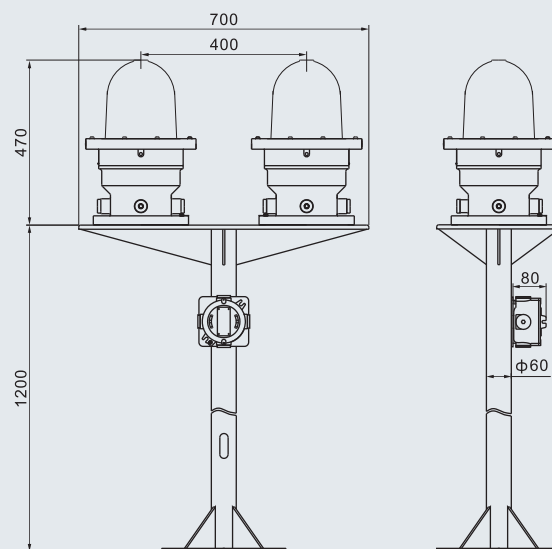
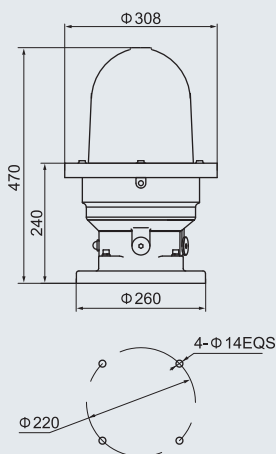
## Local, Caution Spotlight Fittings

### BSZD81-C Series Explosion-proof Caution Spotlight Fittings

Technical data	
<b>Explosion-proof caution spotlight fittings BSZD81-C</b> □	
<b>Explosion protection</b>	<p>Gas explosion protection Dust explosion protection</p> <p>⊕ II 2 G Ex d e IIC T6 Gb ⊕ II 2 D Ex tb IIIC T80 °C Db IP65</p>
<b>Certificates</b>	EUT 14 ATEX 1155; IECEx QCM 11.0026X; KZ.7500525.22.01.00380 (CU-TR)
<b>Conformity to standards</b>	EN 60079-0, EN 60079-1, EN 60079-7, EN 60079-31 IEC 60079-0, IEC 60079-1, IEC 60079-7, IEC 60079-31
<b>Material</b>	
Enclosure	Copper-free aluminium, powder coated surface, yellow (RAL1021)
Transparent cover	Toughened glass, stands 4J impact
Exposed fastener	Stainless steel
<b>Rated voltage</b>	100V, 110V, 120V, 127V, 220V, 230V, 240V AC 50/60Hz
<b>Lamp</b>	
Lamp specification	LED
Lamp power (W)	40W (continuous work)
<b>Lamp colour</b>	Red
<b>Max. luminous intensity value</b>	> 2000cd
<b>Flash frequency</b>	16, 20, 30, 40, 60, 80, 120, 240 (times/min)
<b>Earthing protection</b>	M5 (internal & external earth bolts)
<b>Degree of protection</b>	IP65
<b>Ambient temperature</b>	-40°C~+55°C
<b>Terminal</b>	3 x 1.5~2.5mm <sup>2</sup> (L+N+PE)
<b>Cable entries</b>	4 x M25 x 1.5 plugs
<b>Cable gland (optional)</b>	DQM-I (Ex e) is recommended. Please see P7/17~19.
<b>Weight</b>	13.8kg



#### Dimension drawings (all dimensions in mm) - subject to alteration



Drawings of main (spare) caution spotlight fittings

**Note:** The light fitting consists of two completely independent photoelectric control systems which can control the main and spare lamps respectively. Generally, the main lamp is used for night lighting, and it will be shut down automatically during the day. If the main lamp is damaged, the spare lamp will be started automatically to be substituted for main lamp.