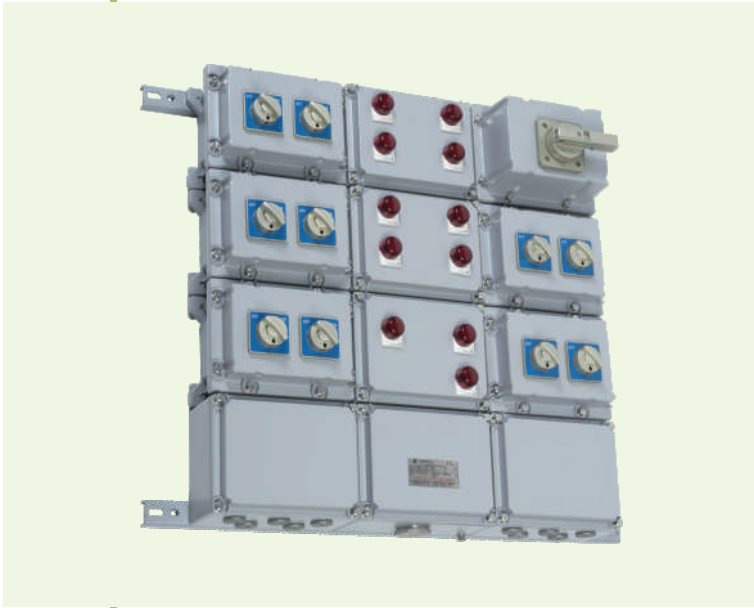


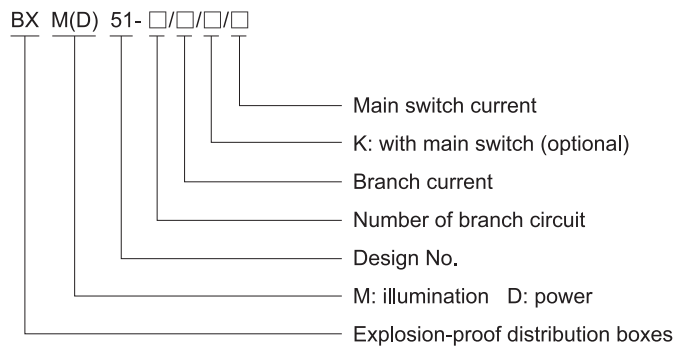
## Distribution Boxes

### BXM(D)51 Series Explosion-proof Illumination (Power) Distribution Boxes (Ex d e IIB)



- ◆ Explosion protection to
  - CENELEC
  - IEC
  - NEC
- ◆ Can be used in
  - Zone 1 and Zone 2
  - Zone 21 and Zone 22
  - Class I, Zone 1 and Zone 2
  - Class I, Division 2, Groups C, D
- ◆ Enclosure for modular combination (Ex d & Ex e).
- ◆ Main switch and branch switch are operated with external rotary actuator.
- ◆ Internal wiring to the terminal is finished.
- ◆ International brand of explosion-proof terminal.
- ◆ Copper-free aluminium, powder coated surface.
- ◆ Entries plugged. Cable glands on request (see P7/17~19).
- ◆ Special requirements on request.

#### ■ Catalogue number logic



# Zones 1&2; 21&22

## Distribution Boxes

## BXM51 Series Explosion-proof Illumination Distribution Boxes (Ex d e IIB)

## Technical data

## Explosion-proof illumination distribution boxes BXM51-□/□/□/□

## Explosion protection

Gas explosion protection

Ex II 2 G Ex d e IIB T6

Dust explosion protection

Ex tD A21 IP65 T80°C

## Certificates

For gas explosion protection

PTB 03 ATEX 1078; IECEX CQM 07.0012

For dust explosion protection

PCEC (China)

## Conformity to standards

EN 50014, EN 50018, EN 50019

IEC 60079-0, IEC 60079-1, IEC 60079-7, IEC 61241-0, IEC 61241-1

## General power supply

Rated voltage: max. 415V AC 50/60Hz; Rated current: max.100A

## Branch current

1A, 2A, 4A, 6A, 10A, 16A, 20A, 25A, 32A

## Exposed fastener

Stainless steel

## Enclosure

Enclosure material

Copper-free aluminium, powder coated surface

Enclosure colour

Window grey (RAL7040)

Enclosure type

Modular combination (Ex d &amp; Ex e); MCB, MCCB or other components in Ex d compartment, explosion-proof indicators and terminals in Ex e compartment.

## Built-in components

Main switch

MCB (miniature circuit breaker) or MCCB (moulded case circuit breaker)

Note: earth leakage protection on request

Branch switch

MCB (miniature circuit breaker) or MCCB (moulded case circuit breaker)

Note: earth leakage protection on request

Terminal

International brand of explosion-proof terminal

Indicator

Red

## Degree of protection

IP65

## Internal&amp;external earthing

M6/M8

## Ambient temperature

-20°C~+55°C

## Cable entries

Standard M□ x 1.5 plug (see the Selection table on P6/4)

## Cable gland (optional)

DQM-I (Ex e) is recommended. Please see P7/17~19

## Entry direction

Bottom

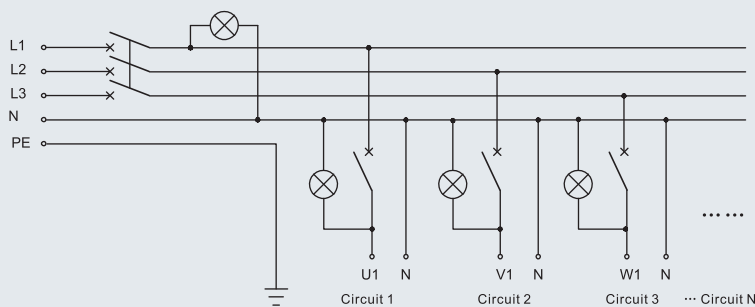
## Mounting

Surface type (standard)

Pedestal type (optional)



## Electrical schematic diagram



BXM51 Series explosion-proof illumination distribution boxes

Selection table of BXM 51 series explosion-proof illumination distribution boxes

Version	Description					Cable entries
	Main switch	Number of branch circuit	Branch switch	Branch current	Number of indicator	
BXM51-4/□/K/□	MCB or MCCB  Current: max. 100A	4	MCB 1 P/2 P	1A 2A 4A 6A 10A 16A 20A 25A 32A On request	1+4	1 x M40 x 1.5 + 4 x M25 x 1.5
BXM51-6/□/K/□		6			1+6	1 x M40 x 1.5 + 6 x M25 x 1.5
BXM51-8/□/K/□		8			1+8	1 x M40 x 1.5 + 8 x M25 x 1.5
BXM51-10/□/K/□		10			1+10	1 x M40 x 1.5 + 10 x M25 x 1.5
BXM51-12/□/K/□		12			1+12	1 x M40 x 1.5 + 12 x M25 x 1.5
BXM51-4/□	—	4	MCB 1 P/2 P	1A 2A 4A 6A 10A 16A 20A 25A 32A On request	4	1 x M40 x 1.5 + 4 x M25 x 1.5
BXM51-6/□		6			6	1 x M40 x 1.5 + 6 x M25 x 1.5
BXM51-8/□		8			8	1 x M40 x 1.5 + 8 x M25 x 1.5
BXM51-10/□		10			10	1 x M40 x 1.5 + 10 x M25 x 1.5
BXM51-12/□		12			12	1 x M40 x 1.5 + 12 x M25 x 1.5

#### Note

1. Please specify the number and size of cable entries and sides of the enclosure to be fitted.
2. Electrical schematic diagram shall be provided by user. Photo switch, AC contactor, thermal relay or others on request.
3. Please specify mounting type when ordering.
4. Rainproof canopy on request.



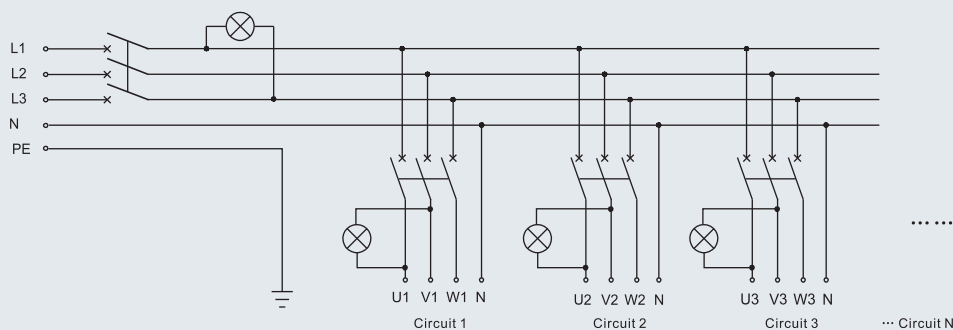
## Distribution Boxes

## BXD51 Series Explosion-proof Power Distribution Boxes (Ex d e IIB)



Technical data	
Explosion-proof power distribution boxes	BXD51-□/□/□/□
<b>Explosion protection</b>	
Gas explosion protection	⊕ II 2 G Ex d e IIB T6
Dust explosion protection	Ex tD A21 IP65 T80°C
<b>Certificates</b>	
For gas explosion protection	PTB 03 ATEX 1078; IECEX CQM 07.0012
For dust explosion protection	PCEC (China)
<b>Conformity to standards</b>	EN 50014, EN 50018, EN 50019 IEC 60079-0, IEC 60079-1, IEC 60079-7, IEC 61241-0, IEC 61241-1
<b>General power supply</b>	Rated voltage: max. 415V AC 50/60Hz; Rated current: max. 250A
<b>Branch current</b>	1A, 2A, 4A, 6A, 10A, 16A, 20A, 25A, 32A, 40A, 50A, 63A
<b>Exposed fastener</b>	Stainless steel
<b>Enclosure</b>	
Enclosure material	Copper-free aluminium, powder coated surface
Enclosure colour	Window grey (RAL7040)
Enclosure type	Modular combination (Ex d & Ex e); MCB, MCCB or other components in Ex d compartment, explosion-proof indicators and terminals in Ex e compartment.
<b>Built-in components</b>	
Main switch	MCB (miniature circuit breaker) or MCCB (moulded case circuit breaker) Note: earth leakage protection on request
Branch switch	MCB (miniature circuit breaker) or MCCB (moulded case circuit breaker) Note: earth leakage protection on request
Terminal	International brand of explosion-proof terminal
Indicator	Red
<b>Degree of protection</b>	IP65
<b>Internal&amp;external earthing</b>	M6/M8
<b>Ambient temperature</b>	-20°C~+55°C
<b>Cable entries</b>	Standard M□ x 1,5 plug (see the Selection table on P6/6)
<b>Cable gland (optional)</b>	DQM-I (Ex e) is recommended. Please see P7/17~19
<b>Entry direction</b>	Bottom
<b>Mounting</b>	Surface type (standard) Pedestal type (optional)

## Electrical schematic diagram



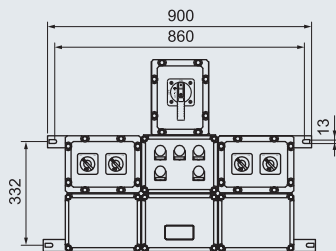
BXD51 Series explosion-proof power distribution boxes

Selection table of BXD51 series explosion-proof power distribution boxes

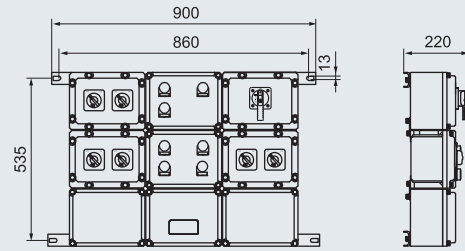
Version	Description					Cable entries	
	Main switch	Number of branch circuit	Branch switch	Branch current	Number of indicator		
BXD51-4/□/K/□	MCB or MCCB	4	MCB 3P	1A	1+4	1 x M50 x 1.5 +	
BXD51-6/□/K/□		6		2A		1+6	4 x M25 x 1.5
BXD51-8/□/K/□		8		4A	1+8		1 x M50 x 1.5 +
BXD51-10/□/K/□		Current: max. 250A		10		6A	1+10
BXD51-12/□/K/□				12	10A	1+12	
			16A		8 x M25 x 1.5		
			20A				
			25A				
			32A				
			40A				
			50A				
			63A				
			On request				
BXD51-4/□	—	4	MCB 3P	1A	4	1 x M50 x 1.5 +	
BXD51-6/□		6		2A		6	4 x M25 x 1.5
BXD51-8/□		8		4A	8		1 x M50 x 1.5 +
BXD51-10/□		10		6A		10	6 x M25 x 1.5
BXD51-12/□		12		10A	12		1 x M50 x 1.5 +
			16A			8 x M25 x 1.5	
			20A				
			25A				
			32A				
			40A				
			50A				
			63A				
			On request				

**Note**

1. Please specify the number and size of cable entries and sides of the enclosure to be fitted.
2. Electrical schematic diagram shall be provided by user. Photo switch, AC contactor, thermal relay or others on request.
3. Please specify mounting type when ordering.
4. Rainproof canopy on request.

**Dimension drawings** (all dimensions in mm) - subject to alteration

BXM(D)51-4/□/K/□

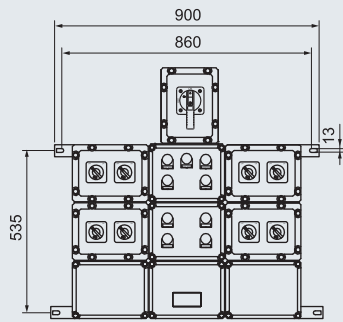


BXM(D)51-6/□/K/□

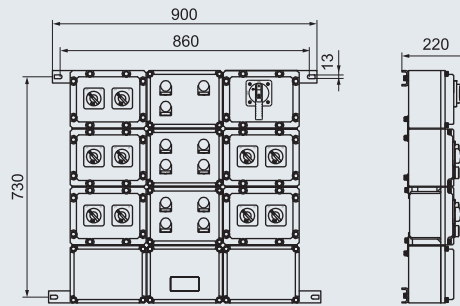
## Distribution Boxes

### BXM(D)51 Series Explosion-proof Illumination (Power) Distribution Boxes (Ex d e IIB)

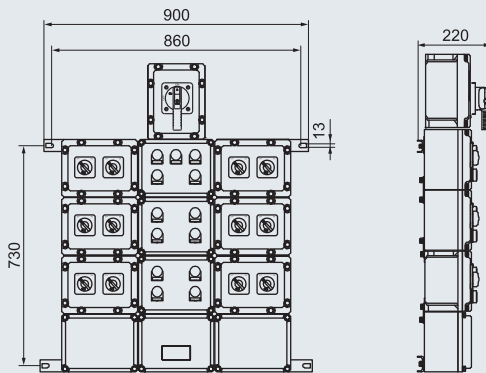
Dimension drawings (all dimensions in mm) - subject to alteration



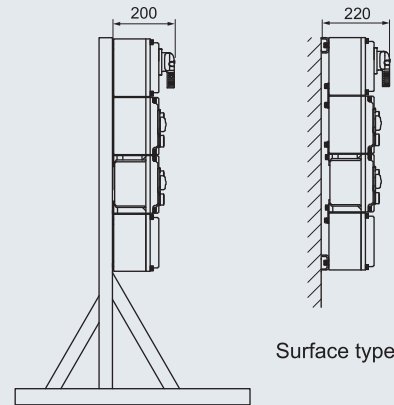
BXM(D)51-8/□/K/□



BXM(D)51-10/□/K/□

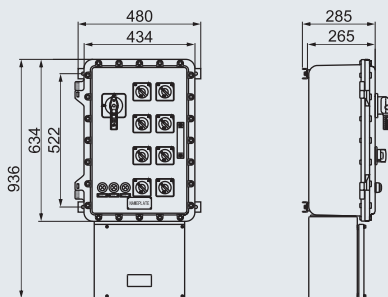


BXM(D)51-12/□/K/□

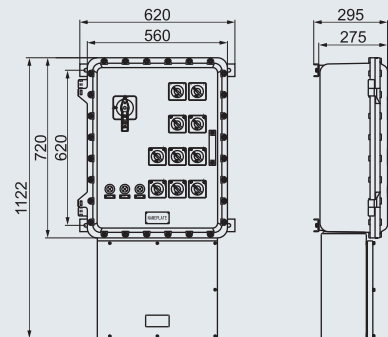


Pedestal type

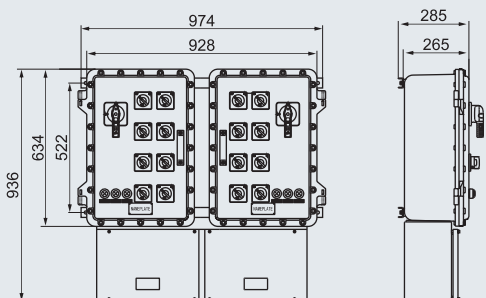
Surface type



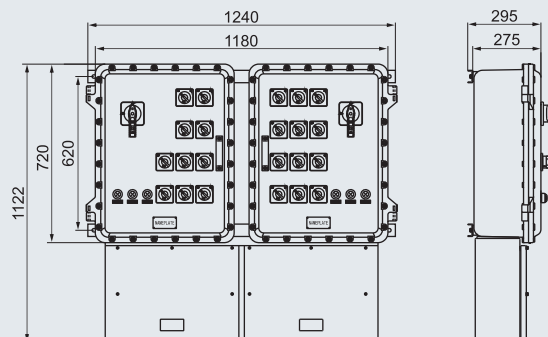
BXM(D)51-8/□/K/□



BXM(D)51-10/□/K/□



BXM(D)51-16/□/K/□



BXM(D)51-22/□/K/□

