

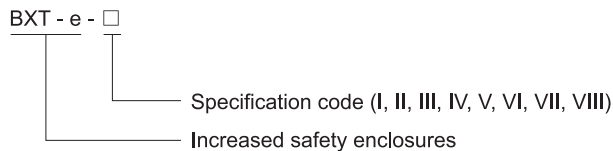
## Empty Enclosures

### BXT-e Series Increased Safety Enclosures (Ex e)



- ◆ Explosion protection to
  - CENELEC
  - IEC
  - NEC
- ◆ Can be used in
  - Zone 1 and Zone 2
  - Zone 21 and Zone 22
  - Class I, Zone 1 and Zone 2
  - Class I, Division 2, Groups A, B, C, D
- ◆ Copper-free aluminium enclosure (Ex e), 8 versions.
- ◆ Cable entries can be drilled and components can be installed by user on request.
- ◆ Safety shall be considered when installing components according to related electrical standards.
- ◆ Special requirements on request.

#### Catalogue number logic

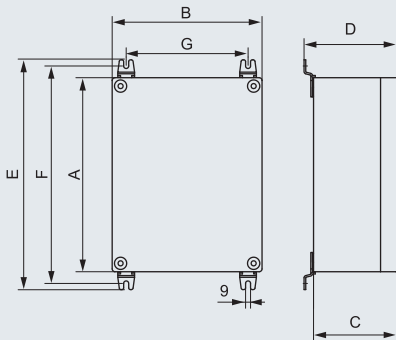


Technical data	
Increased safety enclosures	BXT-e-□
<b>Explosion protection</b>	
Gas explosion protection	⊕ II 2 G Ex e IIC Gb
Dust explosion protection	⊕ II 2 D Ex tb IIIC Db IP66
<b>Certificates</b>	LCIE 13 ATEX 3053X; IECEx CQM 13.0036U; RU C-CN.ГБ05.B.00345(CU-TR)
<b>Conformity to standards</b>	EN 60079-0, EN 60079-7, EN 60079-31 IEC 60079-0, IEC 60079-7, IEC 60079-31
<b>Degree of protection</b>	IP66
<b>Internal&amp;external earthing</b>	M6/M6
<b>Ambient temperature</b>	-60°C~+100°C
<b>Enclosure material</b>	Copper-free aluminium, powder coated surface, window grey (RAL7040)
<b>Exposed fastener</b>	Stainless steel

# Zones 1&2; 21&22

## Empty Enclosures BXT-e Series Increased Safety Enclosures (Ex e)

Selection table of BXT-e series increased safety enclosures (all dimensions in mm)

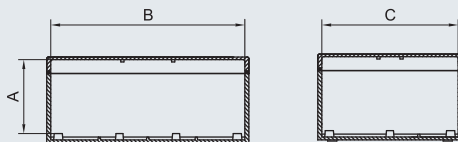


### Outline & Installation

Version	Outline dimensions				Installation dimensions		
	A	B	C	D	E	F	G
BXT-e-I	190	132	127	143	254	232	92
BXT-e-II	190	190	127	143	254	232	150
BXT-e-III	250	190	127	143	314	292	150
BXT-e-IV	250	250	127	143	314	292	210
BXT-e-V	300	200	150	167	364	342	150
BXT-e-VI	300	300	150	167	364	342	250
BXT-e-VII	350	250	150	167	414	392	200
BXT-e-VIII	502	350	150	167	566	544	300

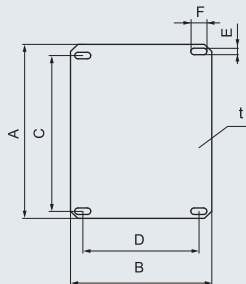
**Note:** Other dimensions on request

### Internal



Version	Dimensions			Weight (kg)
	A	B	C	
BXT-e-I	108	177	120	2.40
BXT-e-II	107	177	177	2.80
BXT-e-III	107	237	177	3.80
BXT-e-IV	107	235	235	5.10
BXT-e-V	130	286	186	5.80
BXT-e-VI	130	286	286	7.10
BXT-e-VII	130	336	236	7.00
BXT-e-VIII	130	488	336	9.50

### Mounting plate



Version	Dimensions						
	A	B	C	D	E	F	t
BXT-e-I	173	98	162	40	7	13	2
BXT-e-II	173	117	162	40	7	13	2
BXT-e-III	222	106	200	40	7	13	2
BXT-e-IV	220	160	200	124	7	13	2
BXT-e-V	270	170	210	110	7	13	2
BXT-e-VI	270	270	210	210	7	13	2
BXT-e-VII	320	220	260	160	7	13	2
BXT-e-VIII	470	320	402	260	7	13	2

