

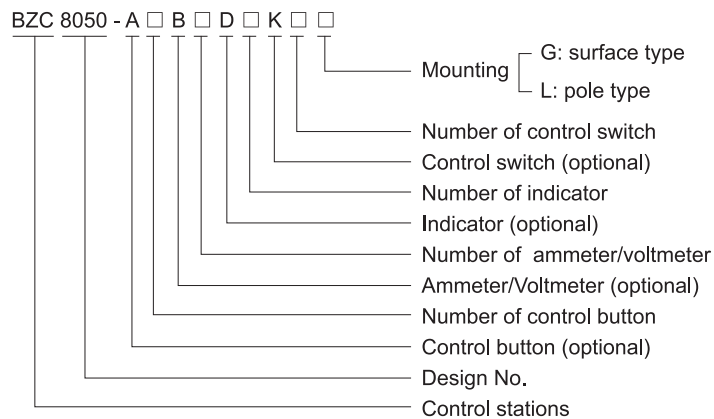
## Control Stations

### BZC8050 Series Control Stations (GRP)



- ◆ Explosion protection to
  - CENELEC
  - IEC
  - NEC
- ◆ Can be used in
  - Zone 1 and Zone 2
  - Zone 21 and Zone 22
  - Class I, Zone 1 and Zone 2
  - Class I, Division 2, Groups A, B, C, D
- ◆ GRP (glass fibre-reinforced polyester resin) enclosure.
- ◆ Four types of enclosure.

#### ■ Catalogue number logic



#### ■ Note

1. Please refer to the Selection table on P4/27.
2. Please select internal components as below:
  - Selection table of BA8050 control button on P4/38~41 (nominal contact is 1NO+1NC);
  - Selection table of BD8050 indicator on P4/42~44;
  - Selection table of BK8050 control switch on P4/45~50;
  - Selection table of BB8050 explosion-proof ammeter/voltmeter on P4/51~53;
3. Example: BZC8050-A2D2G
  - Components: Two control buttons, two indicators; surface type
  - Tech. Details: One start control button (40092B + 40090-1+40091-1, green, 1NO+1NC);
  - One stop control button (40092A+ 40090-1+40091-1, red, 1NO+1NC);
  - One indicator (40116+40100-2, green, 230V AC);
  - One indicator (40115+40099-2, red, 230V AC);
4. Special requirements on request.

# Zones 1&2; 21&22

## Control Stations BZC8050 Series Control Stations (GRP)

Selection table of control station BZC8050(GRP)				
Enclosure type	Components arrangement	Cable entries and direction	Ordering code	Enclosure weight (kg)
I		2-M25 x 1.5 Bottom entry	40074.....	1.30
II		1-M32 x 1.5 or 2-M25 x 1.5 Bottom entry	40075.....	2.10
III		1-M32 x 1.5 or 3-M25 x 1.5 Bottom entry	40076.....	3.25
IIIx		1-M40 x 1.5 or 2-M32 x 1.5 or 4-M25 x 1.5 Bottom entry	40077.....	3.25
IV		1-M40 x 1.5 or 2-M32 x 1.5 or 6-M25 x 1.5 Bottom entry	40078.....	4.15



## Control Stations

### BZC8050 Series Control Stations (GRP)

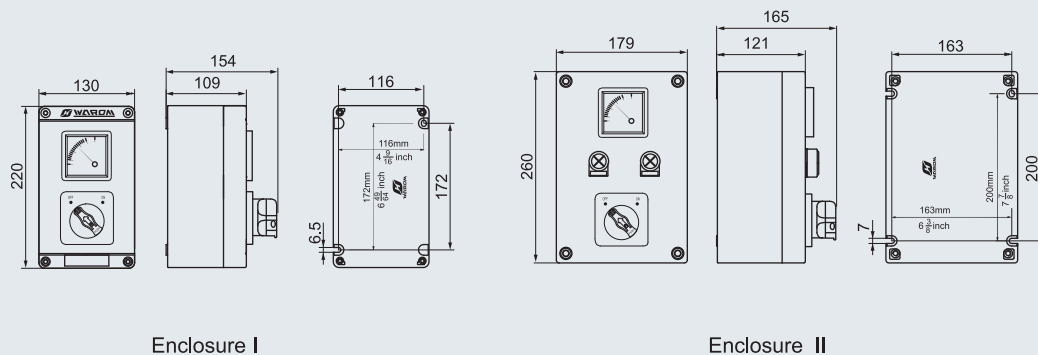
#### Technical data

#### Control stations BZC8050 (GRP)

<b>Explosion protection</b>	
Gas explosion protection	⊕ II 2 G Ex d e IIC T6 Gb
Dust explosion protection	⊕ II 2 D Ex tb IIIC T80°C Db IP65
<b>Certificates</b>	LCIE 09 ATEX 3099; IECEx CQM 11.0029
<b>Conformity to standards</b>	EN 60079-0, EN 60079-1, EN 60079-7, EN 60079-31 IEC 60079-0, IEC 60079-1, IEC 60079-7, IEC 60079-31
<b>Enclosure material</b>	GRP (glass fibre-reinforced polyester resin)
<b>Enclosure colour</b>	Black
<b>Exposed fastener</b>	Stainless steel
<b>Rated voltage</b>	Max. 415V AC
<b>Rated current</b>	Main circuit current: 6A (for BZC8050-A2D2, BZC8050-A2B1) 16A (for BZC8050-K1) 10A (for others)
<b>Degree of protection</b>	IP65
<b>Ambient temperature</b>	-20°C~+55°C
<b>Components</b>	1. Technical data of BA8050 control button on P4/38~41; 2. Technical data of BD8050 indicator on P4/42~44; 3. Technical data of BK8050 control switch on P4/45~50; 4. Technical data of BB8050 explosion-proof ammeter/voltmeter on P4/51~53;
<b>Cable entries</b>	M□ x 1.5 plug, please see the Selection table on P4/27
<b>Cable gland (optional)</b>	DQM-I (Ex e) is recommended. Please see P7/16
<b>Mounting</b>	Surface type Pole type (for enclosure I, II, III only)
<b>Note</b>	1. Please specify the number and size of entries (applicable for surface type only); 2. For pole type, only G1" entry is applicable;

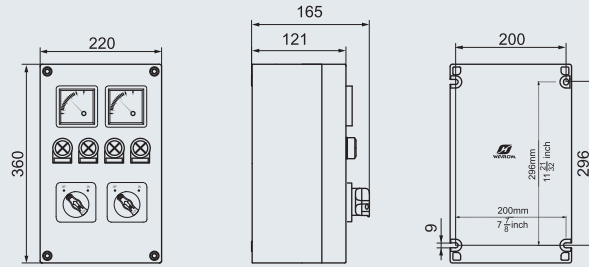


#### Dimension drawings (all dimensions in mm) - subject to alteration

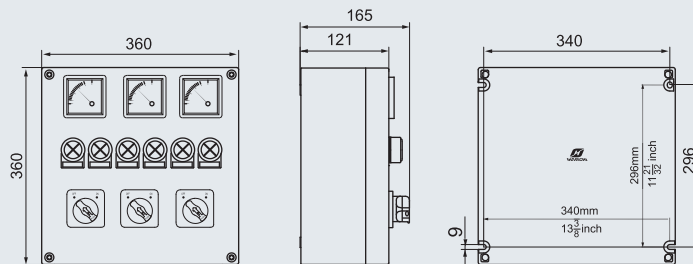


## Control Stations BZC8050 Series Control Stations (GRP)

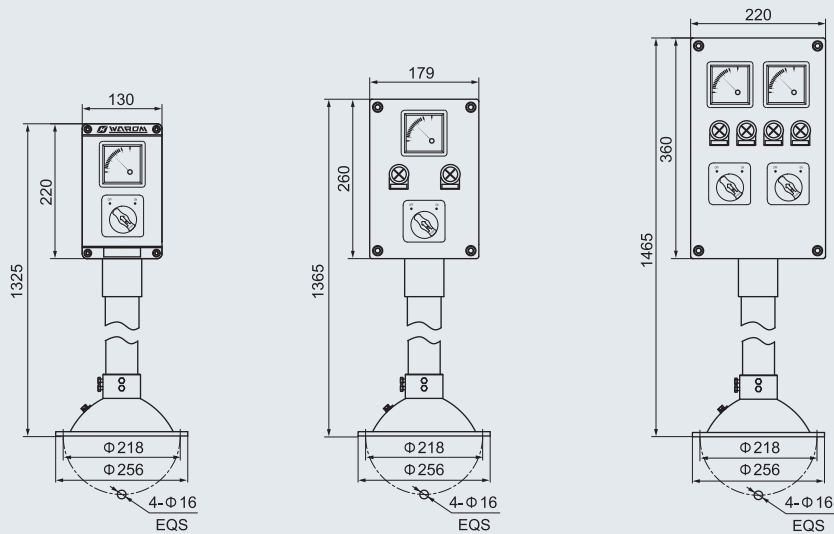
Dimension drawings (all dimensions in mm) - subject to alteration



Enclosure III



Enclosure IV



Pole type (for enclosure I, II, III only)

