

FAD-E 系列防水防尘防腐LED灯(A型)

Series Weatherproof LED Light Fittings (A Type)

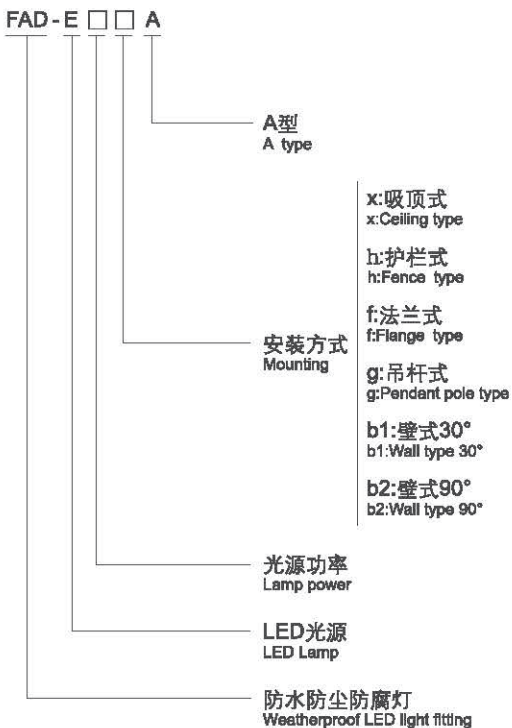


Weatherproof Light Fittings
防水防尘防腐灯具系列



GB IEC EN EAC

◆ 型号规格含义/Catalogue number logic



◆ 产品特点/Product features

- ◆ 铝合金压铸壳体, 表面高压静电喷塑;
- ◆ PC材质透明罩, 防眩光设计;
- ◆ 专利的隔热技术, 有效隔离热传导, 保证产品可靠工作;
- ◆ 配置多颗国际品牌LED模块, 合理排布, 单向发光, 光线均匀柔和, 光效高, 显色性高; 寿命长, 绿色环保;
- ◆ 特制的恒流恒压电源, 宽电压输入, 恒功率输出, 具有恒流、开路保护、短路保护等功能;
- ◆ 可根据要求配备应急装置, 作为应急事故照明用, 应急时间不小于60分钟;
- ◆ 钢管布线G3/4" ;
- ◆ 防腐等级: WF1、WF2(可选)。
- ◆ Die-casting aluminum alloy enclosure, high-voltage electrostatic powder coated surface.
- ◆ Light diffusion transparent cover, anti-glare
- ◆ Patented heat insulation technology, effectively isolating the heat conduction and keeping the product reliably work.
- ◆ Equipped with many international brands of LED modules, reasonable arrangement, unidirectional lighting, even and soft light, high luminous efficiency, high color rendering, long service life and environmental protection.
- ◆ Special constant current & constant voltage driving source, wide voltage input, constant power output, with functions of constant current, open circuit protection, short circuit protection, etc.
- ◆ Emergency device can be supplied on request for emergency lighting; emergency time not less than 60 minutes.
- ◆ Steel pipe wiring G3/4".
- ◆ Corrosion-proof: WF1, WF2 (Optional).

◆ 产品规格/Product specifications

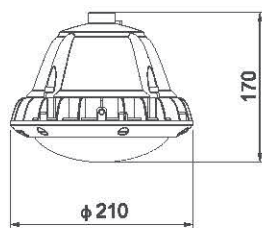
型号规格 Type	灯具功率 Lamp power	灯具光通量 Lamp luminous flux	壳体类型 Enclosure type	重量 Weight
FAD - E□□A	20W	1800lm	I	2.1kg
	30W	2700lm		
	50W	4600lm	II	3.2kg
	70W	6610lm		



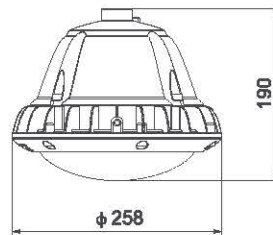
◆ 带应急功能参数/With emergency function parameters

应急启动时间(s) Emergency starting time	充电时间(h) Charging time	应急功率(w) Emergency power	应急照明时间(min) Emergency lighting time
< 0.3	24	< 70	< 60

◆ 外形尺寸/Outline dimension (mm)



I 型/Type I



II 型/Type II

◆ 订货须知/Ordering Information

- ◇ 注明执行标准、工作电压、环境温度；
- ◇ 按照产品型号规格说明逐条选择，例如：需要LED灯70W吊杆式安装，则产品选型为FAD-E70g A；
- ◇ 如需加装应急装置时请注明；
- ◇ 本灯具出厂时光源已配。
- ◇ Specify the executive standard, working voltage, environment temperature;
- ◇ Follow the product catalogue number logic for selection. For example:
installation for 70W LED lamp, pendant pole type, the product type shall be FAD-E70g A.
- ◇ If the emergency device is required, please specify when ordering.
- ◇ The light fittings are supplied with light source.

FAD-E 系列防水防尘防腐LED灯(A型)

Series Weatherproof LED Light Fittings (A Type)



Waterproof



Dustproof



Corrosionproof

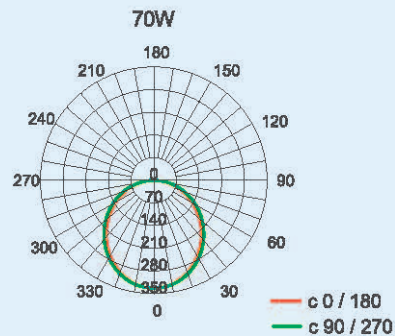
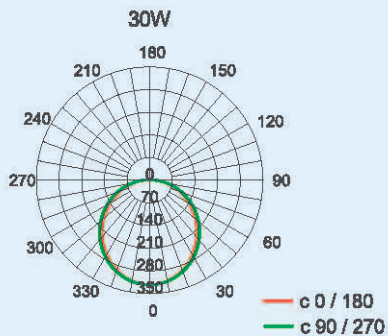
Weatherproof Light Fittings
防水防尘防腐灯具系列

技术参数/Technical Parameters

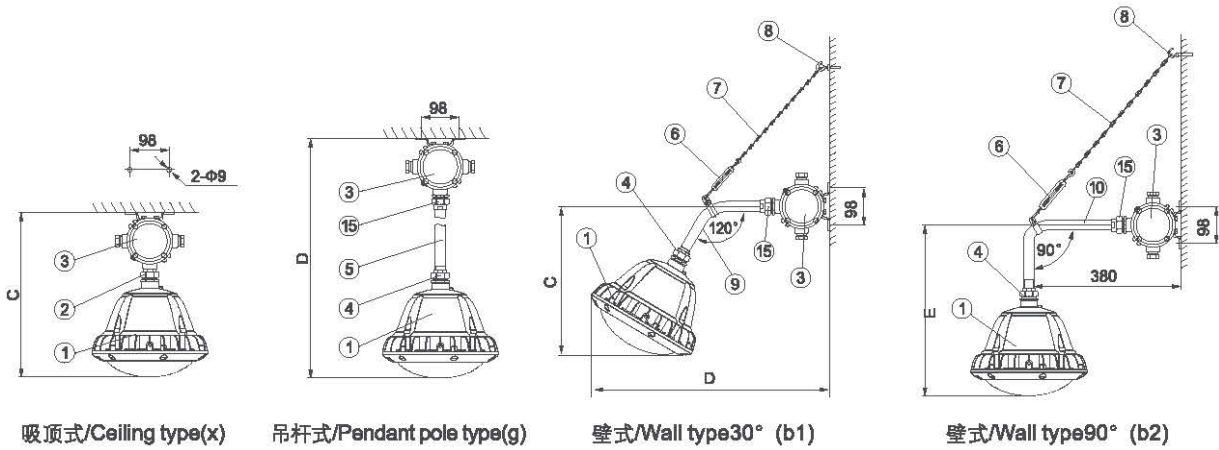


执行标准 / Executive standards	中国GB标准 Chinese GB standards	国际IEC标准 / International IEC standards 欧盟EN标准 / European EN standards 北美标准/American standards
额定电压 / Rated voltage	220V~240V AC 50Hz / 60Hz	100V~277V AC 50Hz / 60Hz
环境温度 / Ambient temperature	-40℃~+45℃	-60℃~+60℃
防护等级 / Degree of protection	IP66	
引入装置 / Cable gland	G3/4"引入口规格, 适合Φ10mm~Φ14mm电缆 G3/4"suitable for cable of Φ10mm~Φ14mm	
接线端子 / Terminal	< 2.5mm ² 导线可靠连接 / < 2.5mm ² Reliable connection wire	
安装方式 / Mounting	吸顶式(x)、吊杆式(g)、法兰式(f)、护栏式(h)、壁式30° (b1)、壁式90° (b2) Ceiling type(x), Pendant pole type(g), Flange type(f), Fence type(h), Wall type30° (b1), Wall type90° (b2)	

配光曲线 / Luminous intensity distribution cd/1000lm



◆ 外形及安装举例/Outline and mounting type



吸顶式/Ceiling type(x)

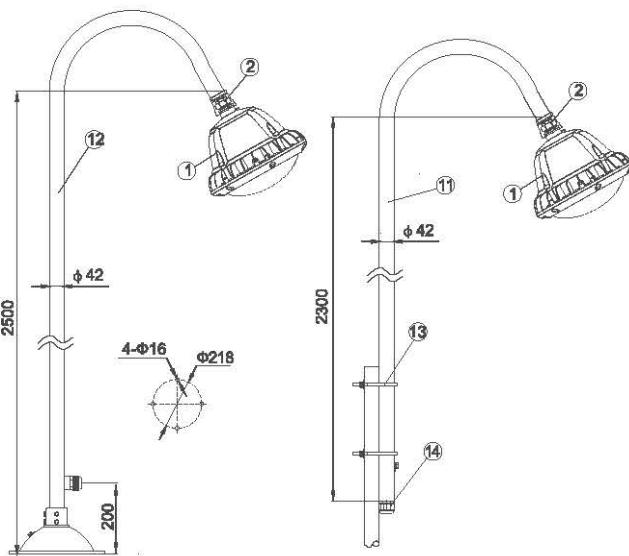
吊杆式/Pendant pole type(g)

壁式/Wall type30° (b1)

壁式/Wall type90° (b2)



Weatherproof Light Fittings
防水防尘防腐灯具系列



法兰式/Flange type(f)

护栏式/Fence type(h)

序号 No.	名称 Name	备注 Remark
1	FAD-E防水防尘防腐LED灯(A型) FAD-E Weatherproof LED light fittings(A Type)	
2	防腐活接头FHJ-G $\frac{3}{4}$ "(外)/ $\frac{3}{4}$ "(外) Weatherproof flexible connector FHJ- G3/4" (male) G3/4" (male)	
3	防水防尘防腐接线盒FHD-G $\frac{3}{4}$ "K Weatherproof junction box FHD-G3/4"K	
4	防腐活接头FHJ-G $\frac{3}{4}$ "(外)/ $\frac{3}{4}$ "(内) Weatherproof flexible connector FHJ- G3/4" (male) G3/4" (female)	用户自备 supplied by user
5	直杆G $\frac{3}{4}$ " Straight pole G $\frac{3}{4}$ "	300mm
6	CC型家具螺旋扣 CC type rigging spiral buckle	
7	链条 Chain	450mm
8	膨胀螺钉 Expansion screw	
9	30°弯杆G $\frac{3}{4}$ " 30° bend pole G3/4"	300mm
10	90°弯杆G $\frac{3}{4}$ " 90° bend pole G3/4"	400mm
11	护栏杆G1 $\frac{1}{4}$ " fence pole G1 1/4"	
12	法兰杆G1 $\frac{1}{4}$ " flange pole G1 1/4"	
13	U型管夹 U type pipe clamps	用户自备 Supplied by user
14	三防密封接头FQM- I -G $\frac{3}{4}$ " Weatherproof cable gland FQM-I- G3/4"	
15	压紧装置 Hold-down gear	用户自备 Supplied by user

壳体类型 / Enclosure type	C	D	E	F	G
I 型/Type I	342	612	210	635	375
II 型/Type II	357	627	225	650	390