

FAD-T 系列防水防尘工矿灯(A型)

Series Weatherproof Industrial Light Fittings (A Type)



Waterproof



Dustproof



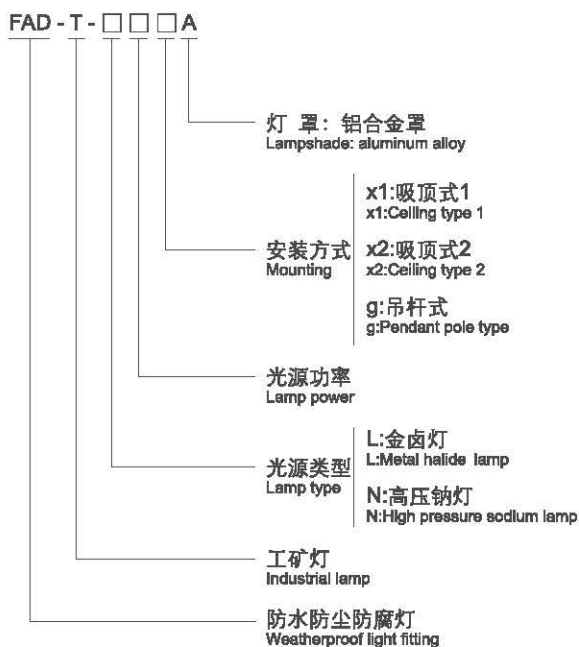
Corrosionproof

Weatherproof Light Fittings
防水防尘防腐灯具系列



GB IEC EN EAC

◆ 型号规格含义/Catalogue number logic

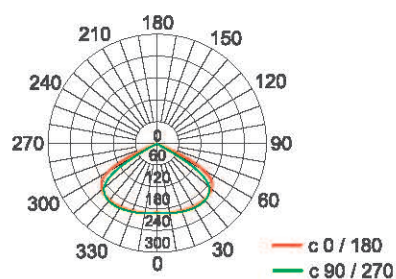


◆ 产品特点/Product features

- ◆ 铝合金压铸壳体, 表面高压静电喷塑;
- ◆ 铝合金灯罩;
- ◆ 镇流器、光源、内部附件与灯具一体式设计, 使用安装方便;
- ◆ 防腐等级: WF1、WF2 (可选)。
- ◆ Die-casting aluminum alloy enclosure, high-voltage electrostatic powder coated surface.
- ◆ Aluminum alloy lampshade.
- ◆ The ballast, lamp, internal components and lamp are of integrated type, easy for mounting.
- ◆ Corrosion-proof: WF1, WF2 (Optional).

◆ 配光曲线/Luminous intensity distribution

cd/1000lm



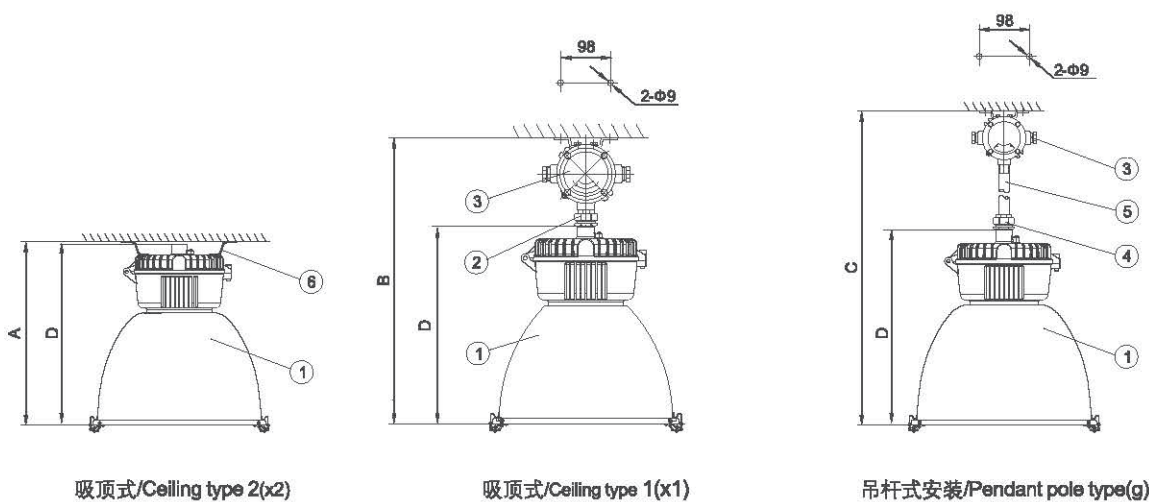
◆ 技术参数/Technical parameters

执行标准 Executive standards	中国GB标准 Chinese GB standards	国际IEC标准 / International IEC standards 欧盟EN标准 / European EN standards	
额定电压 Rated voltage	220V AC 50Hz、60Hz(可选/Optional)	220V~240V AC 50Hz、60Hz(可选/Optional)	
环境温度 Ambient temperature	-40℃~+45℃	-60℃~+60℃	
防护等级 Degree of protection	IP65		
引入装置 Cable gland	G3/4"引入规格, 适合Φ10mm~Φ14mm电缆 G3/4"suitable for cable of Φ10mm~Φ14mm		
接线端子 Terminal	<2.5mm ² 导线可靠连接 / <2.5mm ² Reliable connection wire		
安装方式 Mounting	吸顶式1(x1)、吸顶式2(x2)、吊杆式(g) Ceiling type1(x1)、Ceiling type2(x2),P endant pole type(g)		
光源功率 Lamp power	N70W N110(100)W L70W L100W L150W	N150W N250W L250W	N400W L400W
灯座规格 Lampholder specification	E27	E40	
壳体类型 Enclosure type	I	II	III
灯具重量 Wieght of light fitting	4.5kg	7kg	12kg



Weatherproof Light Fittings
防水防尘防腐灯具系列

◆ 外形及安装举例/Outline and mounting type



尺寸 / Size	A	B	C	D
壳体 Enclosure				
I 型 Type I	465	627	897	460
II 型 Type II	515	677	947	510
III 型 Type III	525	687	957	520

序号 No.	名称 Name	备注 Remark
1	FAD-T防水防尘工矿灯(A型) FAD-T Weatherproof Industrial Lamps(A Type)	
2	防腐活接头FHJ-G 3/4"(外)/G 3/4"(外) Weatherproof flexible connector FHJ- G3/4" (male)/ G3/4" (male)	
3	防水防尘防腐接线盒FHD-G 3/4"K Weatherproof junction box FHD-G3/4"K	
4	防腐活接头FHJ-G 3/4"(内)/G 3/4"(外) Weatherproof flexible connector FHJ- G3/4" (female)/ G3/4" (male)	用户自备 Supplied by user
5	直杆G 3/4" Straight pole G 3/4"	300mm
6	安装架 Mounting frame	