

FAY 系列防水防尘防腐全塑荧光灯

Series Weatherproof Light Fittings for Fluorescent Lamps

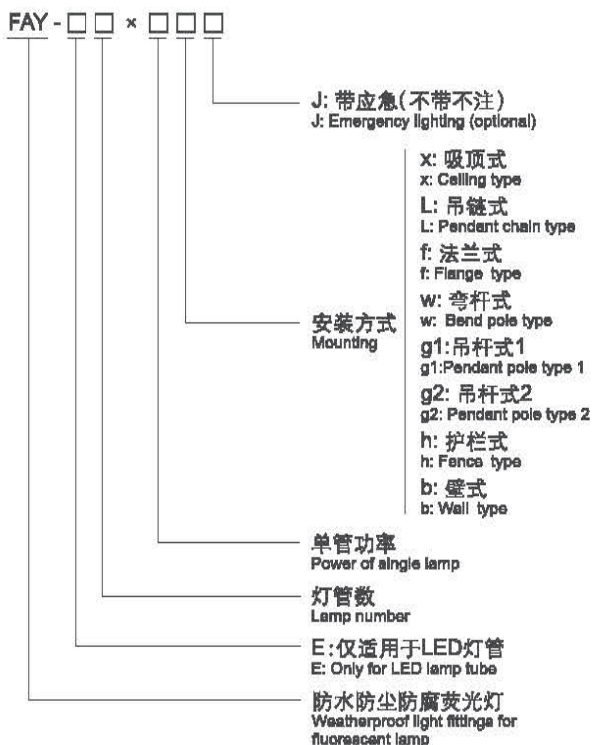


Weatherproof Light Fittings
防水防尘防腐灯具系列



GB IEC EN EAC

◆ 型号规格含义/Catalogue number logic



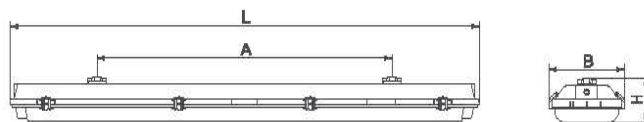
◆ 产品特点/Product features

- ◆ 工程塑料注射模压外壳, 具有较强的抗冲击能力;
- ◆ 优质PC材料成型透明罩, 专业的配光条棱设计, 可使配光曲线更加合理, 有效避免了眩光, 使光线更加均匀柔和;
- ◆ 曲路密封结构, 密封性能好, 多点卡扣扣合, 开闭方便, 便于维修;
- ◆ 电子镇流器, 高功率因数;
- ◆ 可根据要求配装应急装置, 作为应急事故照明用, 应急时间不小于90分钟;
- ◆ 常规灯具装荧光灯管, 可选装LED灯管;
- ◆ 防腐等级: WF2.
- ◆ Enclosure is formed of engineering plastic through injection, with strong impact resistance performance.
- ◆ High quality PC material injection transparent cover, prismatic type light distribution, reasonable light distribution, anti-glare, soft light.
- ◆ Labyrinth seal structure, good sealing performance, multi-point clip locking, convenience for opening and closing, easy for maintenance.
- ◆ Electronic ballast, high power factor.
- ◆ Emergency device can be supplied on request for emergency lighting, emergency time is not less than 90 minutes .
- ◆ General light fittings equip with fluorescent lamp tube, can choose LED lamp tube;
- ◆ Corosion-proof: WF2.

◆ 产品规格/Product specifications

型号规格 Type	光源功率 Lamp power		光源光通量 Light source luminous flux		壳体类型 Enclosure type	灯具重量 Weight of light fitting	
	荧光灯管 Fluorescent lamp tube	LED灯管 LED Lamp tube	荧光灯管 Fluorescent lamp tube	LED灯管 LED lamp tube		荧光灯 Fluorescent lamp	LED灯 LED Lamp
FAY-□□ × □	1 × 18W	1 × 9W	1300lm	1080lm	I	1.8kg	1.6kg
	2 × 18W	2 × 9W	2600lm	2160lm	II	2.5kg	2.3kg
	1 × 28W	1 × 18W	2800lm	2160lm	III	2.9kg	2.7kg
	1 × 36W		3250lm				
	2 × 28W	2 × 18W	5340lm	4320lm	IV	3.6kg	3.4kg
	2 × 36W		6500lm				
	1 × 58W	1 × 28W	5000lm	3380lm	V	3.8kg	3.8kg
	2 × 58W	2 × 28W	10000lm	6720lm			

◆ 外形尺寸/Outline dimension (mm)



壳体类型/Enclosure type	L	A	H	B	E
I	655	500	125	120	450
II	655	500	125	185	450
III	1264	800	125	120	900
IV	1264	800	125	185	900
V	1568	1200	105	168	1300

◆ 订货须知/Ordering Information

- ◇ 注明执行标准、工作电压、环境温度；
- ◇ 按照产品型号规格说明逐条选择，例如：需要双管36W吸顶式安装，则产品选型为FAY - 2 × 36 x；
- ◇ 供货LED灯具时，出厂配置LED光源；其他灯具出厂时不配光源，由用户自配，建议配置飞利浦、欧司朗品牌；
- ◇ 如需加装应急装置时请注明（应急时只有单只灯管工作）；
- ◇ 常规配置为电缆布线，如需钢管布线请注明。
- ◇ Specify the executive standard, Chinese National standard, environment temperature.
- ◇ Follow the product catalogue number logic for selection. For example:
36W fluorescent lamps with two tubes, ceiling type, the product type shall be FAY - 2x 36 x.
- ◇ LED light fittings are supplied with LED lamp. Other light fittings are supplied without light source. Philips, Osram Brand is recommended.
- ◇ If the emergency device is required, please specify when ordering. (Only one lamp tube works for emergency.)
- ◇ Generally, cable wiring is provided, please specify if steel pipe wiring is needed.



Weatherproof Light Fittings
防水防尘防腐灯具系列

FAY 系列防水防尘防腐全塑荧光灯

Series Weatherproof Light Fittings for Fluorescent Lamps



Waterproof



Dustproof



Corrosionproof

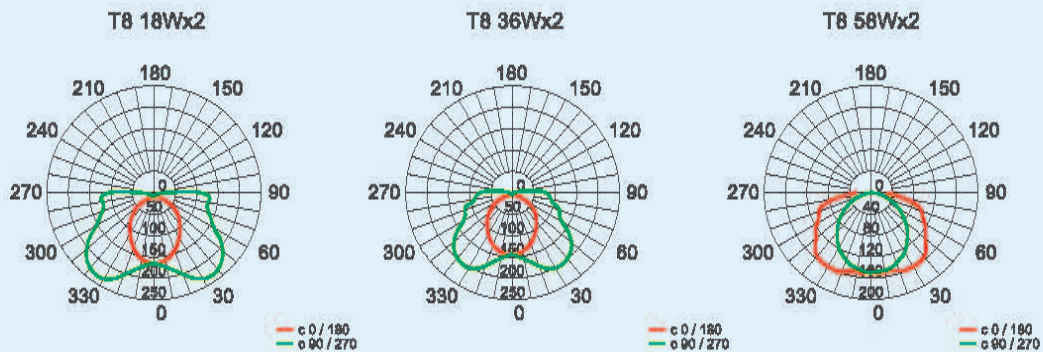
Weatherproof Light Fittings
防水防尘防腐灯具系列

技术参数/Technical Parameters



执行标准 / Executive standards	中国GB标准 Chinese GB standards	国际IEC标准 / International IEC standards 欧盟EN标准 / European EN standards 北美标准/American standards
额定电压 / Rated voltage	220V~240V AC 50Hz / 60Hz	100V~277V AC 50Hz / 60Hz
环境温度 / Ambient temperature	-25℃~+45℃	荧光灯/Fluorescent light fittings: -40℃~+55℃ LED灯/LED light fittings: -60℃~+55℃
防护等级 / Degree of protection	IP66	
引入装置 / Cable gland	I-IV: 2 × M25 × 1.5 Inlet specification 引入规格, 适合 Applicable to Φ9mm~Φ16mm cable 电缆 V: 2 × M20 × 1.5 Inlet specification 引入规格, Applicable to 适合Φ6mm~Φ12mm cable 电缆	
接线端子 / Terminal	< 2.5mm ² 导线可靠连接 (< 4mm ² 可选) < 2.5mm ² Reliable connection wire (< 4mm ² is optional)	
安装方式 / Mounting	吸顶式(x)、吊杆式1(g1)、吊杆式2(g2)、吊链式(L)、法兰式(f)、护栏式(h)、弯杆式(w)、壁式(b) Ceiling type (x), pendant pole type 1(g1), pendant pole type 2(g2), pendant chain type (L), flange type (f), fence type (h), bend pole type (w), wall type (b)	

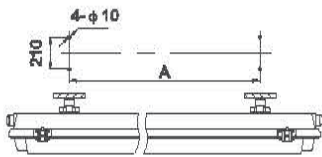
配光曲线 / Luminous Intensity distribution cd/1000lm



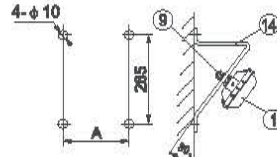
◆外形及安装举例/Outline and mounting type



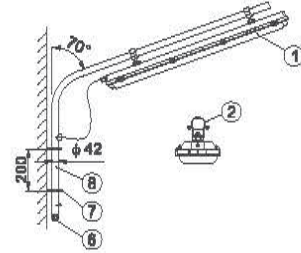
Weatherproof Light Fittings
防水防尘防腐灯具系列



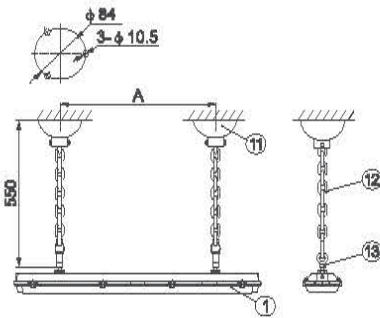
吸顶式/Ceiling type(x)



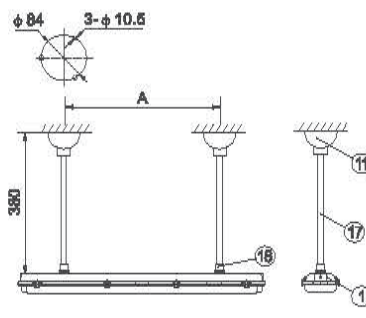
壁式/Wall type(b)



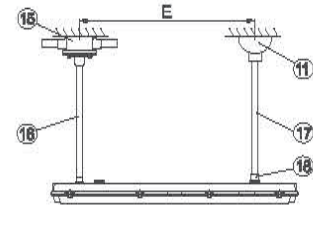
弯杆式/Bend pole type(w)



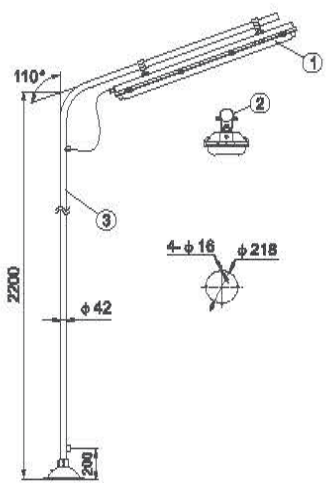
吊链式
Pendant chain type(L)



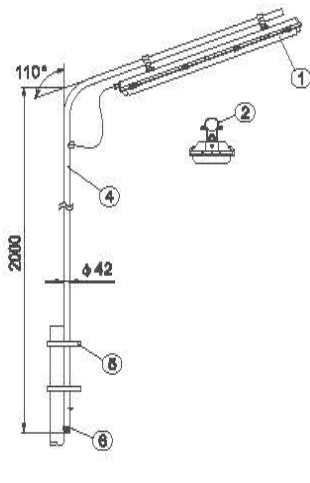
吊杆式1(侧进线)(g1)
Pendant pole type1(side entry)(g1)



吊杆式2(上进线)(g2)
Pendant pole type2(top entry)(g2)



法兰式/Flange type(f)



护栏式/Fence type(h)

序号 No.	名称 Name	备注 Remark
1	FAY防水防尘防腐全铝荧光灯 FAY Weatherproof Light Fittings for Fluorescent Lamp	
2	安装架、管夹 Mounting frame, pipe clamps	
3	法兰杆 G1 1/4" Flange rod G1 1/4"	
4	护栏杆 G1 1/4" Fence pole G1 1/4"	
5	U型管夹 U type pipe clamps	用户自备 supplied by user
6	三防密封接头 FQM-I-G 3/4" Weatherproof cable gland FQM-I-G 3/4"	
7	固定架 Fixed bracket	
8	弯杆 G1 1/4" Bend pole G1 1/4"	
9	螺栓 M8 Bolt M8	
10	安装架 Mounting frame	
11	吸盘 Bucker	
12	链条 Chain	460mm
13	吊环螺钉 M8 × 12 MBX12 Eyebolt	
14	三角安装架 Triangle mounting frame	
15	防水防尘防腐接线盒 FHD-G 3/4" G Weatherproof junction box FHD-G3/4"G	二进吊 Two entries hang type
16	直杆 G 3/4" Straight pole G 3/4"	280mm
17	直杆 G 3/4" Straight pole G 3/4"	300mm
18	联轴器 Couplings	