

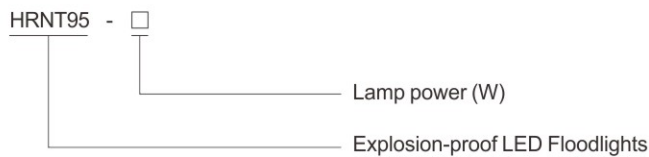
LED Light Fittings

HRNT95 Series Explosion-proof LED Floodlights



- ◆ Explosion protection to
 - CENELEC
 - IEC
 - NEC
- ◆ Can be used in
 - Zone 2
 - Zone 22
 - Class I, Zone 2
 - Class I, Division 2, Groups A, B, C, D
- ◆ Applicable lamp and power (max.300W)
LED: 80W, 120W, 240W, 300W
- ◆ International brand white light LED, reasonable arrangement of multi LED, high lighting efficiency and long service life.
- ◆ Two types of light distribution: spotlight and floodlight, which can be selected on request.
- ◆ Standard luminaries equip with 60° lens, 30° lens which is optional, please indicate when placing an order.
- ◆ Low-maintenance due to long service life is up to 100,000 operating hours.

■ Catalogue number logic



■ Selection table

Type/Ordering code	Lamp power (W)	Weight (kg)	Type/Ordering code	Lamp power (W)	Weight (kg)
HRNT95-80	80	10.00	HRNT95-240	240	12.50
HRNT95-120	120	11.00	HRNT95-300	300	13.00

Note: 1. Standard products with 60° lens, 30° lens which is optional, please indicate when placing an order.
2. Standard luminaries do not equip with wire guard, if need, please specify.

Zones 2; 22



LED Light Fittings

HRNT95 Series Explosion-proof LED Floodlights

Technical data

Explosion-proof LED floodlights HRNT95-□

Explosion protection

Global (IECEX)	IECEX EUT 18.0003X
Gas and dust	Ex nR IIC T□ ¹⁾ Gc Ex tc IIIC T□ ¹⁾ Dc IP66
Europe (ATEX)	EPTI 18 ATEX 0344X
Gas and dust	⊕ II 3 G Ex nR IIC T□ ¹⁾ Gc ⊕ II 3 D Ex tc IIIC T□ ¹⁾ Dc IP66

¹⁾ See Selection Table

Certificates

IECEX; ATEX; CU-TR

Conformity to standards

EN 60079-0, EN 60079-15, EN 60079-31
IEC 60079-0, IEC 60079-15, IEC 60079-31

Material

Enclosure	Copper-free Aluminium Alloy, powder coated surface,
Glass cover	Toughened glass, stands 4J impact
LED driver	Wide voltage input, CC-CV (constant current - constant voltage) output, power factor ≥ 0.95, with function of distributed current, constant current, surge-proof and anti-electromagnetic interference, and protection against overcurrent, open circuit, and short circuit.
Exposed fastener	Stainless steel

Lamp

Lamp specification	LED module, Multiple LED
Lamp power (W)	80W, 120W, 240W, 300W
Colour rendering index (Ra)	≥ 80
Colour temperature (CCT)	5000K

Note: nature white is available in general. Warm white is optional, please specify when ordering.

Rated voltage

100~277V AC 50/60Hz, 130~250V DC

Degree of protection

IP66

Ambient temperature

-40°C~+55°C

Terminal

3 x 1.5~4mm² (L+N+PE)

Cable entries

1x M20 x 1.5 cable gland (DQM-I Ex e)



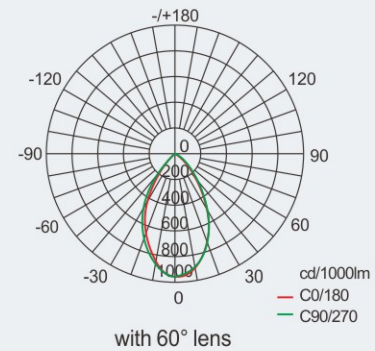
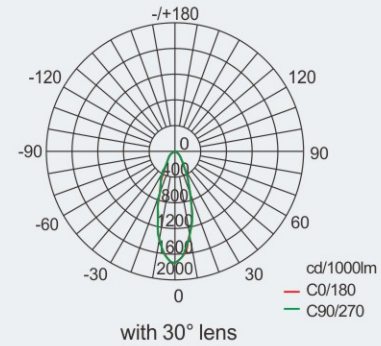
Selection table

Rated power(W)	Temperature classification			
	-40°C ≤ Ta ≤ +40°C		-40°C ≤ Ta ≤ +55°C	
	Gas	Dust	Gas	Dust
80	T6	T80°C	T6	T80°C
120, 240, 300			T5	T95°C

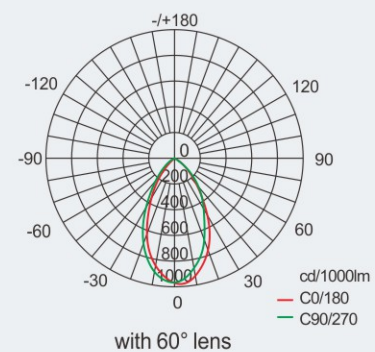
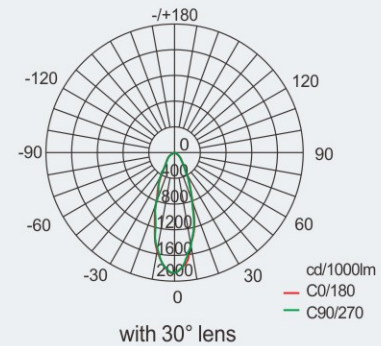
LED Light Fittings HRNT95 Series Explosion-proof LED Floodlights

Photometric data Note: Standard products with 60° lens, 30° lens which is optional, please indicate when placing an order.

Lamp power (W)	Luminous flux	Wattage
80W	9900lm	80W
120W	14150lm	120W



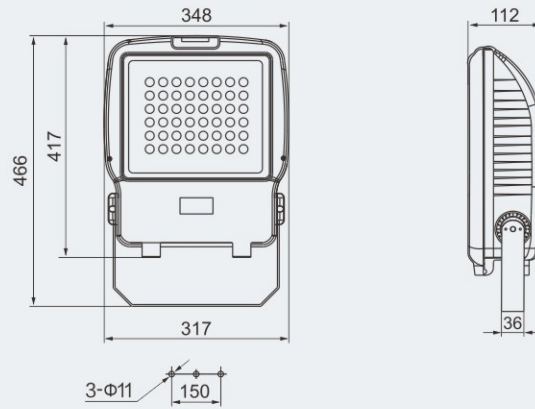
Lamp power (W)	Luminous flux	Wattage
240W	28050lm	242W
300W	33600lm	300W



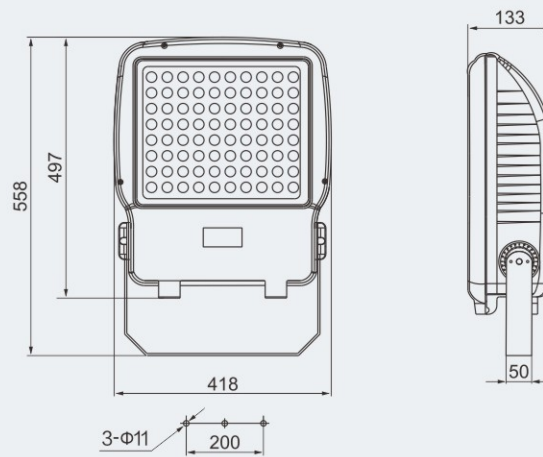
We can provide lighting design and data by professional lighting software DIALUX based upon simulated site situation on request.

LED Light Fittings HRNT95 Series Explosion-proof LED Floodlights

Dimension drawings (all dimensions in mm) - subject to alteration



HRNT95-80 / HRNT95-120



HRNT95-240 / HRNT95-300



Accessories

Picture	Name	Ordering code	Weight (kg)
	80W/120W Wire guard	95009	0.40
	240W/300W Wire guard	95010	0.55