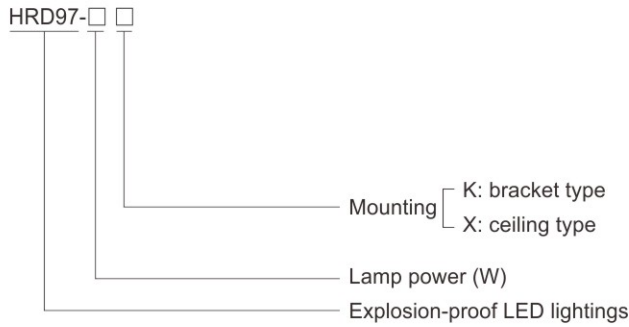


LED Light Fittings HRD97 Series Explosion-proof LED Lightings



- ◆ Explosion protection to
 - CENELEC
 - IEC
 - NEC
- ◆ Can be used in
 - Zone 1 and Zone 2
 - Zone 21 and Zone 22
 - Class I, Zone 1 and Zone 2
 - Class I, Division 1, Groups A, B, C, D
- ◆ Applicable lamp and power (max.20W)
 - LED : 10W, 20W
- ◆ Isolated LED lamp compartment, CC-CV (constant current - constant voltage) power controller compartment and terminal compartment; Wind-convection heat dissipation structure
- ◆ Low-maintenance due to long service life is up to 100,000 operating hours.

■ Catalogue number logic



■ Selection table

Type / Ordering code	Lamp power(W)
HRD97-10 □	10
HRD97-20 □	20

Note: 1. Products above include all the mounting accessories listed in Mounting Accessories & Spare Parts Table (see P2/67).
 2. The product is supplied according to "Type/Ordering code" in the table with mounting accessories.

Zones 1&2; 21&22

LED Light Fittings

HRD97 Series Explosion-proof LED Lightings

Technical data

Explosion-proof LED lightings HRD97-□□

Explosion protection

Global (IECEX)
Gas and dust

IECEX (applied for)

Ex db eb IIC T6 Gb

Ex db IIC T6 Gb

Ex tb IIIC T80°C Db IP66

Europe (ATEX)

ATEX (applied for)

Gas and dust

⊕ II 2 G Ex db eb IIC T6 Gb

⊕ II 2 G Ex db IIC T6 Gb

⊕ II 2 D Ex tb IIIC T80°C Db IP66

Certificates

IECEX; ATEX; CU-TR

Conformity to standards

EN 60079-0, EN 60079-1, EN60079-7, EN 60079-28, EN 60079-31

IEC 60079-0, IEC 60079-1, IEC60079-7, IEC 60079-28, IEC 60079-31

Material

Enclosure
Transparent cover
Exposed fastener
LED driver

Copper-free aluminium alloy, powder coated surface, yellow (RAL1021)

Toughened glass, stands 4J impact

Stainless steel

Wide voltage input, CC-CV (constant current - constant voltage) output, power factor ≥ 0.95 , with function of distributed current, constant current, surge-proof and anti-electromagnetic interference, and protection against overcurrent, open circuit, and short circuit

Lamp

Lamp specification
Lamp power (W)
Colour rendering index (Ra)
Colour temperature (CCT)

Integrated LED, Multiple LED

10W, 20W

≥ 80

5700K

Note: cool white is available in general. Warm white or nature white is optional, please specify when ordering.

Rated voltage

100~277V AC 50/60Hz

Earthing protection

M5 (internal & external earth bolts)

Degree of protection

IP66

Ambient temperature

T6/T80°C for Tamb: -40°C~+40°C

Terminal

3 x 1.5~4mm² (L+N+PE)

Mounting

Bracket type, ceiling type

Cable entries

M25 x 1.5

Cable gland

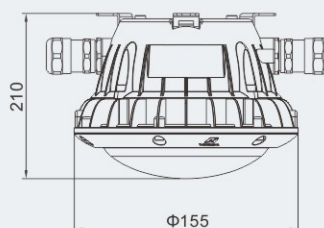
See Mounting Accessories & Spare Parts Table

Available cable outer diameter

Φ 10~Φ 14(mm)



Dimension drawings (all dimensions in mm) - subject to alteration



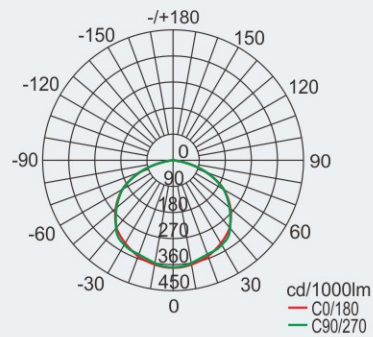
LED Light Fittings HRD97 Series Explosion-proof LED Lightings

Photometric data Note: LED luminous flux is from the standard product of which colour temperature is 5700K



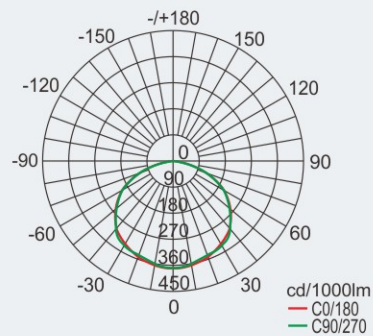
HRD97-10□

Lamp power (W)	Luminous flux	Wattage
10	1200lm	10W



HRD97-20□

Lamp power (W)	Luminous flux	Wattage
20	2500lm	21W



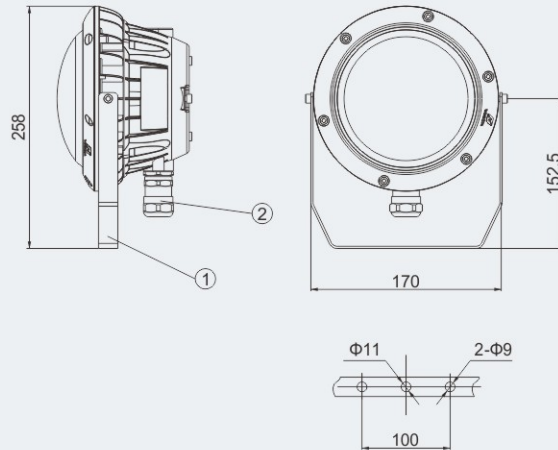
We can provide lighting design and data by professional lighting software DIALUX based upon simulated site situation on request.

LED Light Fittings

HRD97 Series Explosion-proof LED Lightings

Mounting type (all dimensions in mm) - subject to alteration

K: bracket type

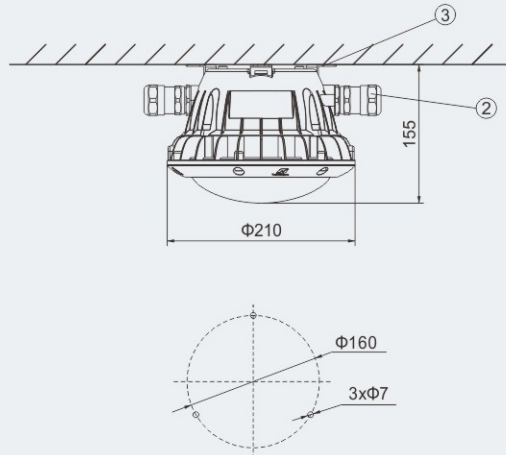


Weight: 3.80kg

Accessories supplied with the light fittings:

- ①. Mounting bracket, Stainless steel.
- ②. Explosion-proof cable glands are provided by user.
DQM-I (Ex e) is recommended, please see P7/17-19.

X: ceiling type



Weight: 3.32kg

Accessories supplied with the light fittings:

- ②. Explosion-proof cable glands are provided by user.
DQM-I (Ex e) is recommended, please see P7/17-19.
- ③. Mounting feet, Stainless steel.

