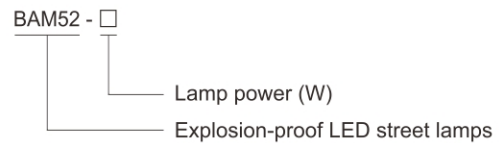


Street Lamps BAM52 Series Explosion-proof LED Street Lamps

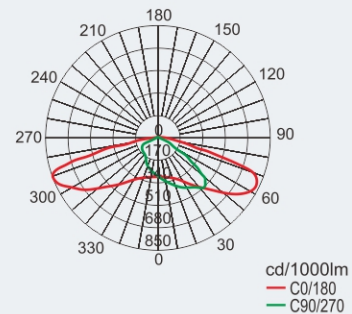
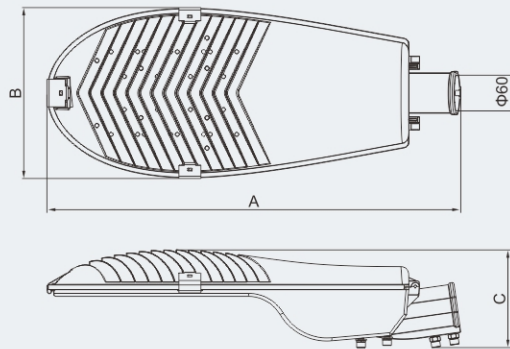


- ◆ Explosion protection to
 - CENELEC
 - IEC
 - NEC
- ◆ Can be used in
 - Zone 2
 - Zone 21 and Zone 22
- ◆ Please refer to mounting schematic diagram to select right lamp and mounting types on request of job site.
- ◆ Please refer to this catalogue for detailed technical data and ordering information of each light fitting.
- ◆ The street lamp is supplied without pole; please specify when ordering.

Catalogue number logic



Dimension drawings (all dimensions in mm) - subject to alteration



Type/Ordering code	Size(mm)			Weight (kg)	Rated luminous flux
	A	B	C		
BAM52-60	655	268	150	4.7	9636lm
BAM52-80					13113lm
BAM52-100	752	310	178	7.4	16632lm
BAM52-120					20139lm
BAM52-150	863	359	199	10.7	24916lm
BAM52-160					26588lm
BAM52-180				10.9	29921lm
BAM52-200					32614lm

We can provide lighting design and data by professional lighting software DIALUX based upon simulated site situation on request

Zones 2; 21&22

Street Lamps

BAM52 Series Explosion-proof LED Street Lamps

Technical data

Explosion-proof LED street lamps BAM52-□

Explosion protection

Global (IECEX)	IECEX CNEX 23.0002X
Gas and dust	Ex nR IIC T6...T5 Gc Ex tb IIIC T80°C...T95°C Db
Europe (ATEX)	CNEX 23 ATEX 0004 X (gas); CNEX 23 ATEX 0005 X(dust)
Gas and dust	⊕ II 3 G Ex nR IIC T6...T5 Gc ⊕ II 2 D Ex tb IIIC T80°C...T95°C Db

Certificates

IECEX; ATEX

Conformity to standards

EN 60079-0, EN 60079-15, EN 60079-31
IEC 60079-0, IEC 60079-15, IEC 60079-31

Material

Enclosure	Aluminium Alloy, powder coated surface
Glass cover	Toughened glass, stands 4J impact
LED driver	Wide voltage input, CC-CV (constant current - constant voltage) output, power factor ≥ 0.95 , with function of distributed current, constant current, surge-proof and anti-electromagnetic interference, and protection against overcurrent, open circuit, and short circuit
Exposed fastener	Stainless steel

Lamp

Lamp specification	LED module, Multiple LED
Lamp power (W)	60W, 80W, 100W, 120W, 150W, 160W, 180W, 200W
Colour Temperature (CCT)	Cool white: 5700K Note: cool white is available in general. Warm white or nature white is optional, please specify when ordering.

Rated voltage

100~277V AC 50/60Hz, 130~250V DC

Degree of protection

IP66

Ambient temperature

-40°C~+55°C(+45°C)

Terminal

3×1.5~4mm² (L+N+PE)

Mounting

street lamp type

Cable entries

1×M20×1.5 cable gland (DQM-I Ex eb, metal unarmored)



Selection table for BAM52-□

Type of production	Rated power	Ambient temperature / temperature classification			
		Ta \leq +45°C		Ta \leq +55°C	
BAM52-60	60W	--	--	T6	T80°C
BAM52-80	80W				
BAM52-100	100W				
BAM52-120	120W				
BAM52-150	150W	T6	T80°C	T5	T95°C
BAM52-160	160W				
BAM52-180	180W				
BAM52-200	200W				