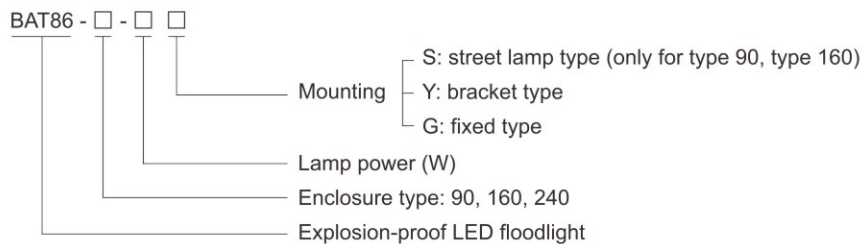


## LED Light Fittings BAT86 Series Explosion-proof LED Floodlights



- ◆ Explosion protection to
  - CENELEC
  - IEC
  - NEC
- ◆ Can be used in
  - Zone 1 and Zone 2
  - Zone 21 and Zone 22
  - Class I, Zone 1 and Zone 2
  - Class I, Division 1, Groups B, C, D
- ◆ Three enclosure types: 90, 160, 240
- ◆ Applicable lamp and power (max.240W)  
LED: 60W, 90W, 120W, 160W, 200W, 240W
- ◆ Isolated LED lamp compartment, CC-CV (constant current-constant voltage) power controller compartment and terminal compartment; Wind-convection heat dissipation structure.
- ◆ The light fittings are supplied without lens. Lighting distribution is of floodlight. The products with power ratings of 60W, 90W, 120W, and 160W are available with optional lenses of 30° and 60°.
- ◆ 240 type lightings adopt light fitting integrated two lamps, the power of whole machine is of 2×200W, 2×240W
- ◆ Low-maintenance due to long service life, which is up to 100,000 operating hours.

### Catalogue number logic



### Selection table

Type / Ordering code	Lamp power(W)	Weight (kg)	Type / Ordering code	Lamp power(W)	Weight (kg)	Type / Ordering code	Lamp power(W)	Weight (kg)
BAT86-90-60G	60	6.70	BAT86-90-60Y	60	8.50	BAT86-90-60S	60	7.55
BAT86-90-90G	90	6.70	BAT86-90-90Y	90	8.50	BAT86-90-90S	90	7.55
BAT86-160-120G	120	13.00	BAT86-160-120Y	120	14.80	BAT86-160-120S	120	13.85
BAT86-160-160G	160	13.00	BAT86-160-160Y	160	14.80	BAT86-160-160S	160	13.85
BAT86-240-200G	200	26.80	BAT86-240-200Y	200	28.30	BAT86-240-2×200	2×200	76.20
BAT86-240-240G	240	26.80	BAT86-240-240Y	240	28.30	BAT86-240-2×240	2×240	76.20

**Note:** 1. The product is supplied according to "Type/Ordering code" in the table with mounting accessories.  
2. The light fittings are supplied without lens. Lighting distribution is of floodlight. The products with power ratings of 60W, 90W, 120W, and 160W are available with optional lenses of 30° and 60°.

# Zones 1&2; 21&22

## LED Light Fittings

### BAT86 Series Explosion-proof LED Floodlights

#### Technical data

#### Explosion-proof LED floodlights BAT86-90-□□

##### Explosion protection

Global (IECEX)  
Gas and dust

IECEX CQM 21.0015X

Ex db IIB+H<sub>2</sub> T□<sup>1)</sup> Gb

Ex tb IIIC T□<sup>1)</sup> Db

Europe (ATEX)

TÜV CY 21 ATEX 0206545X

Gas and dust

⊕ II 2 G Ex db IIB+H<sub>2</sub> T□<sup>1)</sup> Gb

⊕ II 2 D Ex tb IIIC T□<sup>1)</sup> Db

<sup>1)</sup> See Ambient temperature

##### Certificates

IECEX; ATEX; CU-TR; INMETRO

##### Conformity to standards

EN 60079-0, EN 60079-1, EN 60079-31

IEC 60079-0, IEC 60079-1, IEC 60079-31

##### Material

Enclosure  
Glass cover  
LED driver

Copper-free Aluminium Alloy, powder coated surface, yellow (RAL1021)

Toughened glass, stands 4J impact

Wide voltage input, CC-CV (constant current - constant voltage) output, power factor ≥0.95, with function of distributed current, constant current, surge-proof and anti-electromagnetic interference, and protection against overcurrent, open circuit, and short circuit

Exposed fastener

Stainless steel

##### Lamp

Lamp specification  
Lamp power (W)  
Colour rendering index (Ra)  
Colour temperature (CCT)

LED module, Multiple LED

60W, 90W (50W and 70W are optional)

≥70

5700K

Note: cool white is available in general. Warm white or nature white is optional, please specify when ordering.

##### Rated voltage

100~277V AC 50/60Hz, 130~250V DC

##### Earthing protection

M5 (internal & external earth bolts)

##### Degree of protection

IP66

##### Ambient temperature

T6/T80°C for Tamb: -60°C~+40°C

T4/T130°C for Tamb: -60°C~+60°C

##### Terminal

3×1.5~4mm<sup>2</sup> (L+N+PE)

##### Mounting

Bracket type, fixed type, street lamp type

##### Cable entries

2×M25×1.5 plugs

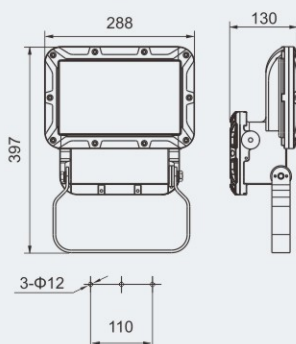
##### Cable gland

DQM-II (Ex d) or DQM-III (Ex d) is recommended. Please see P6/24~39

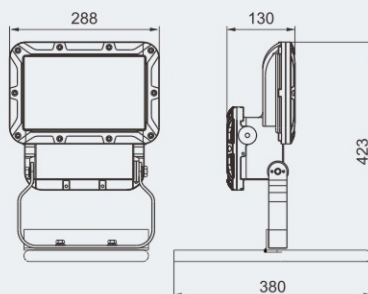


#### Dimension drawings (all dimensions in mm) - subject to alteration

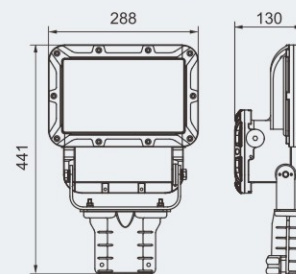
G: fixed type



Y: bracket type



S: street lamp type



## LED Light Fittings

### BAT86 Series Explosion-proof LED Floodlights

#### Technical data

#### Explosion-proof LED floodlights BAT86-160-□□

##### Explosion protection

Global (IECEX)

Gas and dust

Europe (ATEX)

Gas and dust

IECEX CQM 21.0015X

Ex db IIB T□<sup>1)</sup> Gb

Ex tb IIIC T□<sup>1)</sup> Db

TÜV CY 21 ATEX 0206545X

Ex II 2 G Ex db IIB T□<sup>1)</sup> Gb

Ex II 2 D Ex tb IIIC T□<sup>1)</sup> Db

<sup>1)</sup> See Ambient temperature

##### Certificates

##### Conformity to standards

IECEX; ATEX; CU-TR; INMETRO

EN 60079-0, EN 60079-1, EN 60079-31

IEC 60079-0, IEC 60079-1, IEC 60079-31

##### Material

Enclosure

Glass cover

LED driver

Copper-free Aluminium Alloy, powder coated surface, yellow (RAL1021)

Toughened glass, stands 4J impact

Wide voltage input, CC-CV (constant current - constant voltage) output, power factor  $\geq 0.95$ , with function of distributed current, constant current, surge-proof and anti-electromagnetic interference, and protection against overcurrent, open circuit, and short circuit

Exposed fastener

Stainless steel

##### Lamp

Lamp specification

Lamp power (W)

Colour rendering index (Ra)

Colour temperature (CCT)

LED module, Multiple LED

120W, 160W (100W is optional)

$\geq 70$

5700K

Note: cool white is available in general. Warm white or nature white is optional, please specify when ordering.

##### Rated voltage

##### Earthing protection

##### Degree of protection

##### Ambient temperature

100~277V AC 50/60Hz, 130~250V DC

M5 (internal & external earth bolts)

IP66

120W/160W T6/T80°C for Tamb: -60°C~+40°C

120W/160W T5/T95°C for Tamb: -60°C~+60°C

##### Terminal

##### Mounting

##### Cable entries

##### Cable gland

3×1.5~4mm<sup>2</sup> (L+N+PE)

Bracket type, fixed type, street lamp type

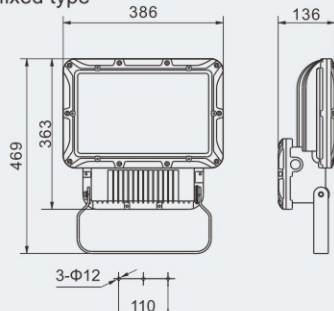
2×M25×1.5 plugs

DQM-II (Ex d) or DQM-III (Ex d) is recommended. Please see P6/24~39

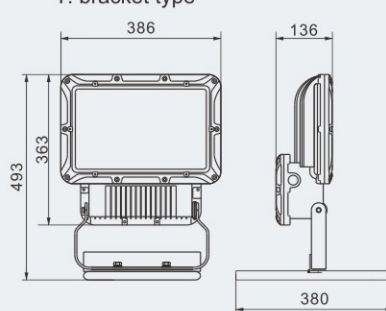


#### Dimension drawings (all dimensions in mm) - subject to alteration

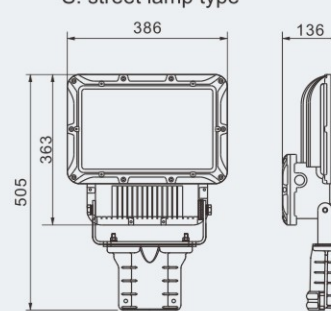
##### G: fixed type



##### Y: bracket type



##### S: street lamp type



## LED Light Fittings

### BAT86 Series Explosion-proof LED Floodlights

#### Technical data

#### Explosion-proof LED floodlights BAT86-240-□□

##### Explosion protection

Global (IECEX)	IECEX CQM 21.0015X
Gas and dust	Ex db IIB+H <sub>2</sub> T□ <sup>1)</sup> Gb Ex tb IIIC T□ <sup>1)</sup> Db
Europe (ATEX)	TÜV CY 21 ATEX 0206545X
Gas and dust	⊕ II 2 G Ex db IIB+H <sub>2</sub> T□ <sup>1)</sup> Gb ⊕ II 2 D Ex tb IIIC T□ <sup>1)</sup> Db

<sup>1)</sup> See Ambient temperature

##### Certificates

IECEX; ATEX; CU-TR; INMETRO

##### Conformity to standards

EN 60079-0, EN 60079-1, EN 60079-28, EN 60079-31  
IEC 60079-0, IEC 60079-1, IEC 60079-28, IEC 60079-31

##### Material

Enclosure	Copper-free Aluminium Alloy, powder coated surface, yellow (RAL1021)
Glass cover	Toughened glass, stands 4J impact
LED driver	Wide voltage input, CC-CV (constant current - constant voltage) output, power factor ≥0.95, with function of distributed current, constant current, surge-proof and anti-electromagnetic interference, and protection against overcurrent, open circuit, and short circuit
Exposed fastener	Stainless steel

##### Lamp

Lamp specification	LED module, Multiple LED
Lamp power (W)	200W, 240W
Colour rendering index (Ra)	≥80
Colour temperature (CCT)	5700K

Note: cool white is available in general. Warm white or nature white is optional, please specify when ordering.

##### Rated voltage

100~277V AC 50/60Hz, 130~250V DC

##### Earthing protection

M5 (internal & external earth bolts)

##### Degree of protection

IP66

##### Ambient temperature

200W/240W T6/T80°C for Tamb: -60°C~+40°C  
200W/240W T4/T130°C for Tamb: -60°C~+60°C

##### Terminal

3×1.5~4mm<sup>2</sup> (L+N+PE)

##### Mounting

Bracket type, fixed type

##### Cable entries

2×M25×1.5 plugs

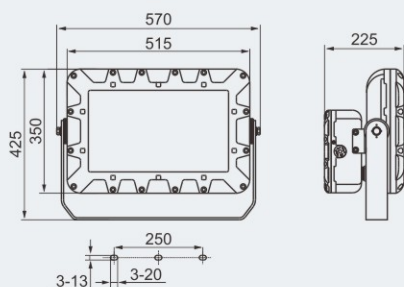
##### Cable gland

DQM-II (Ex d) or DQM-III (Ex d) is recommended. Please see P6/24~39

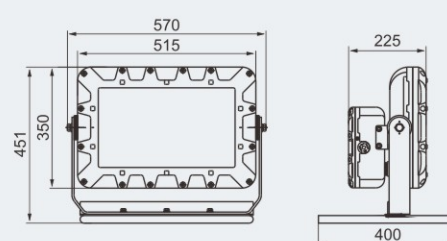


#### Dimension drawings (all dimensions in mm) - subject to alteration

G: fixed type



Y: bracket type

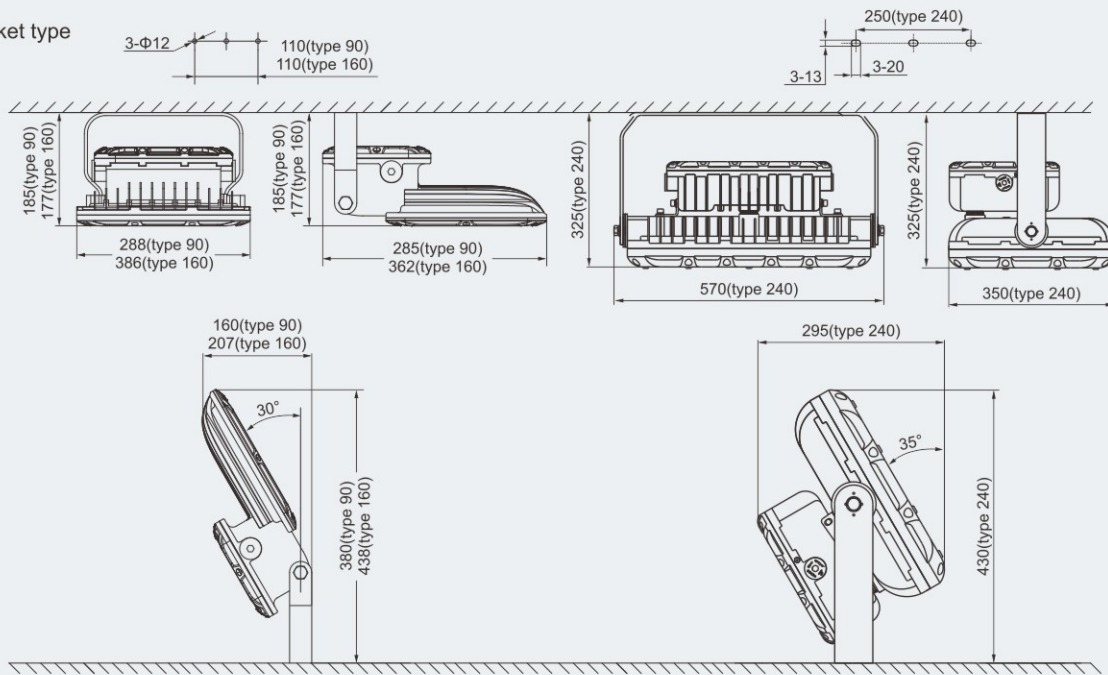




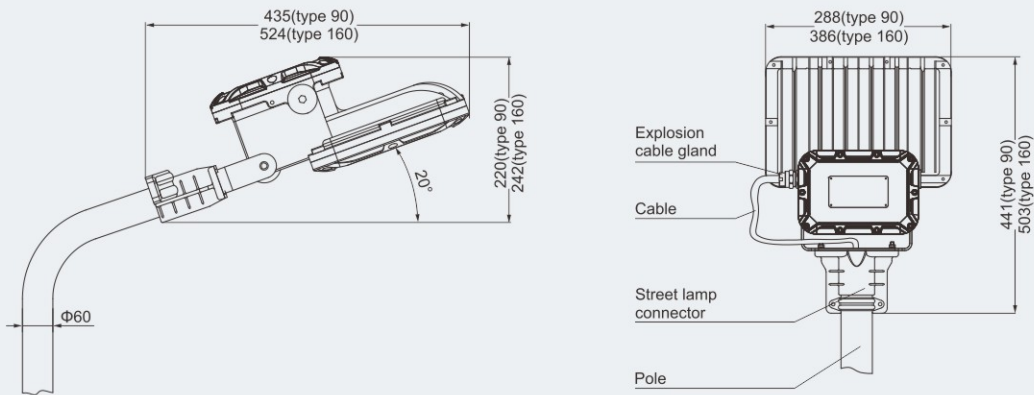
## LED Light Fittings BAT86 Series Explosion-proof LED Floodlights

**Mounting type** (all dimensions in mm) - subject to alteration

bracket type



street lamp type



**The description of light fitting integrated two lamps (2×200W, 2×240W)**

