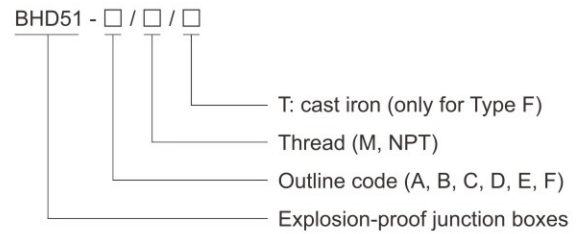


## Junction Boxes BHD51 Series Explosion-proof Junction Boxes



- ◆ Explosion protection to
  - CENELEC
  - IEC
  - NEC
- ◆ Can be used in
  - Zone 1 and Zone 2
  - Zone 21 and Zone 22
  - Class I, Zone 1 and Zone 2
  - Class I, Division 1, Groups A, B, C, D
- ◆ Six types: A, B, C, D, E, F.
- ◆ Type A, B, C, D, E in Copper-free Aluminium Alloy only;  
Type F in Copper-free Aluminium Alloy or Cast Iron.

### ■ Catalogue number logic



### Selection table


Type/Ordering code	Schematic diagram	Weight (kg)	
BHD51-A/M20×1.5	Type A	0.70	
BHD51-A/M25×1.5			
BHD51-B/M20×1.5	Type B	0.70	
BHD51-B/M25×1.5			
BHD51-C/M20×1.5	Type C	0.70	
BHD51-C/M25×1.5			
BHD51-D/M20×1.5	Type D	0.70	
BHD51-D/M25×1.5			
BHD51-E/M20×1.5	Type E	0.70	
BHD51-E/M25×1.5			
BHD51-F/M25×1.5	Type F	Copper-free Aluminium Alloy	0.80
		Cast Iron	2.10

# Zones 1&2; 21&22

## Junction Boxes

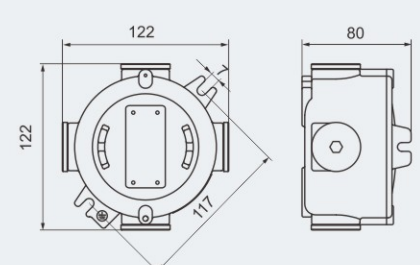
### BHD51 Series Explosion-proof Junction Boxes

Technical data	
<b>Explosion-proof junction boxes</b> BHD51-□/□/□	
<b>Explosion protection</b>	IECEX CQM 11.0022X
Global (IECEX)	Ex db IIC T6 Gb
Gas and dust	Ex tb IIIC T80°C Db
Europe (ATEX)	CNEX 21 ATEX 0001X
Gas and dust	⊕ II 2 G Ex db IIC T6 Gb
	⊕ II 2 D Ex tb IIIC T80°C Db
<b>Certificates</b>	IECEX; ATEX; CU-TR
<b>Conformity to standards</b>	EN 60079-0, EN 60079-1, EN 60079-31 IEC 60079-0, IEC 60079-1, IEC 60079-31
<b>Enclosure material</b>	Copper-free Aluminium Alloy or cast iron, powder coated surface
<b>Enclosure colour</b>	Yellow (RAL1021)
<b>Exposed fastener</b>	Stainless steel
<b>Rated current</b>	≤20A
<b>Rated voltage</b>	Max. 690V AC 50/60Hz, Max. 500V DC
<b>Terminal data</b>	
Number	6 terminals (Type A-E), 4 terminals (Type F)
Cross section of cable	0.2~2.5mm <sup>2</sup>
<b>Degree of protection</b>	IP66
<b>Ambient temperature</b>	-60°C~+60°C
<b>Internal &amp; external earthing</b>	M5
<b>Cable entries</b>	Standard M□×1.5 plug NPT□ plug on request
<b>Cable gland(optional)</b>	DQM-II (Ex d) or DQM-III (Ex d) is recommended. Please see P6/24~39.
<b>Main application</b>	Type A-E are used for wiring or branching; Type F is used as accessory for pendant pole type or ceiling type light fittings.

Terminals					
Description	Illustration	Number	Ordering code	Weight (kg)	Note
Terminal		6	30008	0.10	For Type A, B, C, D, E
Terminal block		4	30009	0.05	For Type F

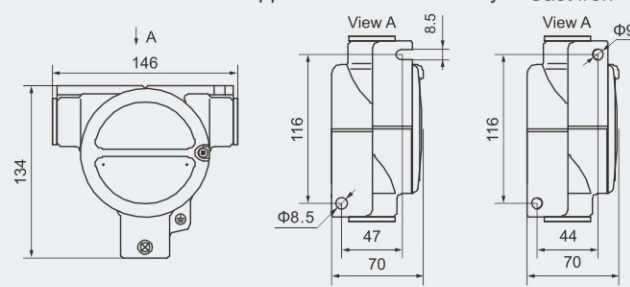


**Dimension drawings** (all dimensions in mm) - subject to alteration



Type A, B, C, D, E

Copper-free Aluminium Alloy    Cast iron



Type F

**Application instruction:**

- Type F (Copper-free Aluminium Alloy) is used as mounting accessory for light fittings HRD61-150, BDD81, HRD95 etc.
- Type F (cast iron) is used as mounting accessory for light fittings HRD61-250, HRD61-400, etc.