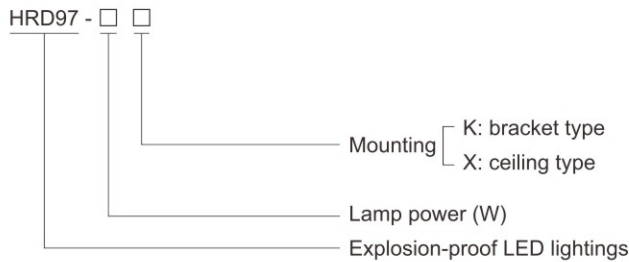


LED Light Fittings HRD97 Series Explosion-proof LED Lightings



- ◆ Explosion protection to
 - CENELEC
 - IEC
 - NEC
- ◆ Can be used in
 - Zone 1 and Zone 2
 - Zone 21 and Zone 22
 - Class I, Zone 1 and Zone 2
 - Class I, Division 1, Groups A, B, C, D
- ◆ Applicable lamp and power (max.20W)
 - LED : 10W, 20W
- ◆ Isolated LED lamp compartment, CC-CV (constant current - constant voltage) power controller compartment and terminal compartment; Wind-convection heat dissipation structure
- ◆ Low-maintenance due to long service life, which is up to 100,000 operating hours.

■ Catalogue number logic



■ Selection table

Type / Ordering code	Lamp power(W)
HRD97-10 □	10
HRD97-20 □	20

Note: 1. Products above include all the mounting accessories listed in Mounting type (see P2/63).
2. The product is supplied according to "Type/Ordering code" in the table with mounting accessories.

Zones 1&2; 21&22

LED Light Fittings

HRD97 Series Explosion-proof LED Lightings

Technical data

Explosion-proof LED lightings HRD97-□□

Explosion protection

Global (IECEX)	IECEX CQM 22.0036X
Gas and dust	Ex db IIC T6 Gb Ex tb IIIC T80°C Db
Europe (ATEX)	UL 23 ATEX 3016X
Gas and dust	⊕ II 2 G Ex db IIC T6 Gb ⊕ II 2 D Ex tb IIIC T80°C Db

Certificates

IECEX; ATEX; CU-TR

Conformity to standards

EN 60079-0, EN 60079-1, EN 60079-31
IEC 60079-0, IEC 60079-1, IEC 60079-31

Material

Enclosure	Copper-free aluminium alloy, powder coated surface, yellow (RAL1021)
Transparent cover	Toughened glass, stands 4J impact
Exposed fastener	Stainless steel
LED driver	Wide voltage input, CC-CV (constant current - constant voltage) output, power factor ≥ 0.95 , with function of distributed current, constant current, surge-proof and anti-electromagnetic interference, and protection against overcurrent, open circuit, and short circuit

Lamp

Lamp specification	Integrated LED, Multiple LED
Lamp power (W)	10W, 20W
Colour rendering index (Ra)	≥ 80
Colour temperature (CCT)	5700K Note: cool white is available in general. Warm white or nature white is optional, please specify when ordering.

Rated voltage

24V AC 50/60Hz, 36V AC 50/60Hz, 100~277V AC 50/60Hz, 24V DC, 36V DC

Earthing protection

M5 (internal & external earth bolts)

Degree of protection

IP66

Ambient temperature

-40°C~+60°C

Terminal

3×1.5~4mm² (L+N+PE)

Mounting

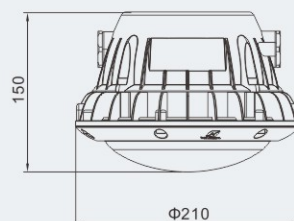
Bracket type, Ceiling type

Cable entries

2×M25×1.5 plugs



Dimension drawings (all dimensions in mm) - subject to alteration



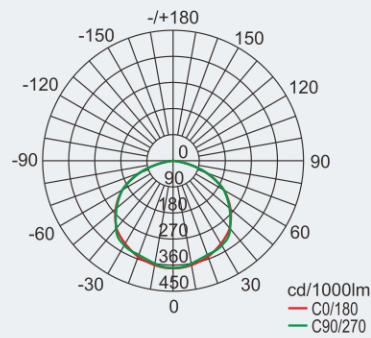
LED Light Fittings HRD97 Series Explosion-proof LED Lightings

Photometric data Note: LED luminous flux is from the standard product of which colour temperature is 5700K



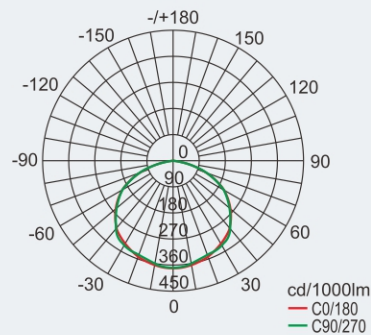
HRD97-10□

Lamp power (W)	Luminous flux	Wattage
10	2042lm	12.4W



HRD97-20□

Lamp power (W)	Luminous flux	Wattage
20	4301lm	26W



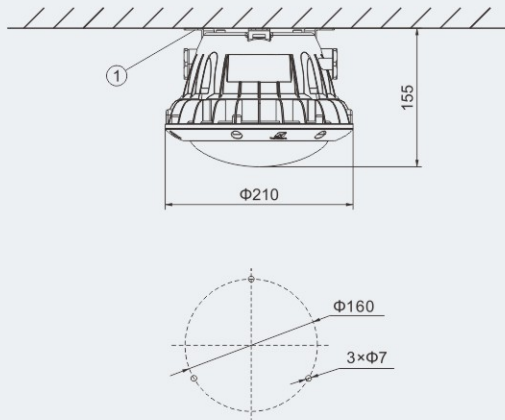
We can provide lighting design and data by professional lighting software DIALUX based upon simulated site situation on request.

LED Light Fittings

HRD97 Series Explosion-proof LED Lightings

Mounting type (all dimensions in mm) - subject to alteration

X: ceiling type

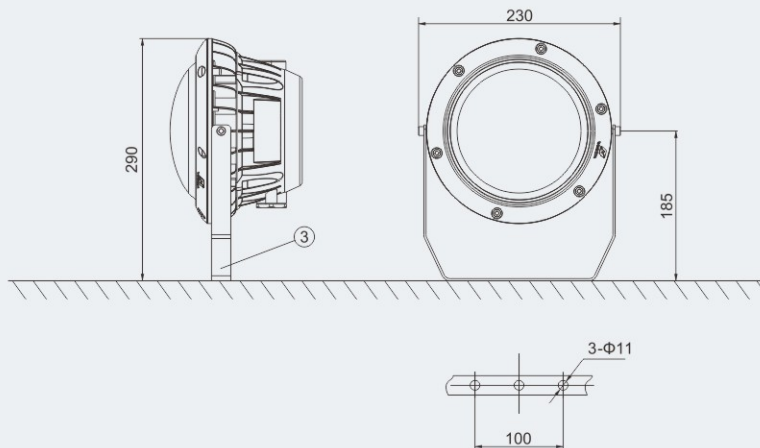


Weight: 3.30kg

Accessories supplied with the light fittings:

①. Mounting feet

K: bracket type



Weight: 3.80kg

Accessories supplied with the light fittings:

③. Wall bracket

