

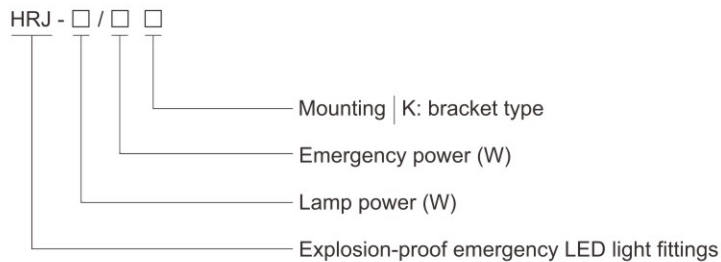
## LED Light Fittings

## HRJ Series Explosion-proof Emergency LED Light Fittings



- ◆ Explosion protection to
  - CENELEC
  - IEC
  - NEC
- ◆ Can be used in
  - Zone 1 and Zone 2
  - Zone 21 and Zone 22
  - Class I, Zone 1 and Zone 2
  - Class I, Division 2, Groups A, B, C, D
- ◆ Isolated LED lamp compartment, CC-CV (constant current - constant voltage) power controller compartment and terminal compartment; Wind-convection heat dissipation structure.
- ◆ International brand white light LED, reasonable arrangement of multi LED, high lighting efficiency and long service life.
- ◆ Emergency device with battery pack, charging automatically; when power supply is cut off, the emergency device starts to work; with overcharge and overdischarge protection.
- ◆ Toughened glass cover resistant to temperature changes.
- ◆ Low-maintenance due to long service life, which is up to 100,000 operating hours.

### ■ Catalogue number logic



## Zones 1&2; 21&22

## LED Light Fittings

## HRJ Series Explosion-proof Emergency LED Light Fittings

## Technical data

## Explosion-proof emergency LED light fittings HRJ-30/20□

## Explosion protection

Global (IECEX)

IECEX CNEX 20.0005X

Gas and dust

Ex db op is IIC T6 Gb

Ex tb op is IIIC T80°C Db

Europe (ATEX)

CNEX 20 ATEX 0004X

Gas and dust

⊕ Ex II 2 G Ex db op is IIC T6 Gb

⊕ Ex II 2 D Ex tb op is IIIC T80°C Db

## Certificates

IECEX; ATEX; CU-TR; INMETRO

## Conformity to standards

EN 60079-0, EN 60079-1, EN 60079-28, EN 60079-31

IEC 60079-0, IEC 60079-1, IEC 60079-28, IEC 60079-31

## Material

Enclosure

Copper-free Aluminium Alloy, powder coated surface, yellow (RAL1021)

Glass cover

Toughened glass, stands 4J impact

Exposed fastener

Stainless steel

LED driver

Wide voltage input, CC-CV (constant current - constant voltage) output, with function of distributed current, constant current, surge-proof and anti-electromagnetic interference, and protection against overcurrent, open circuit, and short circuit

Emergency controller

Special emergency controller and battery pack, with protection against over-charge and overdischarge

## Lamp

Lamp specification

LED module, Multiple LED

Lamp power (W)

30W

Emergency power (W)

10W, 15W, 20W

Colour rendering index (Ra)

≥80

Colour temperature (CCT)

5700K

Note: cool white is available in general. Warm white or nature white is optional, please specify when ordering.

## Rated voltage

100~277V AC 50/60Hz

## Charging time

24h

## Emergency duration

180min(10W), 120min(15W), 90min(20W)

## Earthing protection

M5 (internal &amp; external earth bolts)

## Degree of protection

IP66

## Ambient temperature

-40°C~+60°C

## Terminal

5×1.5~4mm<sup>2</sup>

## Mounting

bracket type

## Cable entries

2×M25×1.5 or 2×NPT 3/4" plugs

## Cable gland

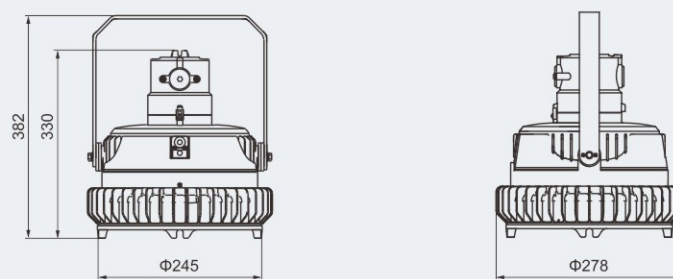
DQM-II (Ex d) or DQM-III (Ex d) is recommended. Please see P6/24~39

## Weight

9.95kg



## Dimension drawings (all dimensions in mm) - subject to alteration



HRJ-30/20□

## LED Light Fittings

### HRJ Series Explosion-proof Emergency LED Light Fittings

#### Technical data

#### Explosion-proof emergency LED light fittings HRJ-60/40□

##### Explosion protection

Global (IECEX)  
Gas and dust

IECEX CNEX 20.0005X  
Ex db op is IIC T6 Gb  
Ex tb op is IIIC T80°C Db

Europe (ATEX)  
Gas and dust

CNEX 20 ATEX 0004X  
⊕ II 2 G Ex db op is IIC T6 Gb  
⊕ II 2 D Ex tb op is IIIC T80°C Db

##### Certificates

##### Conformity to standards

IECEX; ATEX; CU-TR; INMETRO  
EN 60079-0, EN 60079-1, EN 60079-28, EN 60079-31  
IEC 60079-0, IEC 60079-1, IEC 60079-28, IEC 60079-31

##### Material

Enclosure  
Glass cover  
Exposed fastener  
LED driver

Copper-free Aluminium Alloy, powder coated surface, yellow (RAL1021)  
Toughened glass, stands 4J impact  
Stainless steel  
Wide voltage input, CC-CV (constant current - constant voltage) output, with function of distributed current, constant current, surge-proof and anti-electromagnetic interference, and protection against overcurrent, open circuit, and short circuit

Emergency controller

Special emergency controller and battery pack, with protection against over-charge and overdischarge

##### Lamp

Lamp specification  
Lamp power (W)  
Emergency power (W)  
Colour rendering index (Ra)  
Colour temperature (CCT)

LED module, Multiple LED  
60W  
20W, 30W, 40W  
≥80  
5700K

Note: cool white is available in general. Warm white or nature white is optional, please specify when ordering.

##### Rated voltage

##### Charging time

##### Emergency duration

##### Earthing protection

##### Degree of protection

##### Ambient temperature

##### Terminal

##### Mounting

##### Cable entries

##### Cable gland

##### Weight

100~277V AC 50/60Hz

24h

180min(20W), 120min(30W), 90min(40W)

M5 (internal & external earth bolts)

IP66

-40°C~+60°C

5×1.5~4mm<sup>2</sup>

bracket type

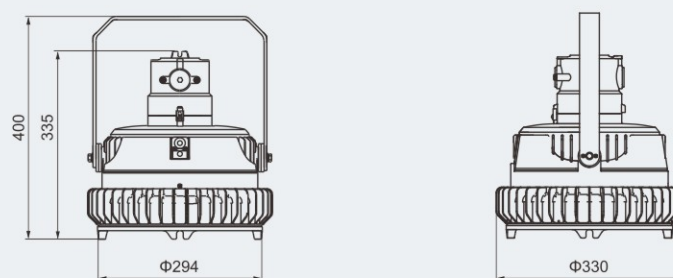
2×M25×1.5

DQM-II (Ex d) or DQM-III (Ex d) is recommended. Please see P6/24~39

12.85kg



#### Dimension drawings (all dimensions in mm) - subject to alteration



HRJ-60/40□

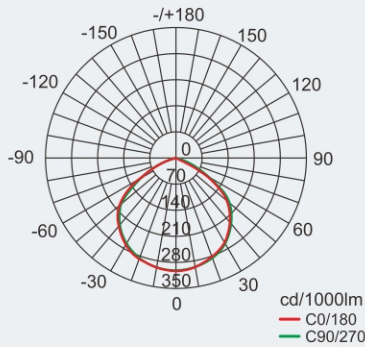
## LED Light Fittings

### HRJ Series Explosion-proof Emergency LED Light Fittings

**Photometric data** Note: LED luminous flux is from the standard product of which colour temperature is 5700K (cool white).

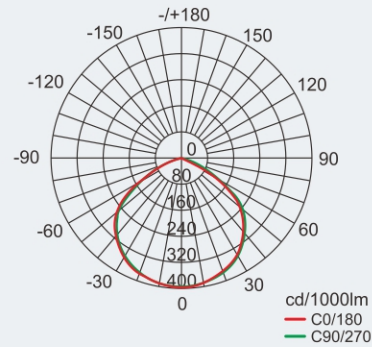
#### HRJ-30/20□

Lamp power (W)	Luminous flux	Wattage
30	4051lm	29.7W



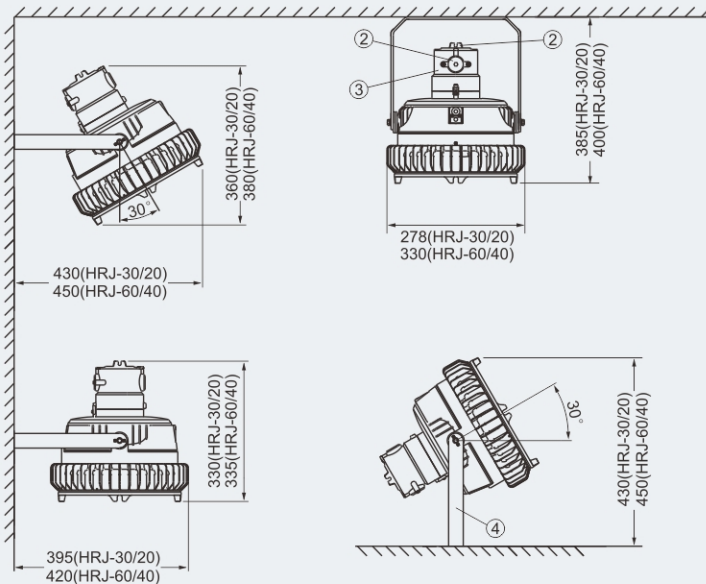
#### HRJ-60/40□

Lamp power (W)	Luminous flux	Wattage
60	7715lm	54.2W



#### Mounting type (all dimensions in mm) - subject to alteration

K: bracket type



Accessories supplied with the light fittings:

- ①. Enclosure cover
- ②. Plug (M25×1.5)
- ③. Outlet sleeve
- ④. Bracket mounting (Carbon steel)

