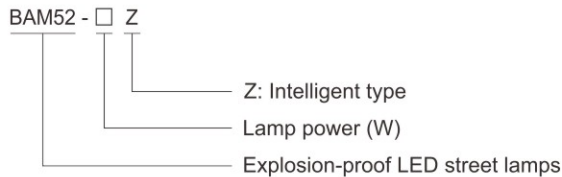


SCS-ZM Intelligent Lighting Management and Control System BAM52-□Z Series Explosion-proof LED Street Lamps (Intelligent Type)



- ◆ Explosion protection to
 - CENELEC
 - IEC
 - NEC
- ◆ Can be used in
 - Zone 2
 - Zone 21 and Zone 22
- ◆ Please refer to mounting schematic diagram to select right lamp and mounting types on request of job site.
- ◆ Please refer to this catalogue for detailed technical data and ordering information of each light fitting.
- ◆ The street lamp is supplied without pole; please specify when ordering.
- ◆ Luminaires feature adjustable brightness for efficient energy-saving lighting;
- ◆ When used with an intelligent lighting system, they enable centralized intelligent management and control of lighting equipment.

■ Catalogue number logic



■ Product features



Intelligent Control

Equipped with an intelligent control chip, it supports individual lamp control, enabling remote on/off operation and brightness adjustment. It can also integrate with smart functions such as light sensing and human presence detection.



Wireless Communication

Features an embedded Zigbee industrial wireless communication module, offering flexible connectivity without the need for communication cabling—greatly simplifying on-site installation.



Intelligent Monitoring

Built-in intelligent sensor chip continuously monitors lamp parameters including power, current, voltage, brightness, on/off status, and fault conditions.



Human Presence Detection

The lamp housing can be equipped with a human presence detection module that senses movement and activates nearby lights accordingly, achieving automatic lighting when people enter the area and turning off when they leave.

Zones 1&2; 21&22

SCS-ZM Intelligent Lighting Management and Control System

BAM52-□Z Series Explosion-proof LED Street Lamps (Intelligent Type)

Technical data

Explosion-proof LED street lamps (Intelligent type) BAM52-□Z

Explosion protection

Global (IECEX)

Gas and dust

Europe (ATEX)

Gas and dust

IECEX (applied for)

Ex nR IIC T6...T5¹⁾ Gc

Ex tb IIIC T80°C...T95°C¹⁾ Db

ATEX (applied for)

⊕ II 3 G Ex nR IIC T6...T5¹⁾ Gc

⊕ II 2 D Ex tb IIIC T80°C...T95°C¹⁾ Db

¹⁾ See Selection Table of P2/141

IECEX; ATEX

Certificates

Conformity to standards

EN 60079-0, EN 60079-15, EN 60079-31

IEC 60079-0, IEC 60079-15, IEC 60079-31

Material

Enclosure

Glass cover

LED driver

Aluminium Alloy, powder coated surface

Toughened glass, stands 4J impact

Wide voltage input, CC-CV (constant current - constant voltage) output, power factor ≥0.95, with function of distributed current, constant current, surge-proof and anti-electromagnetic interference, and protection against overcurrent, open circuit, and short circuit

Exposed fastener

Stainless steel

Lamp

Lamp specification

Lamp power (W)

Colour Temperature (CCT)

LED module

60W, 80W, 100W, 120W, 150W, 160W, 180W, 200W

Cool white: 5700K

Note: cool white is available in general. Warm white or nature white is optional, please specify when ordering.

Rated voltage

Degree of protection

Ambient temperature

Terminal

Mounting

Cable entries

100~277V AC 50/60Hz

IP66

-40°C~+55°C(+45°C)

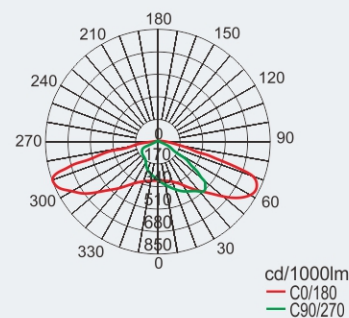
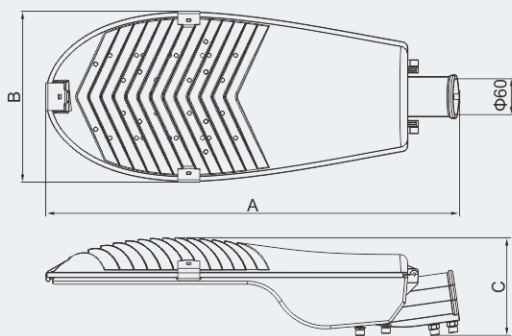
3×1.5~4mm² (L+N+PE)

street lamp type

1×M20×1.5 cable gland (DQM-I Ex eb, metal unarmored)



Dimension drawings (all dimensions in mm) - subject to alteration



Type	A	B	C	Rated luminous flux
BAM52-60Z	655	268	150	9500lm
BAM52-80Z				13000lm
BAM52-100Z	752	310	178	16500lm
BAM52-120Z				20000lm
BAM52-150Z	863	359	199	24600lm
BAM52-160Z				26500lm
BAM52-180Z				29600lm
BAM52-200Z				32500lm

We can provide lighting design and data by professional lighting software DIALUX based upon simulated site situation on request