

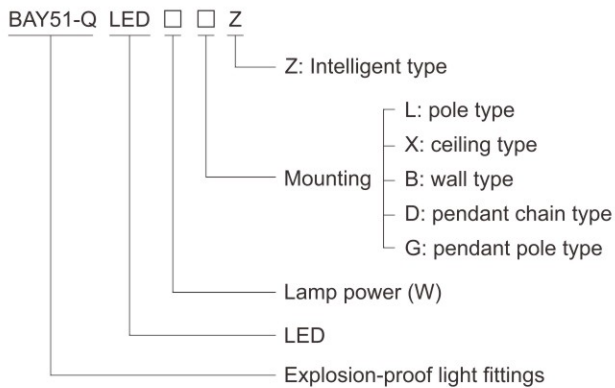
SCS-ZM Intelligent Lighting Management and Control System

BAY51-Q LED □□Z Series Explosion-proof Light Fittings (Intelligent Type)



- ◆ Explosion Protection to
 - CENELEC
 - IEC
 - NEC
- ◆ Can be used in
 - Zone 1 and Zone 2
 - Zone 21 and Zone 22
 - Class I, Zone 1 and Zone 2
 - Class I, Division 2, Groups A, B, C, D
- ◆ Enclosure size: Type I and Type II
- ◆ Enclosure: GRP (glass fiber reinforced polyester).
Diffuser: PC (polycarbonate).
- ◆ Luminaires feature adjustable brightness for efficient energy-saving lighting;
- ◆ When used with an intelligent lighting system, they enable centralized intelligent management and control of lighting equipment.

■ Catalogue number logic



■ Product features



Intelligent Control

Equipped with an intelligent control chip, it supports individual lamp control, enabling remote on/off operation and brightness adjustment. It can also integrate with smart functions such as light sensing and human presence detection.



Intelligent Monitoring

Built-in intelligent sensor chip continuously monitors lamp parameters including power, current, voltage, brightness, on/off status, and fault conditions.



Wireless Communication

Features an embedded Zigbee industrial wireless communication module, offering flexible connectivity without the need for communication cabling—greatly simplifying on-site installation.



Human Presence Detection

The lamp housing can be equipped with a human presence detection module that senses movement and activates nearby lights accordingly, achieving automatic lighting when people enter the area and turning off when they leave.

Zones 1&2; 21&22

SCS-ZM Intelligent Lighting Management and Control System

BAY51-Q LED □Z Series Explosion-proof Light Fittings (Intelligent Type)



Technical data

Explosion-proof Light Fittings (Intelligent type) BAY51-Q LED □□Z

Explosion protection

Global (IECEX)	IECEX (applied for)
Gas and dust	Ex db eb mb IIC T6/T5 Gb ¹⁾ Ex tb IIIC T80°C Db ¹⁾
Europe (ATEX)	ATEX (applied for)
Gas and dust	⊕ II 2 G Ex db eb mb IIC T6/T5 Gb ¹⁾ ⊕ II 2 D Ex tb IIIC T80°C Db ¹⁾

¹⁾ See Selection Table for P2/10

Certificates

IECEX; ATEX; CU-TR; INMETRO

Conformity to standards

EN 60079-0, EN 60079-1, EN 60079-7, EN 60079-18, EN 60079-31,
IEC 60079-0, IEC 60079-1, IEC 60079-7, IEC 60079-18, IEC 60079-31

Material

Enclosure	GRP, stands 7J impact, corrosion-proof
Diffuser	Polycarbonate, high light transmission, stands 7J impact
LED driver	Wide voltage input, CC-CV (constant current - constant voltage) output, power factor ≥0.95, with function of distributed current, constant current, surge-proof and anti-electromagnetic interference, and protection against overcurrent, open circuit, and short circuit.
Exposed fastener	Stainless steel

Lamp

Lamp specification	SMD LED (supplied with the light fittings)
Lamp power (W)	20W, 40W, 60W, 80W
Colour rendering index (Ra)	≥80
Colour temperature (CCT)	5000K Note: nature white is available in general. Warm white or cool white is optional, please specify when ordering.

Rated voltage

100-277V AC 50/60Hz

Degree of protection

IP66

Ambient temperature

-40°C~+60°C(+55°C)(+45°C)¹⁾

¹⁾ See Selection Table for P2/10

Terminal

3×1.5~4mm² (L+N+PE)

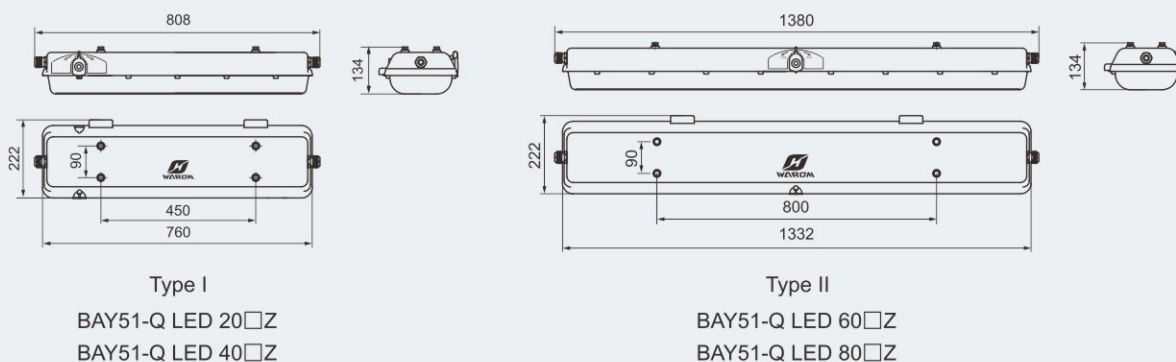
Cable entries

Pole type: 1×Φ26: 1×M25×1.5 cable glands (DQM-I/I Ex eb, plastic).
Other mounting methods: 2×Φ26: 2×M25×1.5 cable glands (DQM-I/I Ex eb, plastic).

Available cable outer diameter

Φ9~Φ16 (mm)

Dimension drawings (all dimensions in mm) - subject to alteration



Detailed Parameters

Luminaire photometric curve diagram, external dimensions, installation schematic, mounting accessories, mounting components, and spare parts list are detailed on page P2/13~15.