

Light Fittings for Fluorescent Lamp

HRY97 Series Explosion-proof LED Light Fittings

Technical data	
Explosion-proof LED light fittings HRY97-□□□	
Explosion protection	
Global (IECEX)	IECEX CQM 24.0001X
Gas and dust	Ex db eb mb IIC T5/T4 Gb ¹⁾ Ex tb IIIC T70°C/T90°C Db ¹⁾
Europe (ATEX)	TÜV CY 25 ATEX 0207222 X
Gas and dust	⊕ II 2 G Ex db eb mb IIC T5/T4 Gb ¹⁾ ⊕ II 2 D Ex tb IIIC T70°C/T90°C Db ¹⁾ ¹⁾ See Selection Table
Certificates	IECEX; ATEX
Conformity to standards	EN 60079-0, EN 60079-1, EN 60079-7, EN 60079-18, EN 60079-31, IEC 60079-0, IEC 60079-1, IEC 60079-7, IEC 60079-18, IEC 60079-31
Material	
Enclosure	Copper-free Aluminium Alloy, powder coated surface, yellow (RAL1021)
Diffuser	Polycarbonate, stands 4J impact
LED driver	Wide voltage input, CC-CV (constant current - constant voltage) output, with function of distributed current, constant current, surge-proof and anti-electromagnetic interference, and protection against overcurrent, open circuit, and short circuit.
Exposed fastener	Stainless steel
Lamp	
Lamp specification	LED module (supplied with the light fittings)
Lamp power (W)	20W, 40W, 60W
Colour rendering index (Ra)	≥80
LED Colour temperature (CCT)	5000K Note: nature white is available in general. Warm white or cool white is optional, please specify when ordering.
Rated voltage	100-277V AC 50/60Hz 130~250V DC
Earthing protection	M4 (internal & external earth bolts)
Degree of protection	IP66
Ambient temperature	-40°C~+60°C(+58°C)(+40°C) ¹⁾ ¹⁾ See Selection Table
Terminal	3×1.5~4mm ² (L+N+PE)
Cable entries	2×M25×1.5 plugs
Emergency data	
Emergency unit	Special emergency controller and battery pack, with protection against overcharge and overdischarge
Emergency power (W)	20W×70%, 40W×35%, 60W×23%
Emergency starting time	0.3s
Charging time	24h
Emergency lighting time	90min (180min is optional)
Battery	Ni-Cd (Ni-MH is optional)



Configuration table for lighting fixtures with emergency features

Model	Lamp power	Emergency lighting time	Battery type	Enclosure type
HRY97-20□J	20W	90min	Ni-Cd	Type II
HRY97-40□J	40W	90min	Ni-Cd	Type II
HRY97-60□J	60W	90min	Ni-Cd	Type III
HRY97-20□J	20W	180min	Ni-Cd	Type III
HRY97-40□J	40W	180min	Ni-Cd	Type III
HRY97-60□J	60W	180min	Ni-Cd	Type III
HRY97-20□J	20W	90min	Ni-MH	Type II
HRY97-40□J	40W	90min	Ni-MH	Type II
HRY97-60□J	60W	90min	Ni-MH	Type III
HRY97-20□J	20W	180min	Ni-MH	Type II
HRY97-40□J	40W	180min	Ni-MH	Type II
HRY97-60□J	60W	180min	Ni-MH	Type III

Light Fittings for Fluorescent Lamp HRY97 Series Explosion-proof LED Light Fittings

Selection table

Rated power(W)	Temperature classification					
	For non-emergency type				For emergency type	
	-40°C≤Ta≤+40°C		-40°C≤Ta≤+60°C		-40°C≤Ta≤+58°C	
	Gas	Dust	Gas	Dust	Gas	Dust
20, 40, 60	T5	T70°C	T4	T90°C	T4	T90°C

Selection table

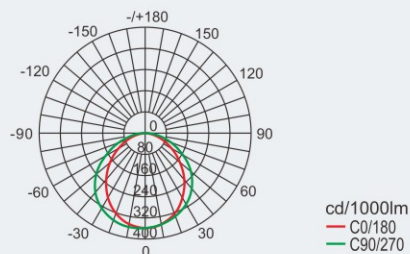
Type / Ordering code	Lamp power(W)	Weight (kg)	Type / Ordering code	Lamp power(W)	Weight (kg)	Type / Ordering code	Lamp power(W)	Weight (kg)
HR Y97-20X	20	2.90	HR Y97-40X	40	4.70	HR Y97-60X	60	5.50
HR Y97-20G	20	3.90	HR Y97-40G	40	5.70	HR Y97-60G	60	6.50
HR Y97-20B	20	3.30	HR Y97-40B	40	5.10	HR Y97-60B	60	5.90
HR Y97-20W	20	3.00	HR Y97-40W	40	4.80	HR Y97-60W	60	5.60
HR Y97-20H	20	3.00	HR Y97-40H	40	4.80	HR Y97-60H	60	5.60
HR Y97-20F	20	3.00	HR Y97-40F	40	4.80	HR Y97-60F	60	5.60
HR Y97-20QT	20	3.40	HR Y97-40QT	40	5.20	HR Y97-60QT	60	6.00
HR Y97-20XJ	20	5.70	HR Y97-40XJ	40	5.90	HR Y97-60XJ	60	6.70
HR Y97-20GJ	20	6.70	HR Y97-40GJ	40	6.90	HR Y97-60GJ	60	7.70
HR Y97-20BJ	20	6.10	HR Y97-40BJ	40	6.30	HR Y97-60BJ	60	7.10
HR Y97-20WJ	20	5.80	HR Y97-40WJ	40	6.10	HR Y97-60WJ	60	6.80
HR Y97-20HJ	20	5.80	HR Y97-40HJ	40	6.10	HR Y97-60HJ	60	6.80
HR Y97-20FJ	20	5.80	HR Y97-40FJ	40	6.10	HR Y97-60FJ	60	6.80
HR Y97-20QTJ	20	4.60	HR Y97-40QTJ	40	6.40	HR Y97-60QTJ	60	7.20

Note: 1. Products above include all the mounting accessories listed in Mounting Accessories & Spare Parts Table (see P2/39).

Photometric data Note: LED luminous flux is from the standard product of which colour temperature is 5000K

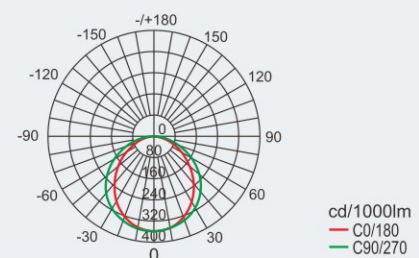
HR Y97-20□□

Lamp power (W)	Luminous flux	Wattage
LED 20	2500lm	21W



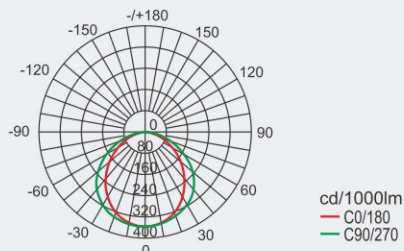
HR Y97-40□□

Lamp power (W)	Luminous flux	Wattage
LED 40	5300lm	43W



HR Y97-60□□

Lamp power (W)	Luminous flux	Wattage
LED 60	7000lm	58.6W



We can provide lighting design and data by professional lighting software DIALUX based upon simulated site situation on request.

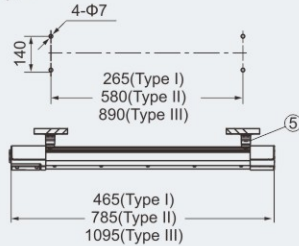


Light Fittings for Fluorescent Lamp HRY97 Series Explosion-proof LED Light Fittings

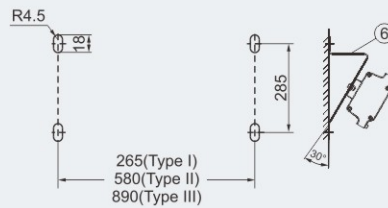
Mounting type (all dimensions in mm) - subject to alteration

Installation reference

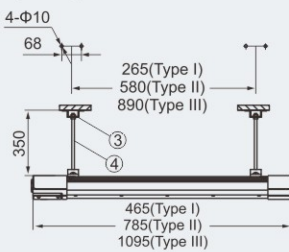
X: ceiling type



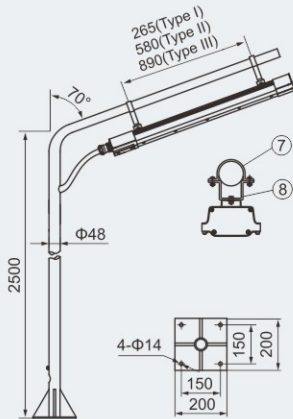
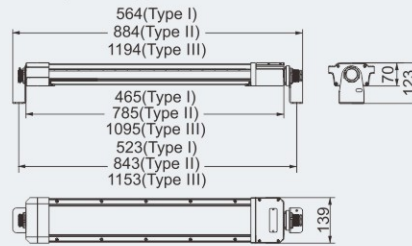
B: wall type



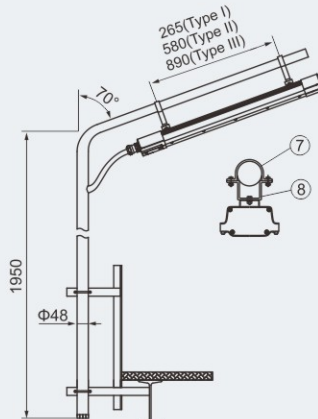
G: pendant pole type



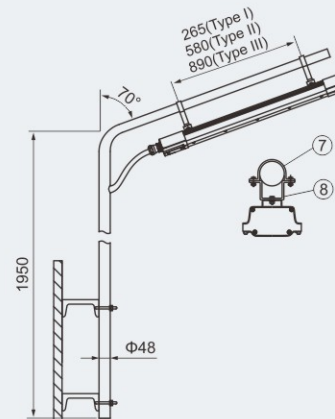
QT: derrick-specific type



F: flange type



H: fence type



W: bend pole type



Mounting Accessories & Spare Parts Table

Supplied according to the mounting type

Mounting type	Accessories			Ordering code	Weight (kg)
	Name	Qty	Illustration		
G: pendant pole type	③.Mounting bracket	2	Stainless steel, see P2/6	51S01G1	0.04
	④.M8 Screw	2	Stainless steel, length: 350mm	51S01G2	0.12
X: ceiling type	⑤.Mounting bracket	2	Stainless steel	5136015	0.14
B: wall type	⑥.Wall bracket	2	Stainless steel, welded sheet steel	5236B02	0.10
F: flange type	⑦.G1 1/2" Pipe clamp	2	Stainless steel, see P2/7	5136014	0.04
	⑧.Mounting bracket	2	Stainless steel, see P2/7	5136012	0.04
H: fence type	⑦.G1 1/2" Pipe clamp	2	Stainless steel, see P2/7	5136014	0.04
	⑧.Mounting bracket	2	Stainless steel, see P2/7	5136012	0.04
W: bend pole type	⑦.G1 1/2" Pipe clamp	2	Stainless steel, see P2/7	5136014	0.04
	⑧.Mounting bracket	2	Stainless steel, see P2/7	5136012	0.04

Note: Accessories not in the table shall be supplied by user.