

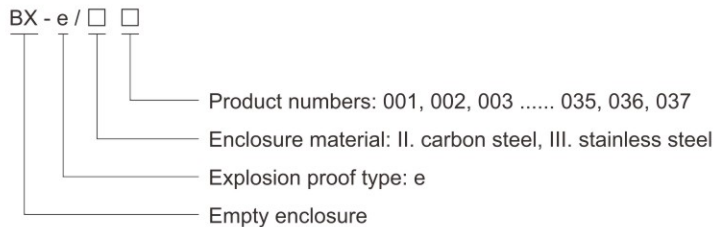
## Empty Enclosures

### BX-e Series Empty Enclosure (Ex eb IIC)



- ◆ Explosion protection to
  - CENELEC
  - IEC
  - NEC
- ◆ Can be used in
  - Zone 1 and Zone 2
  - Zone 21 and Zone 22
  - Class I, Zone 1 and Zone 2
  - Class I, Division 2, Groups A, B, C, D
- ◆ Empty enclosure (Ex eb IIC) in stainless steel or carbon steel  
37 versions.
- ◆ Cable entries can be drilled and components can be installed by user on request.
- ◆ Safety shall be considered when installing components according to related electrical standards.
- ◆ Special requirements on request.

#### Catalogue number logic



#### Technical data

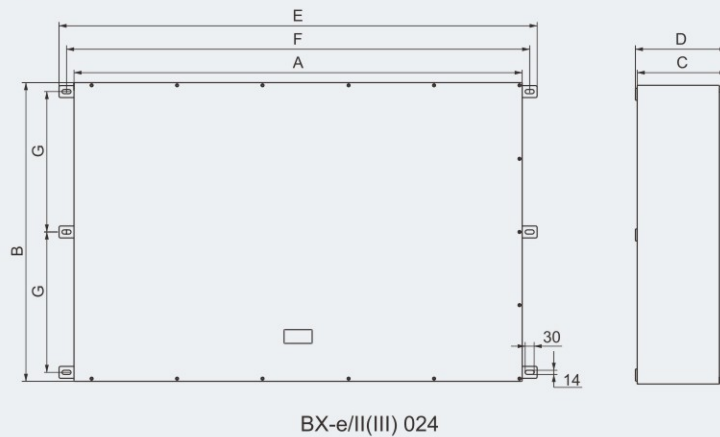
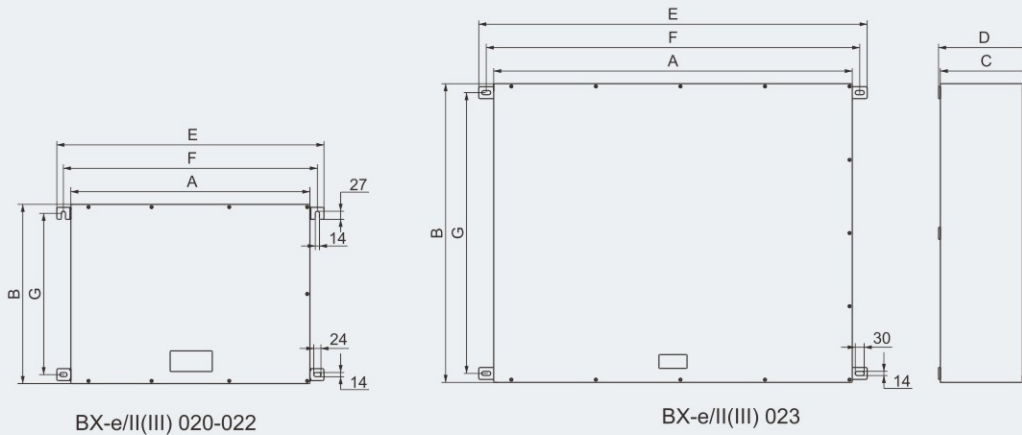
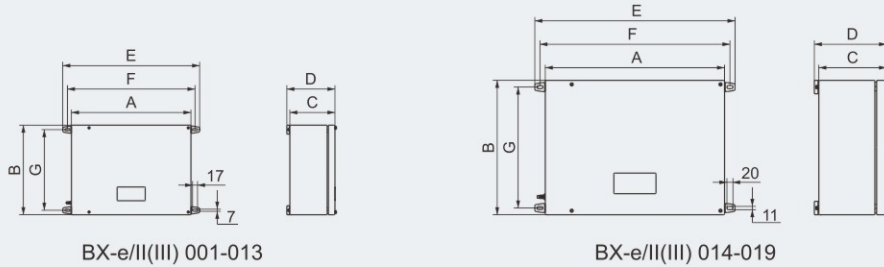
Empty enclosure	BX-e/□□
<b>Explosion protection</b>	
Global (IECEX)	IECEX CQM 24.0010U
Gas and dust	Ex eb IIC Gb Ex tb IIIC Db
Europe (ATEX)	ExVeritas 24 ATEX 1876U
Gas and dust	⊕ II 2 G Ex eb IIC Gb ⊕ II 2 D Ex tb IIIC Db
<b>Certificates</b>	IECEX; ATEX
<b>Conformity to standards</b>	EN 60079-0, EN 60079-7, EN 60079-31 IEC 60079-0, IEC 60079-7, IEC 60079-31
<b>Degree of protection</b>	IP66
<b>Internal &amp; external earthing</b>	M6/M8/M10
<b>Service temperature</b>	-60°C~+110°C
<b>Enclosure material</b>	Stainless steel or carbon steel
<b>Exposed fastener</b>	Stainless steel
<b>Mounting</b>	Surface type, pedestal type

## Zones 1&2; 21&22

## Empty Enclosures BX-e Series Empty Enclosure (Ex eb IIC)

**Selection table of BX-e series empty enclosure** (all dimensions in mm)

Surface type

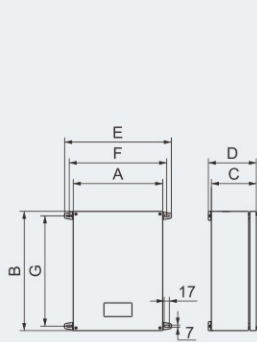


Model specifications	External dimensions	D	E	Installation dimensions	Model specifications	External dimensions	D	E	Installation dimensions
	A×B×C			F×G		A×B×C			F×G
BX-e/II(III) 001	170×150×110	120	228	198×120	BX-e/II(III) 013	360×360×165	175	418	388×330
BX-e/II(III) 002	220×180×110	120	278	248×150	BX-e/II(III) 014	500×400×200	210	570	536×366
BX-e/II(III) 003	300×200×110	120	358	328×170	BX-e/II(III) 015	500×400×300	310	570	436×466
BX-e/II(III) 004	300×200×125	135	358	328×170	BX-e/II(III) 016	480×480×150	160	550	516×446
BX-e/II(III) 005	360×220×125	135	418	388×190	BX-e/II(III) 017	480×480×250	260	550	516×446
BX-e/II(III) 006	360×220×165	175	418	388×190	BX-e/II(III) 018	600×500×200	210	670	636×466
BX-e/II(III) 007	250×250×150	160	308	278×220	BX-e/II(III) 019	600×500×300	310	670	636×466
BX-e/II(III) 008	300×300×150	160	358	328×270	BX-e/II(III) 020	800×600×200	218	894	850×540
BX-e/II(III) 009	300×300×200	210	358	328×270	BX-e/II(III) 021	800×600×300	318	894	850×640
BX-e/II(III) 010	300×400×150	160	358	328×370	BX-e/II(III) 022	1000×800×300	318	1094	1050×740
BX-e/II(III) 011	300×400×200	210	358	328×370	BX-e/II(III) 023	1200×1000×300	306	1300	1250×940
BX-e/II(III) 012	360×360×125	135	418	388×330	BX-e/II(III) 024	1500×1000×400	406	1600	1550×(470+470)

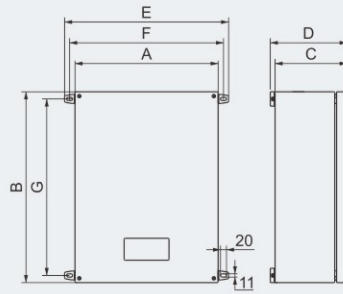
## Empty Enclosures BX-e Series Empty Enclosure (Ex eb IIC)

### Selection table of BX-e series empty enclosure (all dimensions in mm)

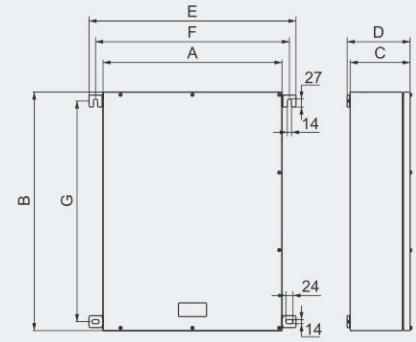
Surface type



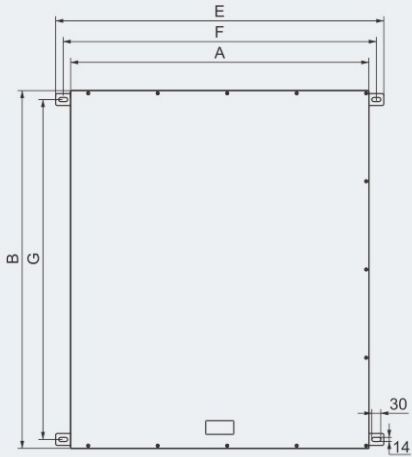
BX-e/II(III) 001-013



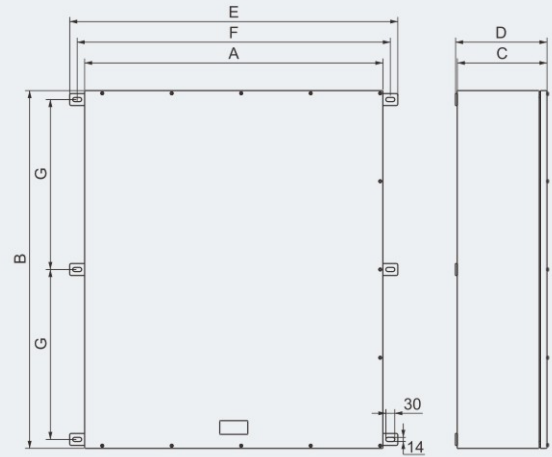
BX-e/II(III) 014-019



BX-e/II(III) 020-022



BX-e/II(III) 023



BX-e/II(III) 024



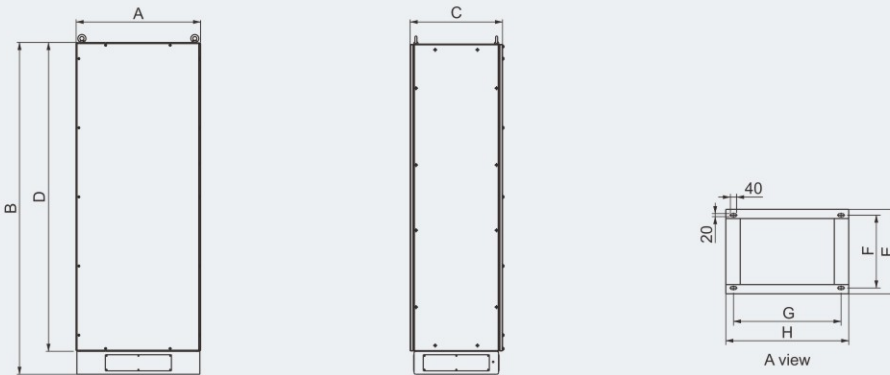
Model specifications	External dimensions	D	E	Installation dimensions	Model specifications	External dimensions	D	E	Installation dimensions
	A×B×C			F×G		A×B×C			F×G
BX-e/II(III) 001	150×170×110	120	208	178×140	BX-e/II(III) 013	360×360×165	175	418	388×330
BX-e/II(III) 002	180×220×110	120	238	208×190	BX-e/II(III) 014	400×500×200	210	470	436×466
BX-e/II(III) 003	200×300×110	120	258	228×270	BX-e/II(III) 015	400×500×300	310	470	436×466
BX-e/II(III) 004	200×300×125	135	258	228×270	BX-e/II(III) 016	480×480×150	160	550	516×446
BX-e/II(III) 005	220×360×125	135	278	248×330	BX-e/II(III) 017	480×480×250	260	550	516×446
BX-e/II(III) 006	220×360×165	175	278	248×330	BX-e/II(III) 018	500×600×200	210	570	536×566
BX-e/II(III) 007	250×250×150	160	308	278×220	BX-e/II(III) 019	500×600×300	310	570	536×566
BX-e/II(III) 008	300×300×150	160	358	328×270	BX-e/II(III) 020	600×800×200	218	694	650×740
BX-e/II(III) 009	300×300×200	210	358	328×270	BX-e/II(III) 021	600×800×300	318	694	650×740
BX-e/II(III) 010	300×400×150	160	358	328×370	BX-e/II(III) 022	800×1000×300	318	894	850×940
BX-e/II(III) 011	300×400×200	210	358	328×370	BX-e/II(III) 023	1000×1200×300	306	1100	1050×1140
BX-e/II(III) 012	360×360×125	135	418	388×330	BX-e/II(III) 024	1000×1500×400	406	1100	1050×(720+720)

## Empty Enclosures BX-e Series Empty Enclosure (Ex eb IIC)

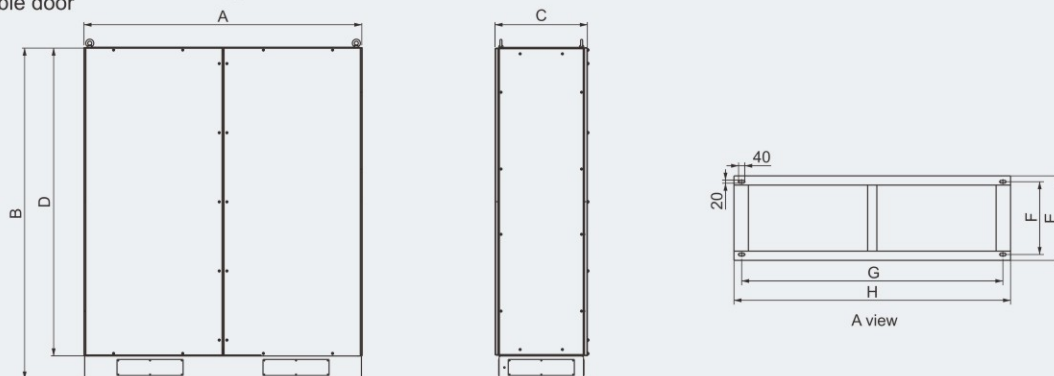
**Selection table of BX-e series empty enclosure** (all dimensions in mm)

Pedestal type

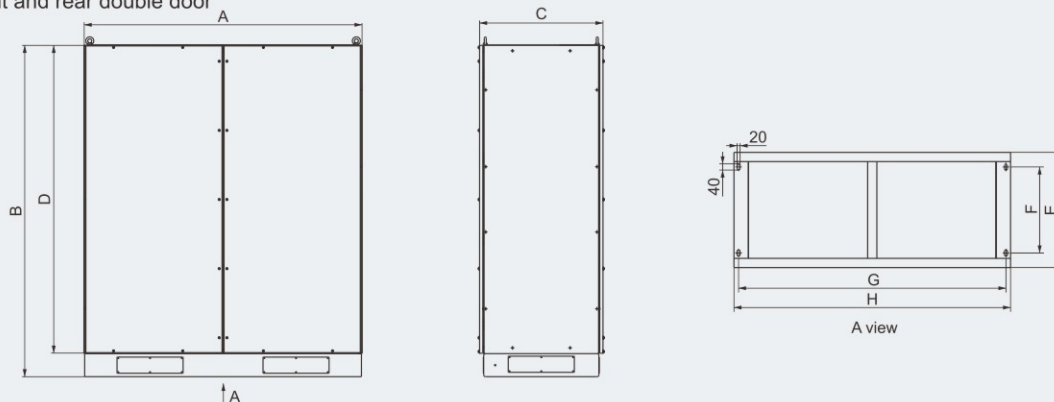
1. Single door



2. Double door



3. Front and rear double door



Model and Specifications	Dimensions	Base Dimensions	Base Mounting Dimensions	Cabinet Height	Note
	A×B×C	E×H	G×F	D	
BX-e/II(III) 025	600×1800×400	600×350	500×274	2010	Single door
BX-e/II(III) 026	800×1800×400	800×350	700×274	2010	
BX-e/II(III) 027	800×2000×400	800×350	700×274	2210	
BX-e/II(III) 028	800×2000×600	800×550	700×474	2210	
BX-e/II(III) 029	1000×2000×600	1000×550	920×474	2210	
BX-e/II(III) 030	1000×1800×400	1000×350	900×274	2010	Double door
BX-e/II(III) 031	1200×1800×400	1200×350	1100×274	2010	
BX-e/II(III) 032	1600×1800×400	1600×350	1500×274	2010	
BX-e/II(III) 033	1200×2000×400	1200×350	1100×274	2210	
BX-e/II(III) 034	1200×2000×600	1200×550	1100×474	2210	
BX-e/II(III) 035	1800×2000×600	1800×550	1700×474	2210	Front and rear double door
BX-e/II(III) 036	1200×2000×800	1200×750	1140×560	2210	
BX-e/II(III) 037	1800×2000×800	1800×750	1740×560	2210	

