

Distribution Boxes

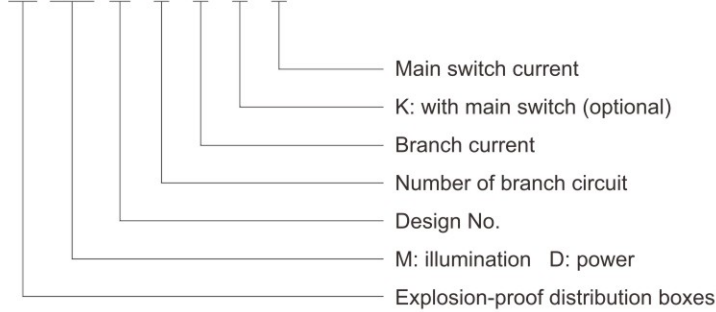
BXM(D)53 Series Explosion-proof Illumination (Power) Distribution Boxes (Ex db eb IIC)



- ◆ Explosion protection to
 - CENELEC
 - IEC
 - NEC
- ◆ Can be used in
 - Zone 1 and Zone 2
 - Zone 21 and Zone 22
 - Class I, Zone 1 and Zone 2
 - Class I, Division 2, Groups A, B, C, D
- ◆ Enclosure for modular combination (Ex d & Ex e).
- ◆ Main switch and branch switch are operated with external rotary actuator.
- ◆ Internal wiring to the terminal is finished.
- ◆ International brand of explosion-proof terminal blocks.
- ◆ Copper-free Aluminium Alloy, powder coated surface.
- ◆ Entries plugged. Cable glands on request (see P7/17~19).
- ◆ Special requirements on request.

■ Catalogue number logic

BX M(D) 53 - □ / □ / □ / □



Zones 1&2; 21&22

Distribution Boxes

BXM53 Series Explosion-proof Illumination Distribution Boxes (Ex db eb IIC)

Technical data

Explosion-proof illumination distribution boxes

BXM53-□/□/□/□

Explosion protection

Global (IECEX)

IECEX CQM 11.0042X

Gas and dust

Ex db eb IIC T6 Gb

Ex tb IIIC T80°C Db IP66

Europe (ATEX)

TÜV CY 18 ATEX 0206016X

Gas and dust

Ⓔ II 2 G Ex db eb IIC T6 Gb

Ⓔ II 2 D Ex tb IIIC T80°C Db IP66

Certificates

IECEX; ATEX; CU-TR

Conformity to standards

EN 60079-0, EN 60079-1, EN 60079-7, EN 60079-31

IEC 60079-0, IEC 60079-1, IEC 60079-7, IEC 60079-31

General power supply

Rated voltage: max. 690V AC 50/60Hz; Rated current: max. 100A

Branch current

1A, 2A, 4A, 6A, 10A, 16A, 20A, 25A, 32A

Exposed fastener

Stainless steel

Enclosure

Enclosure material

Copper-free Aluminium Alloy, powder coated surface

Enclosure colour

Window grey (RAL7040)

Enclosure type

Modular combination (Ex d & Ex e); MCB, MCCB or other components in Ex d compartment, explosion-proof indicators and terminals in Ex e compartment.

Built-in components

Main switch

MCB (miniature circuit breaker) or MCCB (moulded case circuit breaker)

Note: earth leakage protection on request

Branch switch

MCB (miniature circuit breaker) or MCCB (moulded case circuit breaker)

Note: earth leakage protection on request

Terminal

International brand of explosion-proof terminal blocks

Indicator

Red

Degree of protection

IP66

Internal & external earthing

M6/M8

Ambient temperature

-40°C~+55°C

Cable entries

Standard M□×1.5 plug (see the Selection table on P5/14)

Cable gland (optional)

DQM-I (Ex eb) is recommended. Please see P6/20~23

Entry direction

Bottom

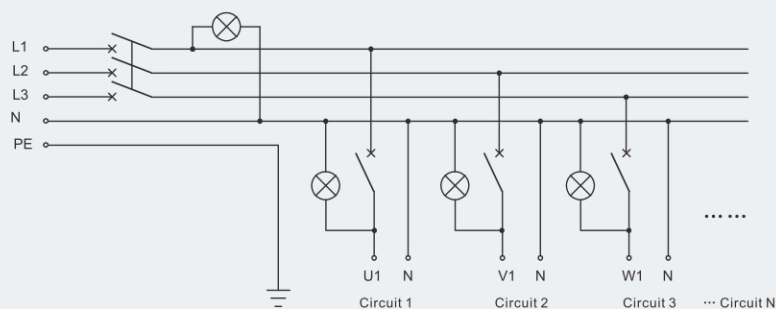
Mounting

Surface type (standard)

Pedestal type (optional)



Electrical schematic diagram



BXM53 Series explosion-proof illumination distribution boxes

Selection table of BXM53 series explosion-proof illumination distribution boxes

Version	Description					Cable entries
	Main switch	Number of branch circuit	Branch switch	Branch current	Number of indicator	
BXM53-4/□/K/□	MCB or MCCB Current: max. 100A	4	MCB 1P/2P	1A 2A 4A 6A 10A 16A 20A 25A 32A On request	1+4	1×M40×1.5 + 4×M25×1.5
BXM53-6/□/K/□		6			1+6	1×M40×1.5 + 6×M25×1.5
BXM53-8/□/K/□		8			1+8	1×M40×1.5 + 8×M25×1.5
BXM53-10/□/K/□		10			1+10	1×M40×1.5 + 10×M25×1.5
BXM53-12/□/K/□		12			1+12	1×M40×1.5 + 12×M25×1.5
BXM53-4/□	—	4	MCB 1P/2P	1A 2A 4A 6A 10A 16A 20A 25A 32A On request	4	1×M40×1.5 + 4×M25×1.5
BXM53-6/□		6			6	1×M40×1.5 + 6×M25×1.5
BXM53-8/□		8			8	1×M40×1.5 + 8×M25×1.5
BXM53-10/□		10			10	1×M40×1.5 + 10×M25×1.5
BXM53-12/□		12			12	1×M40×1.5 + 12×M25×1.5

Note

1. Please specify the number and size of cable entries and sides of the enclosure to be fitted.
2. Electrical schematic diagram shall be provided by user. Photo switch, AC contactor, thermal relay or others on request.
3. Please specify mounting type when ordering.
4. Rainproof canopy on request.



Distribution Boxes

BXD53 Series Explosion-proof Power Distribution Boxes (Ex db eb IIC)

Technical data

Explosion-proof power distribution boxes BXD53-□/□/□/□

Explosion protection

Global (IECEX)

IECEX CQM 11.0042X

Gas and dust

Ex db eb IIC T5 Gb

Ex tb IIIC T80°C Db IP66

Europe (ATEX)

TÜV CY 18 ATEX 0206016X

Gas and dust

Ⓔ II 2 G Ex db eb IIC T5 Gb

Ⓔ II 2 D Ex tb IIIC T80°C Db IP66

Certificates

IECEX; ATEX; CU-TR

Conformity to standards

EN 60079-0, EN 60079-1, EN 60079-7, EN 60079-31

IEC 60079-0, IEC 60079-1, IEC 60079-7, IEC 60079-31

General power supply

Rated voltage: max. 690V AC 50/60Hz; Rated current: max.200A

Branch current

1A, 2A, 4A, 6A, 10A, 16A, 20A, 25A, 32A, 40A, 50A, 63A

Exposed fastener

Stainless steel

Enclosure

Enclosure material

Copper-free Aluminium Alloy, powder coated surface

Enclosure colour

Window grey (RAL7040)

Enclosure type

Modular combination (Ex d & Ex e); MCB, MCCB or other components in Ex d compartment, explosion-proof indicators and terminals in Ex e compartment.

Built-in components

Main switch

MCB (miniature circuit breaker) or MCCB (moulded case circuit breaker)

Note: earth leakage protection on request

Branch switch

MCB (miniature circuit breaker) or MCCB (moulded case circuit breaker)

Note: earth leakage protection on request

Terminal

International brand of explosion-proof terminal blocks

Indicator

Red

Degree of protection

IP66

Internal&external earthing

M6/M8

Ambient temperature

-40°C~+55°C

Cable entries

Standard M□×1.5 plug (see the Selection table on P5/16)

Cable gland (optional)

DQM-I (Ex eb) is recommended. Please see P6/20~23

Entry direction

Bottom

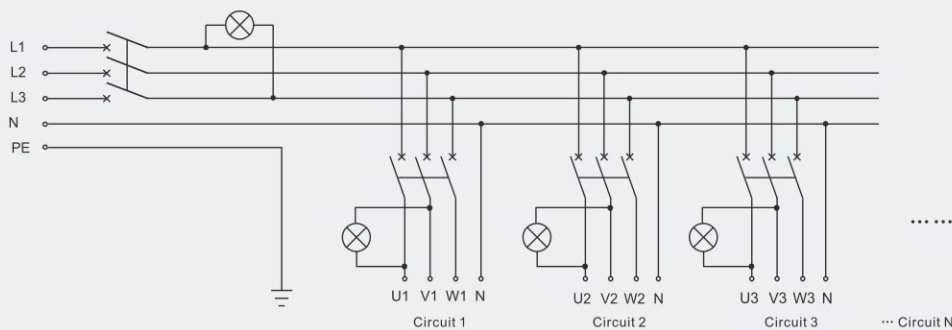
Mounting

Surface type (standard)

Pedestal type (optional)



Electric schematic diagram



BXD53 Series explosion-proof power distribution boxes

Selection table of BXD53 series explosion-proof power distribution boxes

Version	Description					Cable entries
	Main switch	Number of branch circuit	Branch switch	Branch current	Number of indicator	
BXD53-4/□/K/□	MCB or MCCB Current: max. 200A	4	MCB 3P	1A	1+4	1×M50×1.5 + 4×M25×1.5
BXD53-6/□/K/□		6		2A	1+6	1×M50×1.5 + 6×M25×1.5
BXD53-8/□/K/□		8		4A	1+8	1×M50×1.5 + 8×M25×1.5
BXD53-10/□/K/□		10		6A	1+10	1×M50×1.5 + 10×M25×1.5
BXD53-12/□/K/□		12		10A	1+12	1×M50×1.5 + 12×M25×1.5
BXD53-4/□	—	4	MCB 3P	16A	4	1×M50×1.5 + 4×M25×1.5
BXD53-6/□		6		20A	6	1×M50×1.5 + 6×M25×1.5
BXD53-8/□		8		25A	8	1×M50×1.5 + 8×M25×1.5
BXD53-10/□		10		32A	10	1×M50×1.5 + 10×M25×1.5
BXD53-12/□		12		40A	12	1×M50×1.5 + 12×M25×1.5
				50A		
				63A		
				On request		

Note

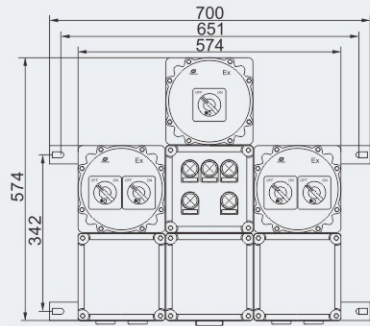
1. Please specify the number and size of cable entries and sides of the enclosure to be fitted.
2. Electrical schematic diagram shall be provided by user. Photo switch, AC contactor, thermal relay or others on request.
3. Please specify mounting type when ordering.
4. Rainproof canopy on request.



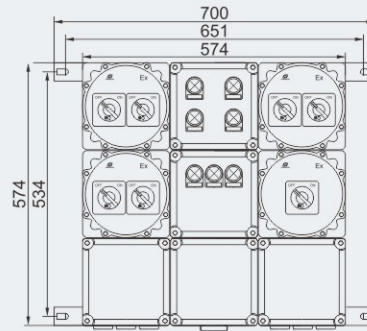
Distribution Boxes

BXM(D)53 Series Explosion-proof Illumination (Power) Distribution Boxes (Ex db eb IIC)

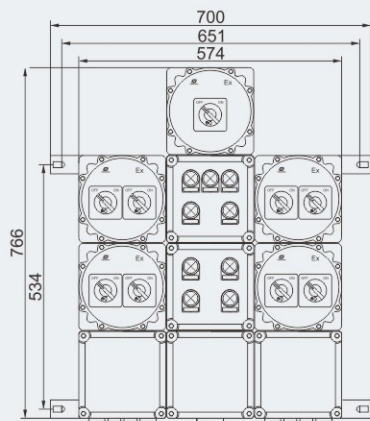
Dimension drawings (all dimensions in mm) - subject to alteration



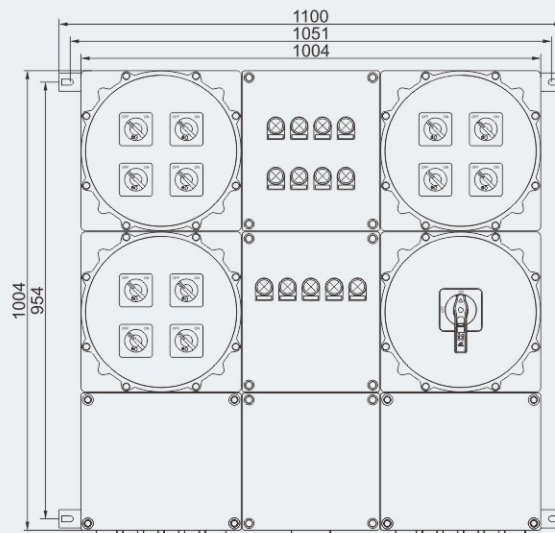
BXM(D)53-4/□/K/□



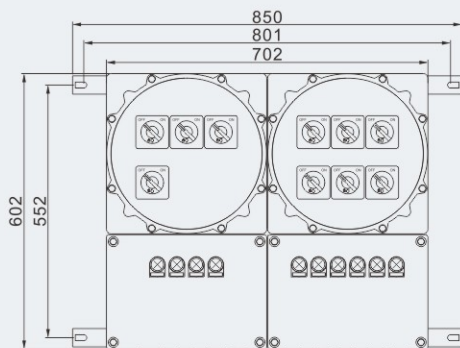
BXM(D)53-6/□/K/□



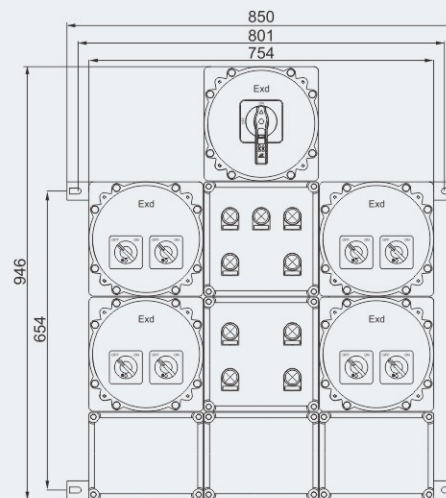
BXM(D)53-8/□/K/□



BXM(D)53-12/□/K/□



BXM(D)53-8/□/K/□
(with electrical surge protection device)



BXM(D)53-4/□/K/□
(magnetic force)

