

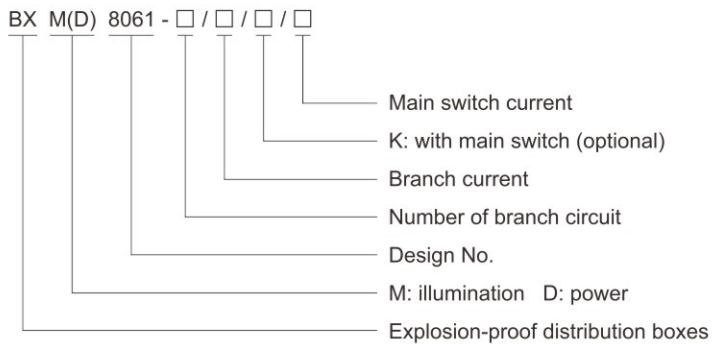
Distribution Boxes

BXM(D)8061 Series Explosion-proof Illumination (Power) Distribution Boxes (Ex db eb IIC)



- ◆ Explosion protection to
 - CENELEC
 - IEC
 - NEC
- ◆ Can be used in
 - Zone 1 and Zone 2
 - Zone 21 and Zone 22
 - Class I, Zone 1 and Zone 2
 - Class I, Division 2, Groups A, B, C, D
- ◆ Enclosure for modular combination (Ex e).
- ◆ Main switch and branch switch are operated with external rotary actuator.
- ◆ Internal wiring to the terminal is finished.
- ◆ International brand of explosion-proof terminal blocks.
- ◆ Enclosure: stainless steel.
- ◆ Entries plugged. Cable glands on request (see P6/19).
- ◆ Special requirements on request.

■ Catalogue number logic



■ Note

1. Please refer to the Selection table on P5/71.
2. Please select internal components as below:
 - BL8060 Series explosion-proof circuit breaker modules on P5/72~77.
 - BRT8060 Series explosion-proof fuses on P5/78~79.



Zones 1&2; 21&22

Distribution Boxes

BXM8061 Series Explosion-proof Illumination Distribution Boxes (Ex db eb IIC)

Technical data

Explosion-proof illumination distribution boxes

BXM8061-□/□/□/□

Explosion protection

Global (IECEX)

IECEX CQM 22.0002X

Gas and dust

Ex db eb mb IIC T5 Gb (Ta: -20°C~+40°C)

Ex db eb mb IIC T4 Gb (Ta: -20°C~+55°C)

Ex tb IIIC T80°C Db (Ta: -20°C~+55°C)

When the product is equipped with an explosion-proof heater, the marking is:

Ex db eb mb IIC T4 Gb (Ta: -20°C~+45°C)

Ex tb IIIC T80°C Db (Ta: -20°C~+45°C)

Europe (ATEX)

TUV CY 22 ATEX 0206669X

Gas and dust

Ⓔ II 2 G Ex db eb mb IIC T5 Gb (Ta: -20°C~+40°C)

Ⓔ II 2 G Ex db eb mb IIC T4 Gb (Ta: -20°C~+55°C)

Ⓔ II 2 D Ex tb IIIC T80°C Db (Ta: -20°C~+55°C)

When the product is equipped with an explosion-proof heater, the marking is:

Ⓔ II 2 G Ex db eb mb IIC T4 Gb (Ta: -20°C~+45°C)

Ⓔ II 2 D Ex tb IIIC T80°C Db (Ta: -20°C~+45°C)

Certificates

IECEX; ATEX; CU-TR

Conformity to standards

EN 60079-0, EN 60079-1, EN 60079-7, EN 60079-18, EN 60079-31

IEC 60079-0, IEC 60079-1, IEC 60079-7, IEC 60079-18, IEC 60079-31

Rated voltage

Max. AC 690V 50/60Hz, Max. DC 500V

Rated current

Max. 250A

Exposed fastener

Stainless steel

Enclosure

Enclosure material

Stainless steel

Enclosure type

Ex e

Built-in components

Main switch

BL8060 Please see P5/72~77

Note: earth leakage protection on request

Branch switch

BL8060 Please see P5/72~77

Note: earth leakage protection on request

Terminal

International brand of explosion-proof terminal blocks

Indicator

Red

Degree of protection

IP66

Ambient temperature

-20°C~+55°C(+45°C/+40°C)

Cable entries

Standard M□×1.5 plug (see the Selection Table on P5/68)

Cable gland (optional)

DQM-I/I (Ex eb, plastic) is recommended.

Entry direction

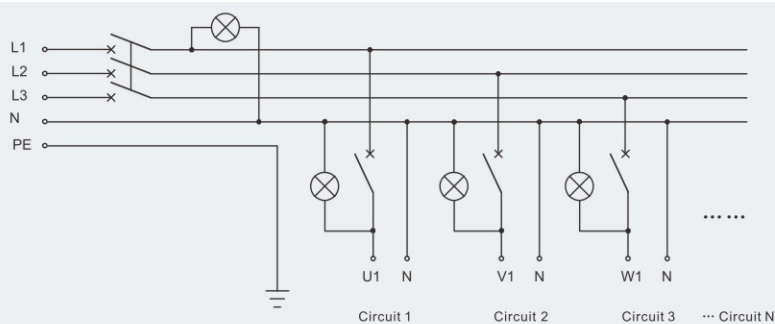
Bottom

Mounting

Surface type (standard)



Electrical schematic diagram



BXM8061 Series explosion-proof illumination distribution boxes

Selection table of BXM8061 series explosion-proof illumination distribution boxes

Version	Description					Cable entries
	Main switch	Number of branch circuit	Branch switch	Branch current	Number of indicator	
BXM8061-4/□/K/□	BL8060	4	BL8060 1P/2P	1A 2A 4A 6A 10A 16A 20A 25A 32A On request	3	1×M40×1.5 + 4×M25×1.5
BXM8061-6/□/K/□		6			3	1×M40×1.5 + 6×M25×1.5
BXM8061-8/□/K/□		8			3	1×M40×1.5 + 8×M25×1.5
BXM8061-10/□/K/□		10			3	1×M40×1.5 + 10×M25×1.5
BXM8061-12/□/K/□		12			3	1×M40×1.5 + 12×M25×1.5
BXM8061-4/□	—	4	BL8060 1P/2P	1A 2A 4A 6A 10A 16A 20A 25A 32A On request	3	1×M40×1.5 + 4×M25×1.5
BXM8061-6/□		6			3	1×M40×1.5 + 6×M25×1.5
BXM8061-8/□		8			3	1×M40×1.5 + 8×M25×1.5
BXM8061-10/□		10			3	1×M40×1.5 + 10×M25×1.5
BXM8061-12/□		12			3	1×M40×1.5 + 12×M25×1.5

Note

1. Please specify the number and size of cable entries and sides of the enclosure to be fitted.
2. Electrical schematic diagram shall be provided by user. Photo switch, AC contactor, thermal relay or others on request.
3. Please specify mounting type when ordering.
4. Rainproof canopy on request.



Distribution Boxes

BXD8061 Series Explosion-proof Power Distribution Boxes (Ex db eb IIC)

Technical data

Explosion-proof power distribution boxes BXD8061-□/□/□/□

Explosion protection

Global (IECEX)

IECEX CQM 22.0002X

Gas and dust

Ex db eb mb IIC T5 Gb (Ta: -20°C~+40°C)

Ex db eb mb IIC T4 Gb (Ta: -20°C~+55°C)

Ex tb IIIC T80°C Db (Ta: -20°C~+55°C)

When the product is equipped with an explosion-proof heater, the marking is:

Ex db eb mb IIC T4 Gb (Ta: -20°C~+45°C)

Ex tb IIIC T80°C Db (Ta: -20°C~+45°C)

Europe (ATEX)

TUV CY 22 ATEX 0206669X

Gas and dust

Ⓔ II 2 G Ex db eb mb IIC T5 Gb (Ta: -20°C~+40°C)

Ⓔ II 2 G Ex db eb mb IIC T4 Gb (Ta: -20°C~+55°C)

Ⓔ II 2 D Ex tb IIIC T80°C Db (Ta: -20°C~+55°C)

When the product is equipped with an explosion-proof heater, the marking is:

Ⓔ II 2 G Ex db eb mb IIC T4 Gb (Ta: -20°C~+45°C)

Ⓔ II 2 D Ex tb IIIC T80°C Db (Ta: -20°C~+45°C)

Certificates

IECEX; ATEX; CU-TR

Conformity to standards

EN 60079-0, EN 60079-1, EN 60079-7, EN 60079-18, EN 60079-31

IEC 60079-0, IEC 60079-1, IEC 60079-7, IEC 60079-18, IEC 60079-31

Rated voltage

Max. AC 690V 50/60Hz, Max. DC 500V

Rated current

Max. 250A

Exposed fastener

Stainless steel

Enclosure

Enclosure material

Stainless steel

Enclosure type

Ex e

Built-in components

Main switch

BL8060 Please see P5/72~77

Note: earth leakage protection on request

Branch switch

BL8060 Please see P5/72~77

Note: earth leakage protection on request

Terminal

International brand of explosion-proof terminal blocks

Indicator

Red

Degree of protection

IP66

Ambient temperature

-20°C~+55°C(+45°C/+40°C)

Cable entries

Standard M□×1.5 plug (see the Selection table on P5/70)

Cable gland (optional)

DQM-I/I (Ex eb, plastic) is recommended.

Entry direction

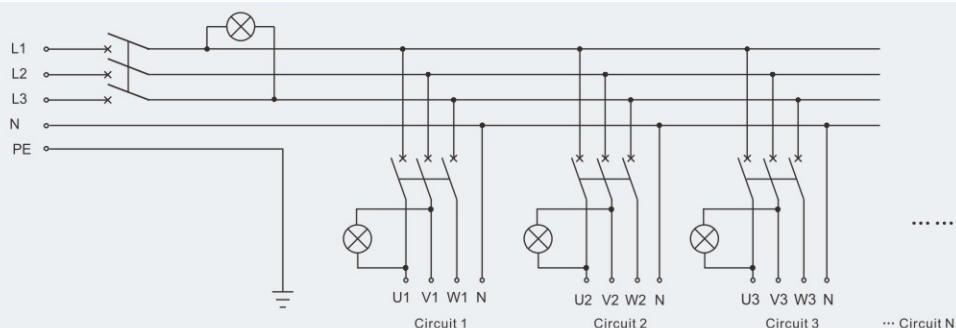
Bottom

Mounting

Surface type (standard)



Electrical schematic diagram



BXD8061 Series explosion-proof power distribution boxes

Selection table of BXD8061 series explosion-proof power distribution boxes

Version	Description					Cable entries
	Main switch	Number of branch circuit	Branch switch	Branch current	Number of indicator	
BXD8061-4/□/K/□	BL8060	4	BL8060 3P	1A	3	1×M50×1.5 + 4×M25×1.5
BXD8061-6/□/K/□		6		2A		3
BXD8061-8/□/K/□		8		4A	3	
BXD8061-10/□/K/□		10		6A		3
BXD8061-12/□/K/□		12		10A	3	
	Current: max. 250A			16A		
				20A		
				25A		
				32A		
				40A		
				50A		
				63A		
				On request		
BXD8061-4/□	—	4	BL8060 3P	1A	3	1×M50×1.5 + 4×M25×1.5
BXD8061-6/□		6		2A		3
BXD8061-8/□		8		4A	3	
BXD8061-10/□		10		6A		3
BXD8061-12/□		12		10A	3	
				16A		
				20A		
				25A		
				32A		
				40A		
				50A		
				63A		
				On request		

Note

1. Please specify the number and size of cable entries and sides of the enclosure to be fitted.
2. Electrical schematic diagram shall be provided by user. Photo switch, AC contactor, thermal relay or others on request.
3. Please specify mounting type when ordering.
4. Rainproof canopy on request.



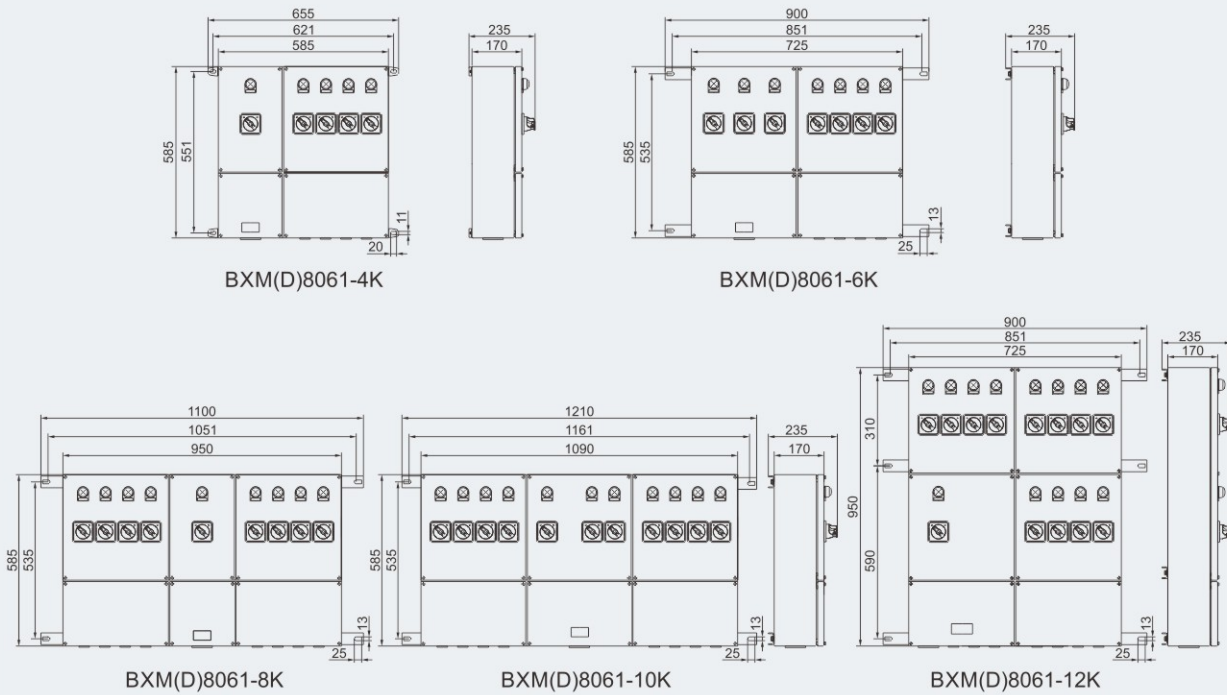
Distribution Boxes

BXM(D)8061 Series Explosion-proof Illumination (Power) Distribution Boxes (Ex db eb IIC)

Dimension drawings (all dimensions in mm) - subject to alteration

Note: The following drawings are suitable for:

BXM(D)8061 main switch: 63A, branch switch (3P/2P/1P) without earth leakage protection.



Note: The following drawings are suitable for:

BXM(D)8061 main switch: 80A~250A, branch switch (3P/2P/1P) without earth leakage protection.

