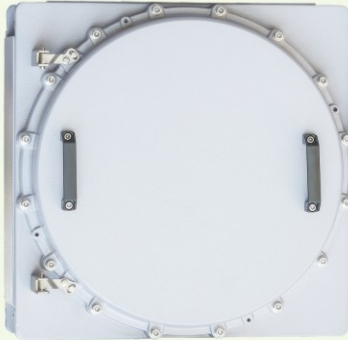


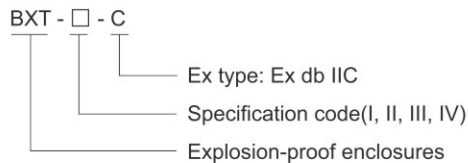
Empty Enclosures

BXT-□-C Series Explosion-proof Enclosures (Ex db IIC)



- ◆ Explosion protection to
 - CENELEC
 - IEC
 - NEC
- ◆ Can be used in
 - Zone 1 and Zone 2
 - Zone 21 and Zone 22
 - Class I, Zone 1 and Zone 2
 - Class I, Division 1, Groups C, D
- ◆ Flameproof enclosure (Ex db IIC) in Copper-free Aluminium Alloy, formed of low pressure casting.
- ◆ Cable entries can be drilled and components can be installed by user on request.
- ◆ Safety shall be considered when installing components according to related electrical standards.
- ◆ Professionaly designed explosion-proof large enclosure provides space for more components.
- ◆ Adopting high-precision machining, excellent explosion-proof performance.
- ◆ Professionally designed door handles, reliable and safe when opening the door.
- ◆ Professionally designed hinges, reliable and safe when opening the door.
- ◆ Special requirements on request.

Catalogue number logic



Technical data

Explosion-proof enclosures	BXT-□-C
Explosion protection	
Global (IECEX)	IECEX (applied for)
Gas and dust	Ex db IIC Gb
	Ex tb IIIC Db
Europe (ATEX)	ATEX (applied for)
Gas and dust	⊕ II 2 G Ex db IIC Gb
	⊕ II 2 D Ex tb IIIC Db
Certificates	IECEX; ATEX
Conformity to standards	EN 60079-0, EN 60079-1, EN 60079-31
	IEC 60079-0, IEC 60079-1, IEC 60079-31
Degree of protection	IP66
Internal&external earthing	M8/M8
Ambient temperature	-60°C~+200°C
Enclosure material	Copper-free Aluminium Alloy, powder coated surface, window grey (RAL7040)
Exposed fastener	Stainless steel
Mounting feet	Carbon steel, power coated surface
Hinge	With hinge

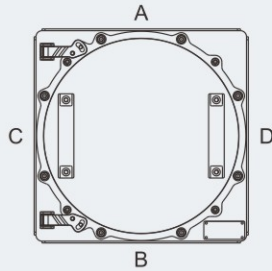
Zones 1&2; 21&22

Empty Enclosures

BXT-□-C Series Explosion-proof Enclosures (Ex db IIC)

Selection table of BXT-□-C series explosion-proof enclosures (all dimensions in mm)

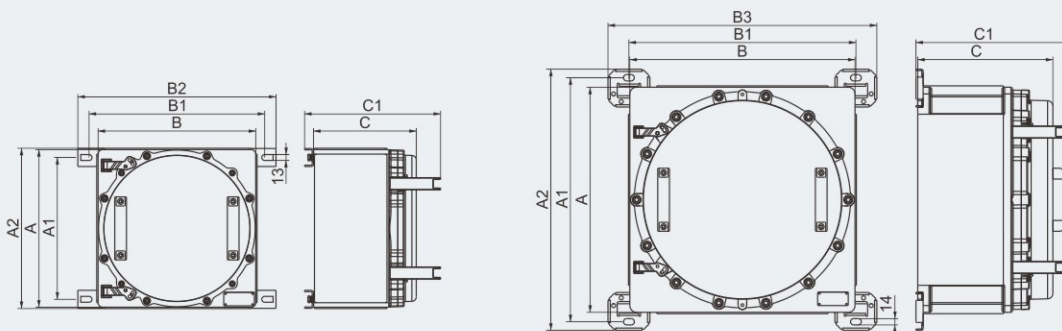
Table of max. number of possible enclosure entries



Type	A/B/C/D side		Thread spec.
	Hole QTY	Hole distance range(mm)	
BXT-I-C	8	50~60	NPT 1/2", M20×1.5, NPT 3/4", M25×1.5
	3	70~80	NPT 1", M32×1.5, NPT 1 1/4", M40×1.5
	2	90~100	NPT 1 1/2", M50×1.5, NPT 2", M63×1.5
	2	90~110	M42×2
BXT-II-C	14	50~60	NPT 1/2", M20×1.5, NPT 3/4", M25×1.5
	7	70~80	NPT 1", M32×1.5, NPT 1 1/4", M40×1.5
	3	90~100	NPT 1 1/2", M50×1.5, NPT 2", M63×1.5
	2	120~130	NPT 2 1/2", M75×1.5
	4	90~100	M65×2
BXT-III-C	18	50~60	NPT 1/2", M20×1.5, NPT 3/4", M25×1.5
	8	70~80	NPT 1", M32×1.5, NPT 1 1/4", M40×1.5
	5	90~100	NPT 1 1/2", M50×1.5, NPT 2", M63×1.5
	2	120~130	NPT 2 1/2", M75×1.5
BXT-IV-C	21	50~60	NPT 1/2", M20×1.5, NPT 3/4", M25×1.5
	10	70~80	NPT 1", M32×1.5, NPT 1 1/4", M40×1.5
	7	90~100	NPT 1 1/2", M50×1.5, NPT 2", M63×1.5
	3	120~130	NPT 2 1/2", M75×1.5



Dimension drawings (all dimensions in mm) - subject to alteration



Model	Version	Dimension (mm)							
		A	B	C	A1	A2	B1	B2	C1
BXT-I-C	250×250	250	250	168	212	252	290	340	188
BXT-II-C	350×350	250	250	228	315	356	190	440	188
BXT-III-C	500×500	500	500	300	542	580	504	597	344
BXT-IV-C	600×600	600	600	300	642	680	604	697	344

Note: For cable entries:

- 1). Please specify the direction and size of each cable entry.
- 2). Cable gland is optional, DQM-II (Ex d) or DQM-III (Ex d) is recommended, please see P6/24~39.