

HR-BLZD-I□LROE3W-FAYD 系列消防应急标志灯具

HR-BLZD-I□LROE3W-FAYD Series Fire Emergency Exit Light Fittings



Waterproof



Dustproof



Corrosionproof

GB

IEC

EN

GOST

型号规格含义 Nomenclature

HR-BLZD-I□LROE3W-FAYD - □ □

标志牌代号: A~D Sign code: A-D

安装方式 | b: 壁式 Wall type
Mounting | g: 吊杆式 Pendant pole type

消防应急标志灯具 Fire emergency exit light fittings

注: □LROE3W中□为数字1时为单面, □为数字2时为双面。

Note: In □LROE3W, a digit of 1 in □ denotes single-sided, a digit of 2 indicates double-sided.

产品特点 Product features

- ◆ 本产品执行GB17945《消防应急照明和疏散指示系统》标准;
- ◆ 工程塑料外壳;
- ◆ 内置免维护电池组, 在正常供电下自动充电, 事故断电或停电时应急灯自动点亮;
- ◆ 应急灯自动切换应急, 并具有过放电和过充电保护等功能;
- ◆ 应急专用式, LED光源, 仅在应急时工作;
- ◆ 设有月检功能, 每月自动放电一次, 应急工作状态维持120s, 自动恢复主电状态;
- ◆ 设有年检功能, 每隔一年自动由主电转入应急工作状态并持续至放电终止, 然后自动恢复主电状态;
- ◆ 钢管或电缆布线均可。
- ◆ This product executes GB17945 standard "Fire emergency lighting and evacuation instruction system".
- ◆ Engineering plastics enclosure.
- ◆ Built-in maintenance-free battery pack, charging automatically under normal power supply, when the power source is cut off, it will be switched to emergency status.
- ◆ With overcharging and over discharging protection, emergency lights switch to emergency status automatically.
- ◆ Emergency special type, LED light source, only works under emergency status.
- ◆ With monthly inspection function, automatic charging once a month, emergency working status maintains 120s and then recover to main supply status automatically.
- ◆ With yearly inspection function, switch from main supply status to emergency working conditions every other year and continue to the end of discharging, and then back to main supply status.
- ◆ Steel pipe or cable wiring is optional.



HR-BLZD-I□LROE3W-FAYD 系列消防应急标志灯具

HR-BLZD-I□LROE3W-FAYD Series Fire Emergency Exit Light Fittings

产品规格 Product specifications

型号规格 Model Specifications	灯具功率 Lamp power	应急时间 Emergency time	重量 Weight
HR-BLZD-I1LROE3W-FAYD	3W	120min(180min可选 Optional)	1.6kg

产品描述 Product description

执行标准：中国GB标准
额定电压：220V AC 50/60Hz

Executive standards: Chinese GB standards
Rated voltage: 220V AC 50/60Hz

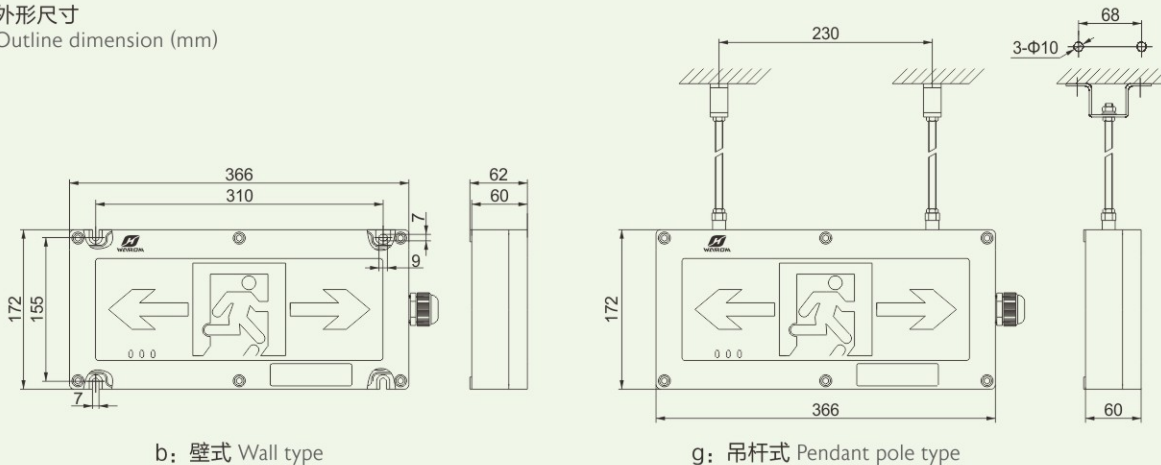
执行标准：国际IEC标准 / 欧盟EN标准
额定电压：220V~240V AC 50/60Hz

Executive standards: International IEC standards /
European EN standards
Rated voltage: 220V~240V AC 50/60Hz

环境温度：-25℃~+55℃
防护等级：IP66
引入装置：1×M25×1.5(2×M25×1.5可选)引入规格，
适合Φ9mm~Φ16mm电缆

Ambient temperature: -25℃~+55℃
Degree of protection: IP66
Cable gland: 1×M25×1.5 (2×M25×1.5 optional) entry specification,
suitable for cable of Φ9mm~Φ16mm

外形尺寸
Outline dimension (mm)



b: 壁式 Wall type

g: 吊杆式 Pendant pole type



标志牌代号 Shape size



A型 Type A



B型 Type B



C型 Type C



D型 Type D

订货须知 Ordering Information

- ◆ 注明执行标准、工作电压、环境温度;
- ◆ 按照产品型号规格说明逐条选择,
例如: 需要消防应急照明灯具, 单面面板, B型标志牌, 壁式
安装, 则产品选型为HR-BLZD-I1LROE3W-FAYD-bB。

- ◆ Specify the executive standard, working voltage, environment temperature.
- ◆ Follow the product nomenclature for selection.
For example: For fire emergency exit sign light fittings, single-sided panel, Type B sign, wall-mounted, the product type shall be HR-BLZD-I1LROE3W-FAYD-bB.