

FAM-E系列高效节能LED马路灯

FAM-E Series High Efficiency Energy-saving LED Street Lamps



Waterproof



Dustproof



Corrosionproof

GB

IEC

EN

GOST

型号规格含义 Nomenclature



产品特点 Product features

- ◆ 铝合金散热壳体;
- ◆ 钢化玻璃透明罩, 透光率高;
- ◆ 配置多颗国际品牌LED光源, 整灯光效110~120lm/W;
- ◆ 配置路灯专用透镜, 能显著提高利用系数, 减少电能消耗;
- ◆ 特制的恒流驱动电源, 宽电压输入, 恒功率输出, 功率因数 ≥ 0.95 , 具有防雷、防浪涌功能;
- ◆ 防腐等级: WF1、WF2(可选)。
- ◆ Aluminium alloy heat dissipation enclosure.
- ◆ Tempered glass transparent cover, high light transmittance.
- ◆ Equipped with multiple international brand LED lamps, whole lamp lighting efficiency 110-120lm/W.
- ◆ Equipped with street light specialized lens, can highly improve the utilization factor, reduce power consumption.
- ◆ Specially-made constant current driving power, wide voltage input, constant power output, power factor ≥ 0.95 , with lightning protection, and surge resistance functions.
- ◆ Corrosion-proof: WF1, WF2 (Optional).

订货须知 Ordering Information

- ◆ 注明执行标准、工作电压、环境温度;
- ◆ 按照产品型号规格说明逐条选择, 例如: FAM-E01-100 表示为01灯具100W高效节能LED马路灯;
- ◆ 本灯具出厂时已配光源;
- ◆ 灯杆选型见P2/089。
- ◆ Specify the executive standard, working voltage, environment temperature.
- ◆ Follow the product nomenclature for selection. For example: FAM-E01-100 means 01 light fitting, 100W high efficiency energy-saving LED street lamp.
- ◆ The light fittings are supplied with light source.
- ◆ Lamp pole selection sees P2/089.



FAM-E系列高效节能LED马路灯

FAM-E Series High Efficiency Energy-saving LED Street Lamps

产品规格 Product specifications

型号规格 Model Specifications	灯具功率 Lamp power	灯具有光通量 Lamp luminous flux	壳体类型 Enclosure type	重量 Weight
FAM-E01 80	80W	≥9600lm	I	4.7kg
FAM-E01 100	100W	≥12000lm	II	7.4kg
FAM-E01 120	120W	≥15000lm		7.5kg
FAM-E01 160	160W	≥19500lm	III	10.7kg
FAM-E01 200	200W	≥24000lm		10.9kg

产品描述 Product description

执行标准：中国GB标准
额定电压：220V~240V AC 50/60Hz

Executive standards: Chinese GB standards
Rated voltage: 220V-240V AC 50/60Hz

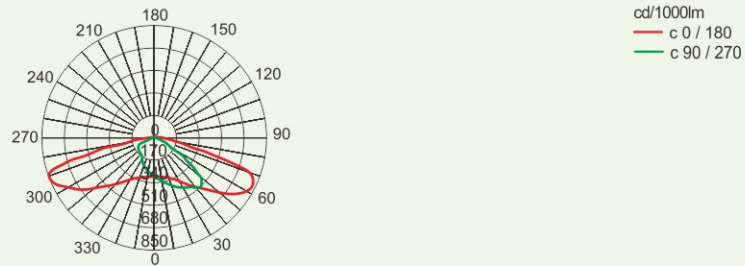
执行标准：国际IEC标准 / 欧盟EN标准 / 北美标准
额定电压：100V~277V AC 50/60Hz

Executive standards: International IEC standards / European EN standards / American standards
Rated voltage: 100V-277V AC 50/60Hz

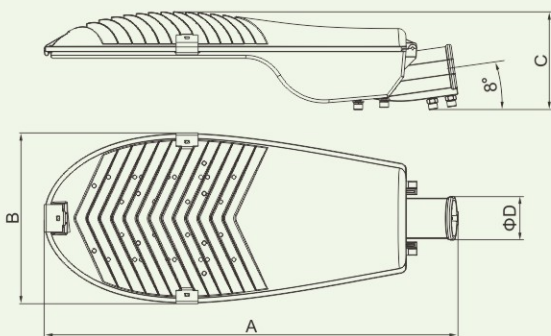
环境温度：-40℃~+55℃(-60℃~+60℃ 可选)
防护等级：IP66
引入装置(可选)：M20×1.5引入口规格，
适合Φ6mm~Φ10mm电缆

Ambient temperature: -40℃~+55℃(-60℃~+60℃ optional)
Degree of protection: IP66
Cable gland (optional): M20×1.5 entry specification,
suitable for cable of Φ6mm~Φ10mm

配光曲线
Luminous intensity
distribution



外形尺寸
Outline dimension (mm)



壳体类型 Enclosure type	A	B	C	D
I 型 Type I	655	268	150	65
II 型 Type II	752	310	178	65
III 型 Type III	863	359	199	65

FAM-E系列高效节能LED马路灯

FAM-E Series High Efficiency Energy-saving LED Street Lamps

产品规格 Product specifications

型号规格 Model Specifications	灯具功率 Lamp power	灯具光通量 Lamp luminous flux	壳体类型 Enclosure type	重量 Weight
FAM-E02 80	80W	≥9600lm	I	4.2kg
FAM-E02 100	100W	≥12000lm		4.3kg
FAM-E02 120	120W	≥15000lm		4.5kg
FAM-E02 150	150W	≥18000lm	II	5.5kg
FAM-E02 180	180W	≥22000lm		5.7kg

产品描述 Product description

执行标准：中国GB标准

额定电压：220V~240V AC 50/60Hz

Executive standards: Chinese GB standards

Rated voltage: 220V-240V AC 50/60Hz

执行标准：国际IEC标准 / 欧盟EN标准 / 北美标准

额定电压：100V~277V AC 50/60Hz

Executive standards: International IEC standards / European EN standards / American standards

Rated voltage: 100V-277V AC 50/60Hz

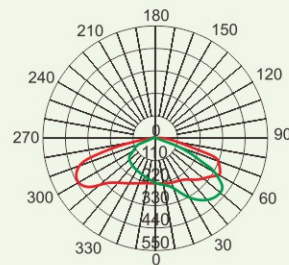
环境温度：-40℃~+55℃(-60℃~+60℃ 可选)

防护等级：IP66

引入装置(可选)：M20×1.5引入规格，
适合Φ6mm~Φ10mm电缆

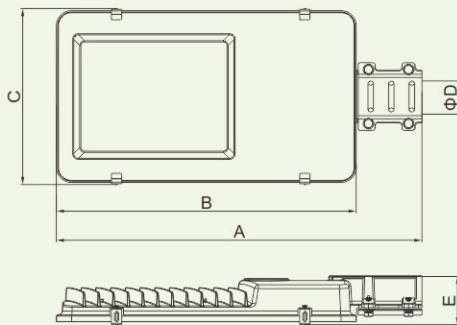
Ambient temperature: -40℃~+55℃(-60℃~+60℃ optional)

Degree of protection: IP66

Cable gland (optional): M20×1.5 entry specification,
suitable for cable of Φ6mm-Φ10mm配光曲线
Luminous intensity
distributioncd/1000lm
— c 0 / 180
— c 90 / 270

外形尺寸

Outline dimension (mm)



壳体类型 Enclosure type	A	B	C	D	E
I 型 Type I	534	438	258	60	70
II 型 Type II	701	580	271	60	79



FAM-E系列高效节能LED马路灯

FAM-E Series High Efficiency Energy-saving LED Street Lamps

产品规格 Product specifications

型号规格 Model Specifications	灯具功率 Lamp power	灯具有光通量 Lamp luminous flux	壳体类型 Enclosure type	重量 Weight
FAM-E03 50	50W	≥5500lm	I	1.0kg
FAM-E03 60	60W	≥6600lm		
FAM-E03 80	80W	≥8800lm	II	1.7kg
FAM-E03 100	100W	≥11000lm		
FAM-E03 120	120W	≥13200lm	III	2.4kg
FAM-E03 150	150W	≥16500lm		

产品描述 Product description

执行标准：中国GB标准

额定电压：220V~240V AC 50/60Hz

环境温度：-25℃~+45℃

防护等级：IP66

Executive standards: Chinese GB standards

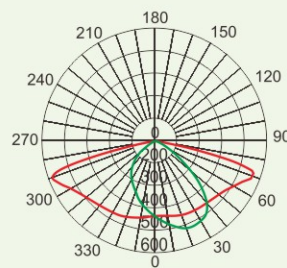
Rated voltage: 220V-240V AC 50/60Hz

Ambient temperature: -25°C+45°C

Degree of protection: IP66

配光曲线

Luminous intensity distribution

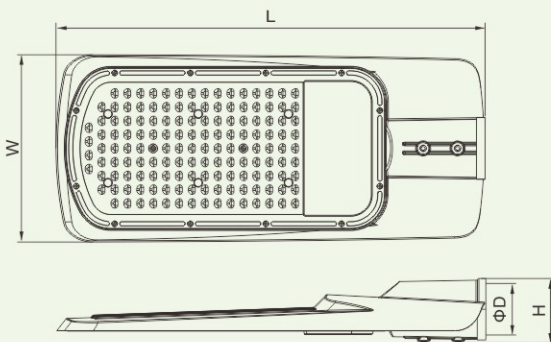


cd/1000lm
— c 0 / 180
— c 90 / 270



外形尺寸

Outline dimension (mm)



壳体类型 Enclosure type	L	W	H	D
I型 Type I	410	170	63	50
II型 Type II	499	218	75	60
III型 Type III	601	261	76	60