

FAD-T 系列防水防尘防腐工矿灯(B型) FAD-T Series Weatherproof Industrial Light Fittings (Type B)



GB IEC EN GOST

型号规格含义 Nomenclature

FAD-T-□□□B



灯罩: 钢化玻璃罩 Lampshade: Toughened glass

x1: 吸顶式1 x1: Ceiling type 1

x2: 吸顶式2 x1: Ceiling type 2

h: 护栏式 h: Fence type

安装方式
Mounting

f: 法兰式 f: Flange type

b1: 壁式30° b1: Wall type 30°

b2: 壁式90° b2: Wall type 90°

g: 吊杆式 g: Pendant pole type

光源功率 Lamp power

光源类型 Lamp type | L: 金卤灯 L: Metal halide lamp

| N: 高压钠灯 N: High pressure sodium lamp

工矿灯 Industrial lamp

防水防尘防腐灯 Weatherproof light fitting

FAD-T 系列防水防尘防腐工矿灯(B型)

FAD-T Series Weatherproof Industrial Light Fittings (Type B)

产品特点 Product features

- ◆ 铝合金压铸壳体，表面高压静电喷塑；
- ◆ 钢化玻璃透明罩，棱晶防眩光设计；
- ◆ 镇流器、光源、内部附件与灯具一体式设计，使用安装方便；
- ◆ 防腐等级：WF1、WF2 (可选)。
- ◆ Die-casting aluminum alloy enclosure, high-voltage electrostatic powder coated surface.
- ◆ Toughened glass transparent cover, prism and anti-glare design.
- ◆ The ballast, light source, internal components and lamp are of integrated type, easy for mounting.
- ◆ Corrosion-proof: WF1, WF2 (Optional).

产品规格 Product specifications

型号规格 Model Specifications	高压钠灯(N) High pressure sodium lamp (N)	金卤灯(L) Metal halide lamp (L)	灯座规格 Lampholder specification	壳体类型 Enclosure type	重量 Weight
FAD-T-□B	70W、110/100W	70W、100W、150W	E27	I	5.6kg
FAD-T-□B	150W、250W	250W	E40	II	8.5kg
FAD-T-□B	400W	400W	E40	III	14.7kg

订货须知 Ordering Information

- ◆ 注明执行标准、工作电压、环境温度；
- ◆ 按照产品型号规格说明逐条选择，
例如：需要金卤灯70W吊杆式安装，钢化玻璃灯罩，
则产品选型为FAD-T-L70g B；
- ◆ 本灯具出厂时不配光源，由用户自配，建议配置飞利浦、
欧司朗；中国标准、国际标准、欧盟标准产品
金卤灯250W、400W需配置欧标光源；
- ◆ 本灯具常规出厂时不配灯伞，若需配置，请在订货时注明。
- ◆ Specify the executive standard, working voltage, environment temperature.
- ◆ Follow the product nomenclature for selection.
For example: 70W metal halide lamp, pendant pole type, toughened glass lampshade, the product type shall be FAD-T-L70g B.
- ◆ Light fittings are supplied without light sources. Philips and Osram Brands are recommended. European standard light sources should be provided for Chinese national standard and European standard 250W and 400W metal halide lamp.
- ◆ Light fittings are supplied without lampshade, please specify if needed.



FAD-T 系列防水防尘防腐工矿灯(B型)

FAD-T Series Weatherproof Industrial Light Fittings (Type B)

产品描述 Product description

执行标准: 中国GB标准

额定电压: 220V AC 50Hz, 60Hz(可选)

Executive standards: Chinese GB standards

Rated voltage: 220V AC 50Hz, 60Hz(Optional)

执行标准: 国际IEC标准 / 欧盟EN标准

额定电压: 220V~240V AC 50Hz, 60Hz(可选)

Executive standards: International IEC standards /
European EN standards

Rated voltage: 220V~240V AC 50Hz, 60Hz(Optional)

环境温度: $-40^{\circ}\text{C}\sim+55^{\circ}\text{C}$ ($-60^{\circ}\text{C}\sim+60^{\circ}\text{C}$ 可选)

防护等级: IP65/IP66(可选)

引入装置: G3/4"引入口规格, 适合 $\Phi 10\text{mm}\sim\Phi 14\text{mm}$ 电缆接线端子: $\leq 2.5\text{mm}^2$ 导线可靠连接安装方式: 吸顶式1(x1)、吸顶式2(x2)、壁式30° (b1)、
壁式90° (b2)、吊杆式(g)、法兰式(f)、护栏式(h)Ambient temperature: $-40^{\circ}\text{C}\sim+55^{\circ}\text{C}$ ($-60^{\circ}\text{C}\sim+60^{\circ}\text{C}$ Optional)

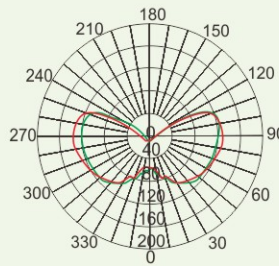
Degree of protection: IP66/IP65(Optional)

Cable gland: G3/4" entry specification, suitable for cable
of $\Phi 10\text{mm}\sim\Phi 14\text{mm}$ Terminal: $\leq 2.5\text{mm}^2$ reliable wire connectionMounting: Ceiling type 1(x1), Ceiling type 2(x2),
Wall type30° (b1), Wall type90° (b2),
Pendant pole type(g), Fence type(h),
Flange type(f),

配光曲线

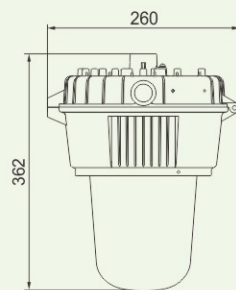
Luminous intensity
distribution

cd/1000lm

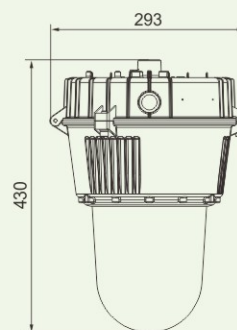
— c 0 / 180
— c 90 / 270

外形尺寸

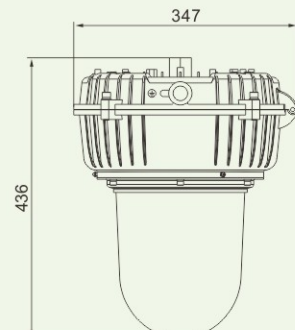
Outline dimension (mm)



I 型 Type I



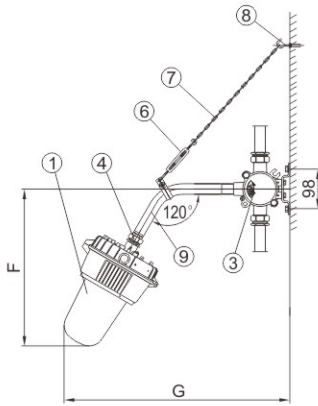
II 型 Type II



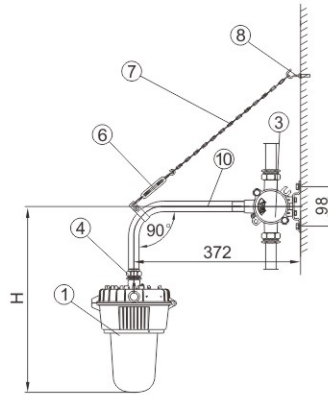
III 型 Type III

FAD-T 系列防水防尘防腐工矿灯(B型) FAD-T Series Weatherproof Industrial Light Fittings (Type B)

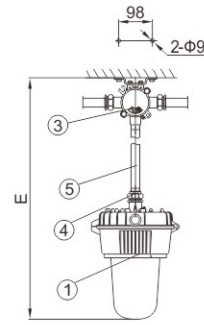
外形及安装举例 Outline and mounting type



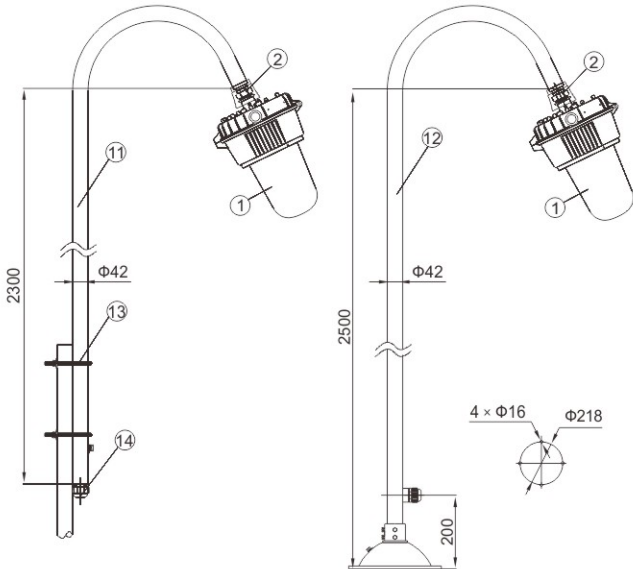
壁式30° (b1)
Wall type 30° (b1)



壁式90° (b2)
Wall type 90° (b2)

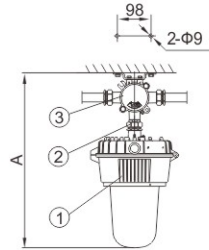


吊杆式(g)
Pendant pole type(g)

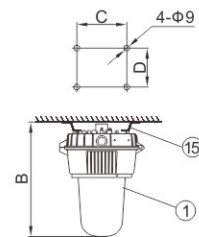


护栏式(h)
Fence type(h)

法兰式(f)
Flange type(f)



吸顶式1 (x1)
Ceiling type (x1)



吸顶式2 (x2)
Ceiling type (x2)

壳体类型 Enclosure type	A	B	C	D	E	F	G	H
I 型 Type I	482	367	251	65	752	297	696	562
II 型 Type II	577	435	279	65	847	-	-	-
III 型 Type III	587	441	233	232	857	-	-	-



序号	名称	备注
1	FAD-T防水防尘防腐工矿灯(B型)	
2	防腐活接头FHJ-G3/4"(外)/G3/4"(外)	
3	防水防尘防腐接线盒FHD-G3/4"K	
4	防腐活接头FHJ-G3/4"(内)/G3/4"(外)	用户自备
5	直杆G3/4"	300mm
6	CC型索具螺旋扣	
7	链条	450mm
8	膨胀螺钉	
9	30°弯杆G3/4"	300mm
10	90°弯杆G3/4"	400mm
11	护栏杆G1 3/4"	
12	法兰杆G1 3/4"	
13	U型管夹	用户自备
14	三防密封接头FQM-I-G3/4"	
15	安装架	

No.	Name	Remark
1	FAD-T Weatherproof industrial lamp(type B)	
2	Weatherproof flexible connector FHJ-G3/4"(male)/G3/4"(male)	
3	Weatherproof junction box FHD-G3/4"K	
4	Weatherproof flexible connector FHJ-G3/4"(female)/G3/4"(male)	Supplied by user
5	Straight pole G3/4"	300mm
6	CC type rigging spiral buckle	
7	Chain	450mm
8	Expansion screw	
9	30°bend pole G3/4"	300mm
10	90°bend pole G3/4"	400mm
11	Fence pole G1 1/4"	
12	Flange rod G1 1/4"	
13	U type pipe clamps	Supplied by user
14	Weatherproof cable gland FQM-I- G3/4"	
15	Mounting frame	