

FAT-L 系列防水防尘防腐泛光灯(A型)

FAT-L Series Weatherproof Floodlights (Type A)



Waterproof



Dustproof



Corrosionproof

GB

IEC

EN

GOST

型号规格含义 Nomenclature



产品特点 Product features

- ◆ 铝合金压铸壳体，表面高压静电喷塑；
- ◆ 反光罩为桔纹反射罩，使光线更柔和；
- ◆ ≤400W灯具与镇流器为一体式结构，1000W灯具与镇流器为分体式结构；
- ◆ 高功率因数， $\cos\phi \geq 0.90$ ；
- ◆ 防腐等级：WF1、WF2(可选)。
- ◆ Die-casting aluminum alloy enclosure, high-voltage electrostatic powder coated surface.
- ◆ Orange peel reflector, with soft light.
- ◆ Lamp of 400W and less, and ballast are of integrated structure, but 1000W lamp and ballast are of split structure.
- ◆ High power factor, $\cos\phi \geq 0.90$.
- ◆ Corrosion-proof: WF1, WF2 (Optional).

产品规格 Product specifications

型号规格 Model Specifications	灯具功率 Lamp power	灯座规格 Lampholder specification	壳体类型 Enclosure type	重量 Weight
FAT-L-□□A	N70W、N110(100)W L70W、L100W、L150W	E27	I	5.0kg
	N150W、N250W、N400W L250W、L400W	E40	II	11.4kg
	N1000W L1000W	E40	III	30kg(含镇流器) 30kg(Including ballast)



FAT-L 系列防水防尘防腐泛光灯(A型)

FAT-L Series Weatherproof Floodlights (Type A)

产品描述 Product description

执行标准：中国GB标准

额定电压：220V AC 50Hz, 60Hz(可选)

Executive standards: Chinese GB standards

Rated voltage: 220V AC 50Hz, 60Hz(Optional)

执行标准：国际IEC标准 / 欧盟EN标准

额定电压：220V~240V AC 50Hz, 60Hz(可选)

Executive standards: International IEC standards /
European EN standards

Rated voltage: 220V~240V AC 50Hz, 60Hz(Optional)

环境温度：-40℃~+55℃(-60℃~+60℃可选)

防护等级：IP65

引入装置：M20×1.5引入口规格，
适合Φ6.5mm~Φ10mm电缆

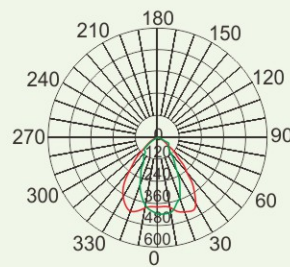
Ambient temperature: -40℃~+55℃(-60℃~+60℃ Optional)

Degree of protection: IP65

Cable gland: M20×1.5 Suitable for cable of Φ6.5mm~Φ10mm

配光曲线

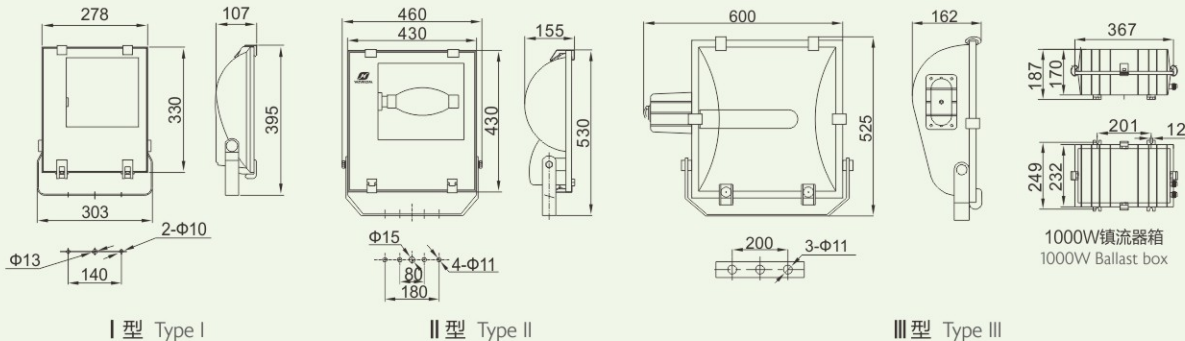
Luminous intensity
distribution



cd/1000lm
— c 0 / 180
— c 90 / 270

外形尺寸

Outline dimension (mm)



订货须知 Ordering Information

- ◆ 注明执行标准、工作电压、环境温度；
- ◆ 按照产品型号规格说明逐条选择，
例如：需 II 型壳体，金卤灯250W泛光灯，
则产品选型为FAT-L-L250 A；
- ◆ ≤400W灯具出厂时不配光源，由用户自配，建议配置飞利浦欧司朗、亚明品牌；金卤灯250W、400W需配置欧标光源；
- ◆ 1000W灯具出厂时光源、镇流器已配。
- ◆ Specify the executive standard, working voltage, environment temperature.
- ◆ Follow the product nomenclature for selection.
For example: type II enclosure floodlight, 250W metal halide lamp, the product type shall be FAT-L-L250A.
- ◆ The light source shall not be supplied for light fitting of 400W and less. Philips, Osram and Yaming Brands are recommended. European standard light source should be provided for 250W and 400W metal halide lamp.
- ◆ Light sources and ballasts are already provided for 1000W light fittings.