

## FXK 系列防水防尘防腐控制箱

### FXK Series Weatherproof Control Boxes



FXK-S

FXK-G

FXK-Q

FXK-L



Waterproof



Dustproof



Corrosionproof

GB

IEC

EN

GOST

### 型号规格含义 Nomenclature

FXK - □ - A□ B□ D□ K□

开关单元 Switch unit

指示灯单元 Indicator unit

电表单元 Meter unit

按钮单元 Button unit

外壳材质  
Enclosure  
material

S: 工程塑料 S: Engineering plastic

G: 不锈钢 G: Stainless steel

Q: 钢板焊接 Q: Welded steel plate

L: 铝合金 L: Aluminum Alloy

防水防尘防腐控制箱 Weatherproof control box



### 订货须知 Ordering Information

- ◆ 须提供完整的订货产品型号规格；
  - ◆ 必要时提供电气原理图；
  - ◆ 请说明进出线孔或电缆的数量及大小；
  - ◆ 有特殊要求请文字说明；
  - ◆ 电缆布线 (钢管布线请注明)。
- ◆ Provide the type and specification of products when ordering.
  - ◆ If necessary, the electrical schematic diagram should be provided.
  - ◆ Please indicate the quantity and size of inlet and outlet or cable.
  - ◆ Please specify if there're other special requirements.
  - ◆ Cable wiring (please specify if steel pipe wiring is required).

### FXK-S 产品描述 FXK-S Product description



执行标准: 中国GB标准  
额定电压: 220V/380V、230V/400V

Executive standards: Chinese GB standards  
Rated voltage: 220V/380V, 230V/400V

执行标准: 国际IEC标准 / 欧盟EN标准  
额定电压: 440V (Max. 1000V AC, Max. 1500V DC可选)

Executive standards: International IEC standards / European EN standards  
Rated voltage: 440V (Max.1000V AC, Max.1500V DC Optional)

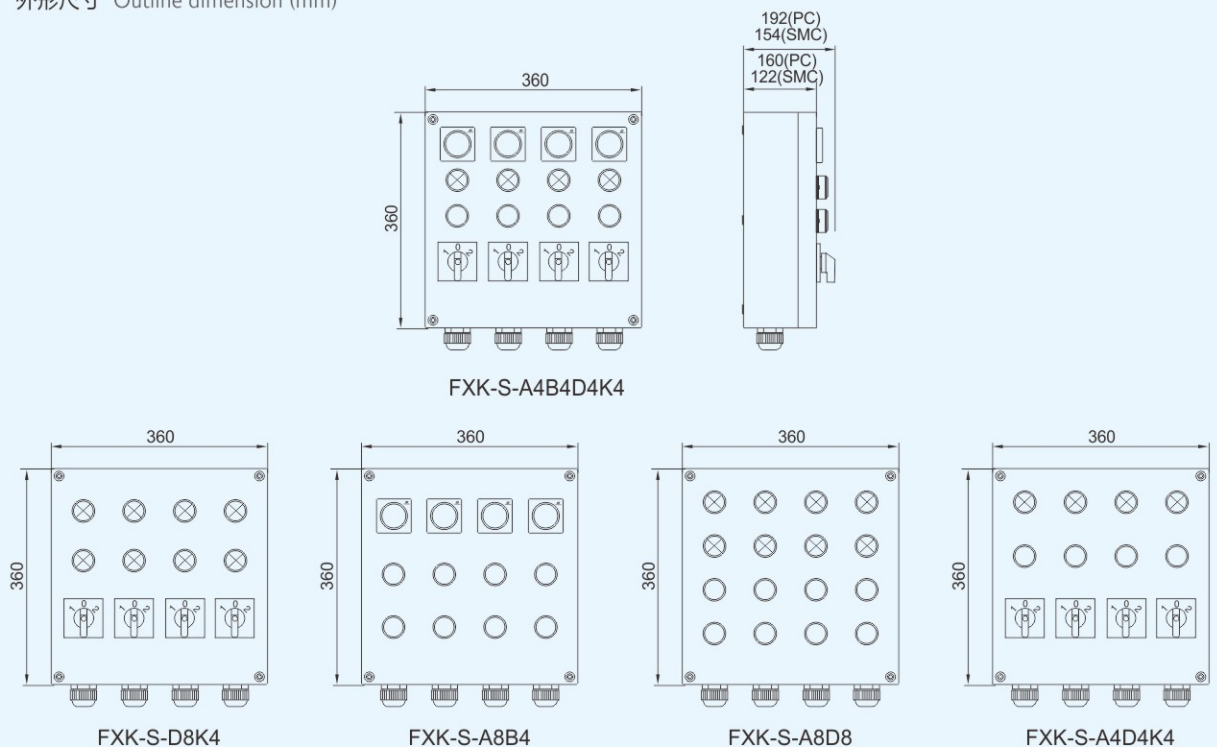
执行标准: 北美标准  
额定电压: 480V

Executive standards: American standards  
Rated voltage: 480V

环境温度: -40℃~+55℃ (-60℃~+60℃ 可选)  
额定电流: 3A(其它电流可选)  
防护等级: IP65/IP66(可选)  
防腐等级: WF2  
进出线口螺纹: M25×1.5引入口规格(如有特殊要求请注明)  
电缆外径: 适合φ9mm~φ16mm电缆  
壳体材质: SMC(PC可选)

Ambient temperature: -40℃+55℃ (-60℃+60℃ Optional)  
Rated current: 3A(Other current is optional)  
Degree of protection: IP65/IP66(Optional)  
Corrosion-proof: WF2  
Thread for inlet and outlet: M25×1.5 Cable entry Please specify the special requirements(if any)  
Cable outer diameter: Suitable for cable of Φ9mm-Φ16mm  
Enclosure material: SMC(PC Optiona)

外形尺寸 Outline dimension (mm)



### FXK-G 产品描述 FXK-G Product description



执行标准：中国GB标准  
额定电压：220V/380V、230V/400V

Executive standards: Chinese GB standards  
Rated voltage: 220V/380V, 230V/400V

执行标准：国际IEC标准 / 欧盟EN标准  
额定电压：440V (Max. 1000V AC, Max. 1500V DC可选)

Executive standards: International IEC standards / European EN standards  
Rated voltage: 440V (Max.1000V AC, Max.1500V DC Optional)

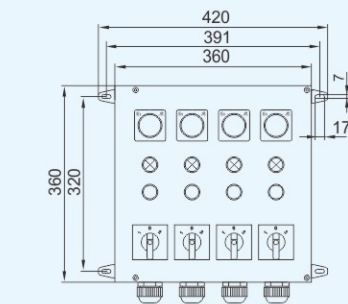
执行标准：北美标准  
额定电压：480V

Executive standards: American standards  
Rated voltage: 480V

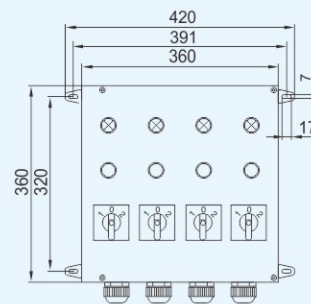
环境温度：-40℃~+55℃ (-60℃~+60℃可选)  
额定电流：3A(其它电流可选)  
防护等级：IP65/IP66(可选)  
防腐等级：WF2  
进出线口螺纹：M25×1.5引入口规格(如有特殊要求请注明)  
电缆外径：适合φ9mm~φ16mm电缆  
壳体材质：不锈钢

Ambient temperature: -40℃+55℃ (-60℃+60℃ Optional)  
Rated current: 3A(Other current is optional)  
Degree of protection: IP65/IP66(Optional)  
Corrosion-proof: WF2  
Thread for inlet and outlet: M25×1.5 Cable entry Please specify the special requirements(if any)  
Cable outer diameter: Suitable for cable of Φ9mm-Φ16mm  
Enclosure material: Stainless steel

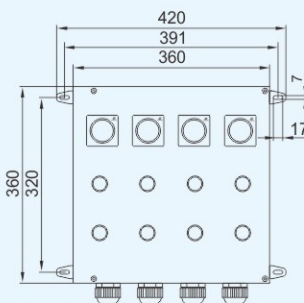
外形尺寸 Outline dimension (mm)



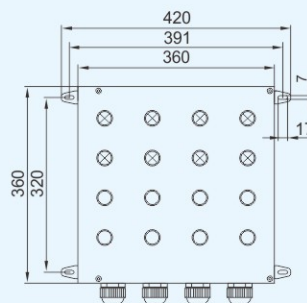
FXK-G-A4B4D4K4



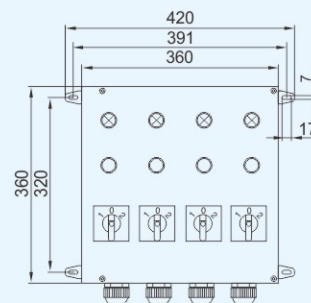
FXK-G-D8K4



FXK-G-A8B4



FXK-G-A8D8



FXK-G-A4D4K4



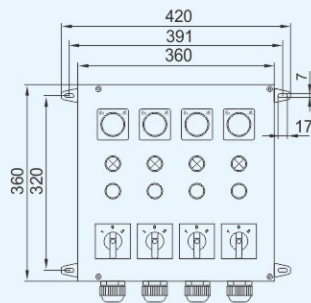
### FXK-Q 产品描述 FXK-Q Product description



执行标准: 中国GB标准 额定电压: 220V/380V、230V/400V	Executive standards: Chinese GB standards Rated voltage: 220V/380V, 230V/400V
执行标准: 国际IEC标准 / 欧盟EN标准 额定电压: 440V (Max. 1000V AC, Max. 1500V DC可选)	Executive standards: International IEC standards / European EN standards Rated voltage: 440V (Max.1000V AC, Max.1500V DC Optional)
执行标准: 北美标准 额定电压: 480V	Executive standards: American standards Rated voltage: 480V
环境温度: -40℃~+55℃ (-60℃~+60℃可选) 额定电流: 3A(其它电流可选) 防护等级: IP65/IP66(可选) 防腐等级: WF2 进出线口螺纹: M25×1.5引入口规格(如有特殊要求请注明) 电缆外径: 适合φ9mm~φ16mm电缆 壳体材质: 钢板焊接	Ambient temperature: -40℃+55℃ (-60℃+60℃ Optional) Rated current: 3A(Other current is optional) Degree of protection: IP65/IP66(Optional) Corrosion-proof: WF2 Thread for inlet and outlet: M25×1.5 Cable entry Please specify the special requirements(if any) Cable outer diameter: Suitable for cable of Φ9mm-Φ16mm Enclosure material: Welded steel plate



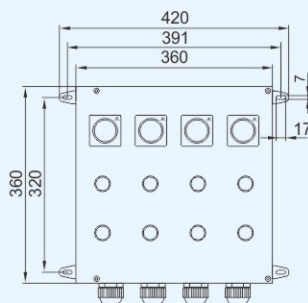
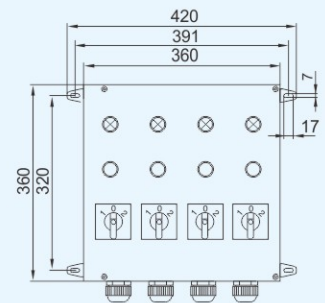
#### 外形尺寸 Outline dimension (mm)



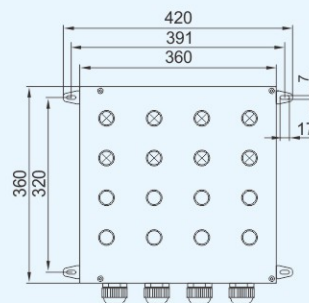
FXK-Q-A4B4D4K4



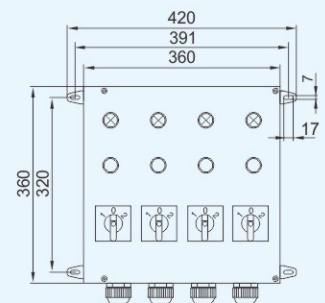
FXK-Q-D8K4



FXK-Q-A8B4



FXK-Q-A8D8



FXK-Q-A4D4K4

### FXK-L 产品描述 FXK-L Product description



执行标准：中国GB标准  
额定电压：220V/380V、230V/400V

Executive standards: Chinese GB standards  
Rated voltage: 220V/380V, 230V/400V

执行标准：国际IEC标准 / 欧盟EN标准  
额定电压：440V (Max. 1000V AC, Max. 1500V DC可选)

Executive standards: International IEC standards /  
European EN standards  
Rated voltage: 440V (Max.1000V AC, Max.1500V DC Optional)

执行标准：北美标准  
额定电压：480V

Executive standards: American standards  
Rated voltage: 480V

环境温度：-40℃~+55℃ (-60℃~+60℃可选)  
额定电流：3A(其它电流可选)  
防护等级：IP65/IP66(可选)  
防腐等级：WF2  
进出线口螺纹：M25×1.5引入口规格(如有特殊要求请注明)  
电缆外径：适合 $\phi$  9mm~ $\phi$  16mm电缆  
壳体材质：铝合金

Ambient temperature: -40℃~+55℃ (-60℃~+60℃ Optional)  
Rated current: 3A(Other current is optional)  
Degree of protection: IP65/IP66(Optional)  
Corrosion-proof: WF2  
Thread for inlet and outlet: M25×1.5 Cable entry Please  
specify the special requirements(if any)  
Cable outer diameter: Suitable for cable of  $\Phi$  9mm- $\Phi$  16mm  
Enclosure material: Aluminum alloy

外形尺寸 Outline dimension (mm)

