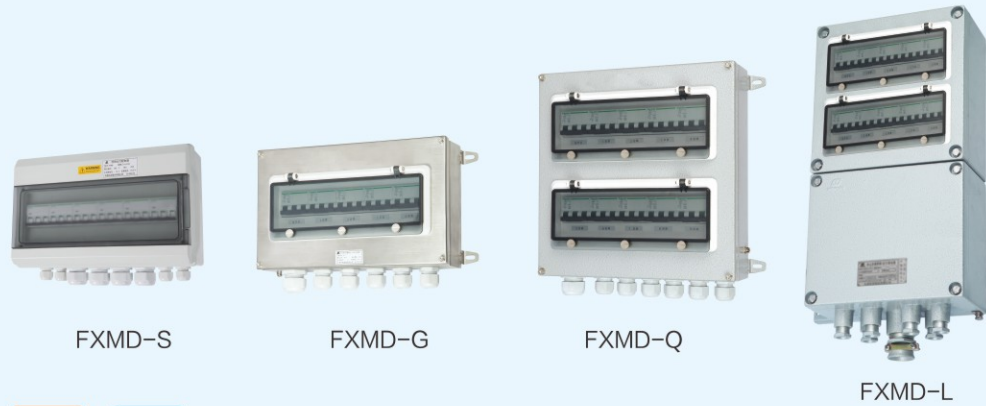
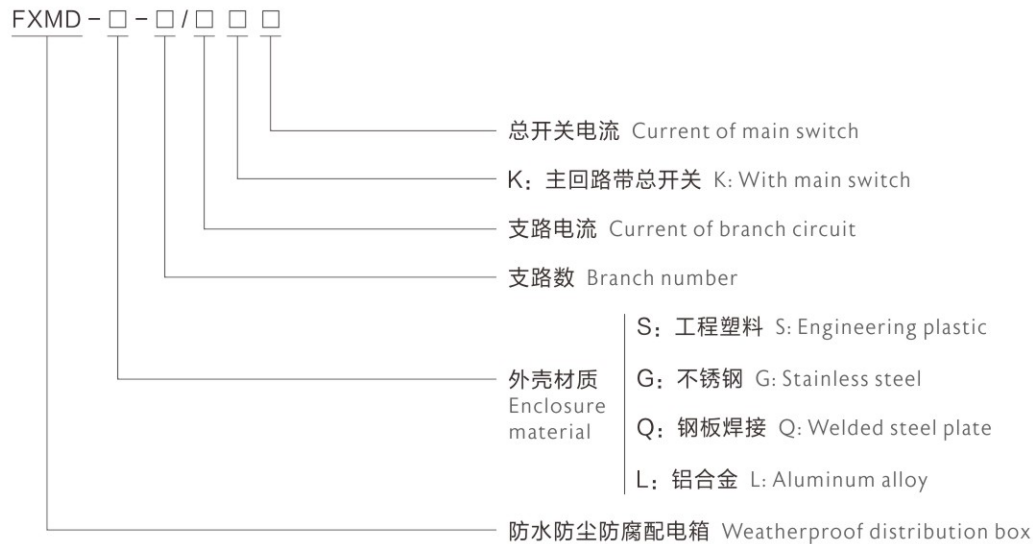


## FXMD 系列防水防尘防腐照明动力配电箱(GB标准) FXMD Series Weatherproof Illumination (Power) Distribution Boxes (GB Standards)



GB

### 型号规格含义 Nomenclature



### 订货须知 Ordering Information

- ◆ 用户订货时，须注明配电箱的回路数，各回路相应的电流数，以及断路器的极数和进出线的数量、方向、大小；
- ◆ 照明回路支路开关常规配置为1P，若支路开关需要2P请注明；动力回路常规配置为3P，总开关为3P；
- ◆ 必要时提供电气系统图；
- ◆ 电缆布线 (钢管布线请注明)。
- ◆ When ordering, please specify the number of circuits, corresponding current of each circuits, and the pole number of the circuit breaker and the number, direction and size of inlet and outlet.
- ◆ Branch switch of lighting circuit is of 1P. Please specify if 2P is needed for the branch switch. 3P is available for power circuit in general, main switch is of 3P.
- ◆ If necessary, electrical system diagram shall be provided.
- ◆ Cable wiring (please specify if steel pipe wiring is required).



## FXMD 系列防水防尘防腐照明动力配电箱(GB标准)

### FXMD Series Weatherproof Illumination (Power) Distribution Boxes (GB Standards)

#### 产品特点 Product features

- ◆ FXMD-S外壳采用工程塑料(PC/SMC)模压成型，外形美观。具有抗老化、不变形、抗冲击、耐腐蚀等优点；
- ◆ FXMD-G外壳采用不锈钢板折弯焊接成型，表面拉丝处理，美观大方，防腐性能好；
- ◆ FXMD-Q外壳采用优质碳素钢板折弯焊接成型，表面高压静电喷塑，防腐性能好；
- ◆ FXMD-L外壳采用铸铝合金压铸成形，表面高压静电喷塑，防腐性能好；
- ◆ 主要用于配电或电路通断，并具过载、短路保护等功能；
- ◆ 所有外露紧固件均采用不锈钢，密封件采用硅橡胶，耐油、耐酸、耐碱、耐高温、抗老化；
- ◆ 电缆布线，引入装置为复合密封型(钢管布线请注明)；
- ◆ 接合面采用曲路密封结构，具有较强的防水防尘性能；
- ◆ 进线口方向变化多，可根据用户要求任意选配进线口；
- ◆ 接线端子采用国际知名品牌端子，接线方便，牢固可靠，且电流大小有多种规格可供用户选择；
- ◆ 本产品常规配置为复合密封型(FQM-I型 M螺纹)；
- ◆ 防腐等级：WF2。
- ◆ The FXMD-S enclosure is molded from engineering plastic (PC/SMC), delivering an sleek appearance. It boasts advantages such as anti-aging, non-deformation, impact resistance, and corrosion resistance.
- ◆ The FXMD-G enclosure is formed by stainless steel plates through bending and welding, with a brushed finish that ensures both a sleek appearance and excellent corrosion resistance.
- ◆ The FXMD-Q enclosure is shaped by high-quality carbon steel plates through bending and welding, finished with a powder coating through high-pressure electrostatic to offer superior corrosion resistance.
- ◆ The FXMD-L enclosure is shaped by die-casting aluminum alloy, finished with a powder coating through high-pressure electrostatic to offer superior corrosion resistance.
- ◆ It is primarily used for power distribution or circuit switching, with functions including overload and short-circuit protection.
- ◆ All external fastening components are constructed from stainless steel, while sealing components are made of silicone rubber, offering resistance to oil, acids, alkalis, high temperatures, and aging.
- ◆ For cable wiring, equipped with a composite sealing type cable gland (for steel conduit wiring, please specify).
- ◆ The joint surface adopts a labyrinth path sealing structure, providing excellent weather-proof performance.
- ◆ Multiple entries of different orientations are available, allowing users to freely choose according to their requirements.
- ◆ The terminal blocks use internationally renowned brand terminals, offering convenient and secure wiring, with various current ratings to choose from.
- ◆ The standard configuration is a composite sealing type (FQM-I type with M threads).
- ◆ Corrosion-proof: WF2.

#### 产品规格 Product specifications

产品型号 Product model	FXMD-S	FXMD-G	FXMD-Q	FXMD-L
产品外形 Product images				
壳体材质 Enclosure material	SMC (PC 可选) SMC (PC Optiona)	不锈钢 Stainless steel	钢板焊接 Welded Steel Plate	铝合金 Aluminum Alloy

## FXMD 系列防水防尘防腐照明动力配电箱(GB标准)

FXMD Series Weatherproof Illumination (Power) Distribution Boxes (GB Standards)

### FXMD-S 产品描述 FXMD-S Product description



执行标准: 中国GB标准

额定电压: 380V/400V/690V

环境温度: -40°C~+55°C(-60°C~+60°C可选)

主回路额定电流: Max. 630A

支路额定电流: 1A、2A、4A、6A、10A、16A、20A、25A、  
32A、40A、50A、63A、80A、100A

防护等级: IP65/IP66(可选)

防腐等级: WF2

内装元件: 施耐德、ABB等品牌

壳体材质: SMC(PC可选)

Executive standards: Chinese GB standards

Rated voltage: 380V/400V/690V

Ambient temperature: -40°C~+55°C(-60°C~+60°C Optional)

Rated current of main circuit: Max. 630A

Branch rated current: 1A, 2A, 4A, 6A, 10A, 16A, 20A, 25A,  
32A, 40A, 50A, 63A, 80A, 100A

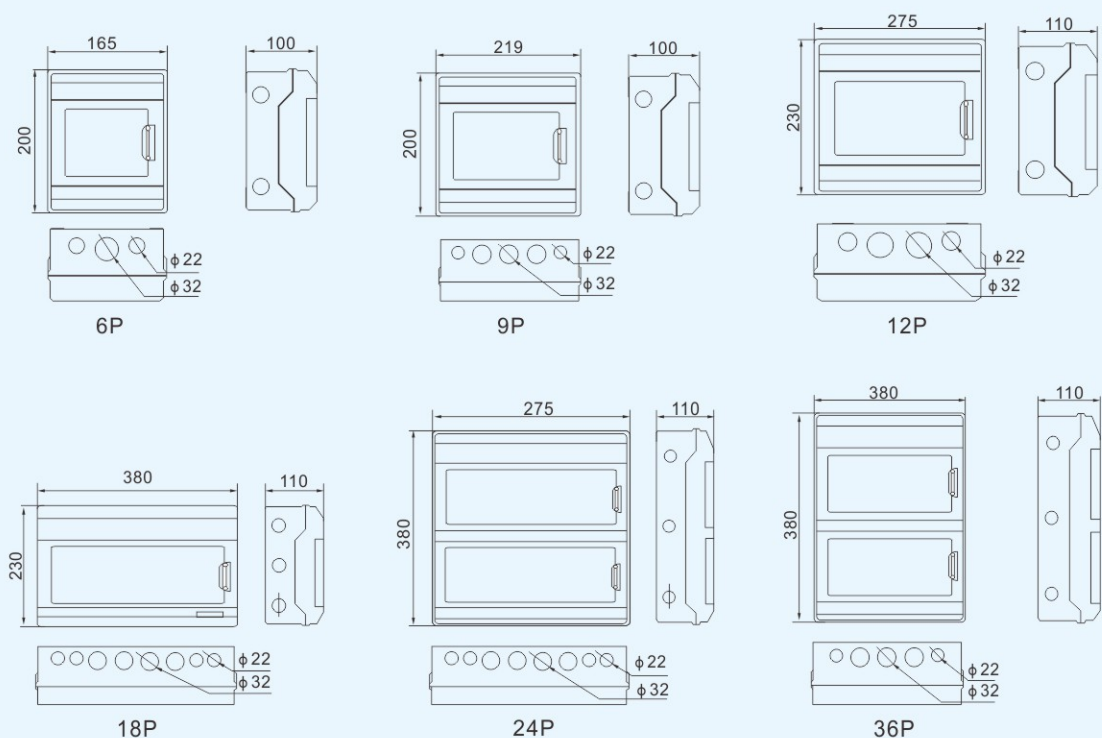
Degree of protection: IP65/IP66(Optional)

Corrosion-proof: WF2

Built-in components: Schneider and ABB brands, etc.

Enclosure material: SMC (PC Optiona)

外形尺寸 Outline dimension (mm)



## FXMD 系列防水防尘防腐照明动力配电箱(GB标准)

FXMD Series Weatherproof Illumination (Power) Distribution Boxes (GB Standards)

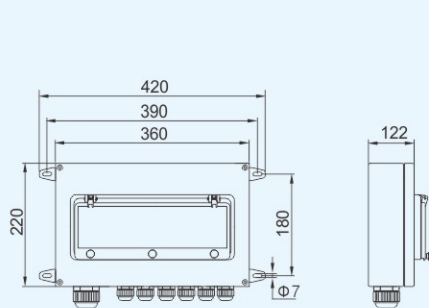
### FXMD-G 产品描述 FXMD-G Product description



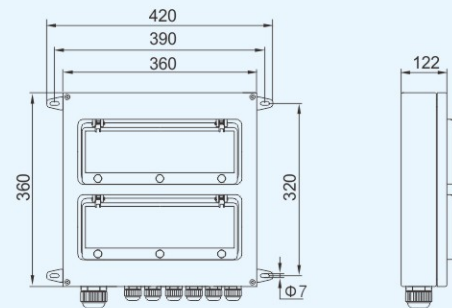
执行标准：中国GB标准  
 额定电压：380V/400V/690V  
 环境温度：-40℃~+55℃(-60℃~+60℃可选)  
 主回路额定电流：Max. 630A  
 支路额定电流：1A、2A、4A、6A、10A、16A、20A、25A、  
 32A、40A、50A、63A、80A、100A  
 防护等级：IP65/IP66(可选)  
 防腐等级：WF2  
 内装元件：施耐德、ABB等品牌  
 壳体材质：不锈钢

Executive standards: Chinese GB standards  
 Rated voltage: 380V/400V/690V  
 Ambient temperature: -40℃~+55℃(-60℃~+60℃ Optional)  
 Rated current of main circuit: Max. 630A  
 Branch rated current: 1A, 2A, 4A, 6A, 10A, 16A, 20A, 25A,  
 32A, 40A, 50A, 63A, 80A, 100A  
 Degree of protection: IP65/IP66(Optional)  
 Corrosion-proof: WF2  
 Built-in components: Schneider and ABB brands, etc.  
 Enclosure material: Stainless steel

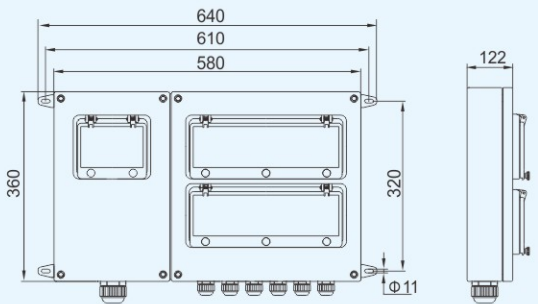
### 外形尺寸 Outline dimension (mm)



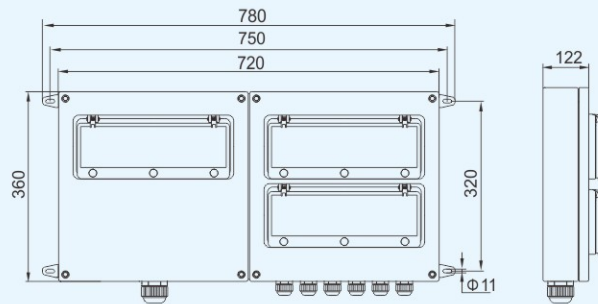
FXMD-G-4/6/4K/6K



FXMD-G-8/8K/10/10K/12/12K



FXMD-G-10K/12



FXMD-G-12K



## FXMD 系列防水防尘防腐照明动力配电箱(GB标准)

FXMD Series Weatherproof Illumination (Power) Distribution Boxes (GB Standards)

## FXMD-Q 产品描述 FXMD-Q Product description



执行标准：中国GB标准

额定电压：380V/400V/690V

环境温度：-40℃~+55℃(-60℃~+60℃可选)

主回路额定电流：Max. 630A

支路额定电流：1A、2A、4A、6A、10A、16A、20A、25A、  
32A、40A、50A、63A、80A、100A

防护等级：IP65/IP66(可选)

防腐等级：WF2

内装元件：施耐德、ABB等品牌

壳体材质：钢板焊接

Executive standards: Chinese GB standards

Rated voltage: 380V/400V/690V

Ambient temperature: -40℃+55℃(-60℃+60℃ Optional)

Rated current of main circuit: Max. 630A

Branch rated current: 1A, 2A, 4A, 6A, 10A, 16A, 20A, 25A,  
32A, 40A, 50A, 63A, 80A, 100A

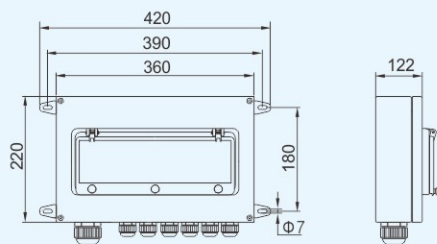
Degree of protection: IP65/IP66(Optional)

Corrosion-proof: WF2

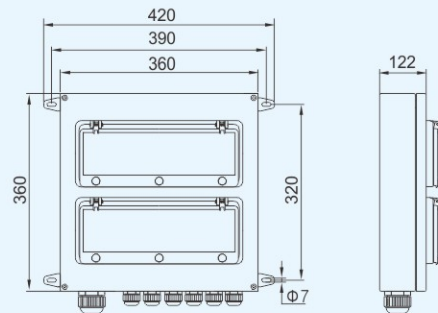
Built-in components: Schneider and ABB brands, etc.

Enclosure material: Welded steel plate

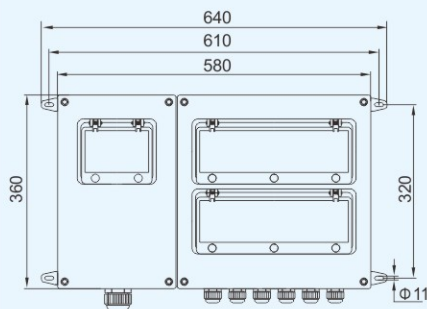
## 外形尺寸 Outline dimension (mm)



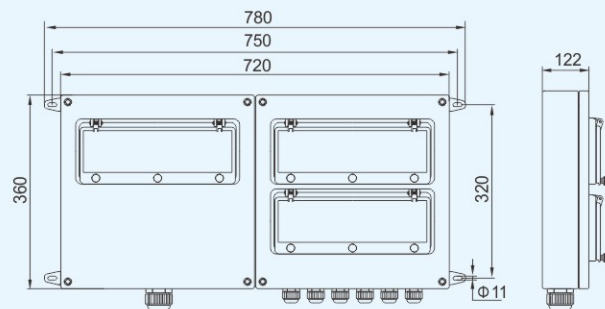
FXMD-Q-4/6/4K/6K



FXMD-Q-8/8K/10/10K/12/12K



FXMD-Q-10K/12



FXMD-Q-12K

## FXMD 系列防水防尘防腐照明动力配电箱(GB标准)

FXMD Series Weatherproof Illumination (Power) Distribution Boxes (GB Standards)

### FXMD-L 产品描述 FXMD-L Product description



执行标准：中国GB标准

额定电压：380V/400V/690V

环境温度：-40℃~+55℃(-60℃~+60℃可选)

主回路额定电流：Max. 630A

支路额定电流：1A、2A、4A、6A、10A、16A、20A、25A、  
32A、40A、50A、63A、80A、100A

防护等级：IP65/IP66(可选)

防腐等级：WF2

内装元件：施耐德、ABB等品牌

壳体材质：铝合金

Executive standards: Chinese GB standards

Rated voltage: 380V/400V/690V

Ambient temperature: -40℃~+55℃(-60℃~+60℃ Optional)

Rated current of main circuit: Max. 630A

Branch rated current: 1A, 2A, 4A, 6A, 10A, 16A, 20A, 25A,  
32A, 40A, 50A, 63A, 80A, 100A

Degree of protection: IP65/IP66(Optional)

Corrosion-proof: WF2

Built-in components: Schneider and ABB brands, etc.

Enclosure material: Aluminum alloy

外形尺寸 Outline dimension (mm)

