



Waterproof



Dustproof

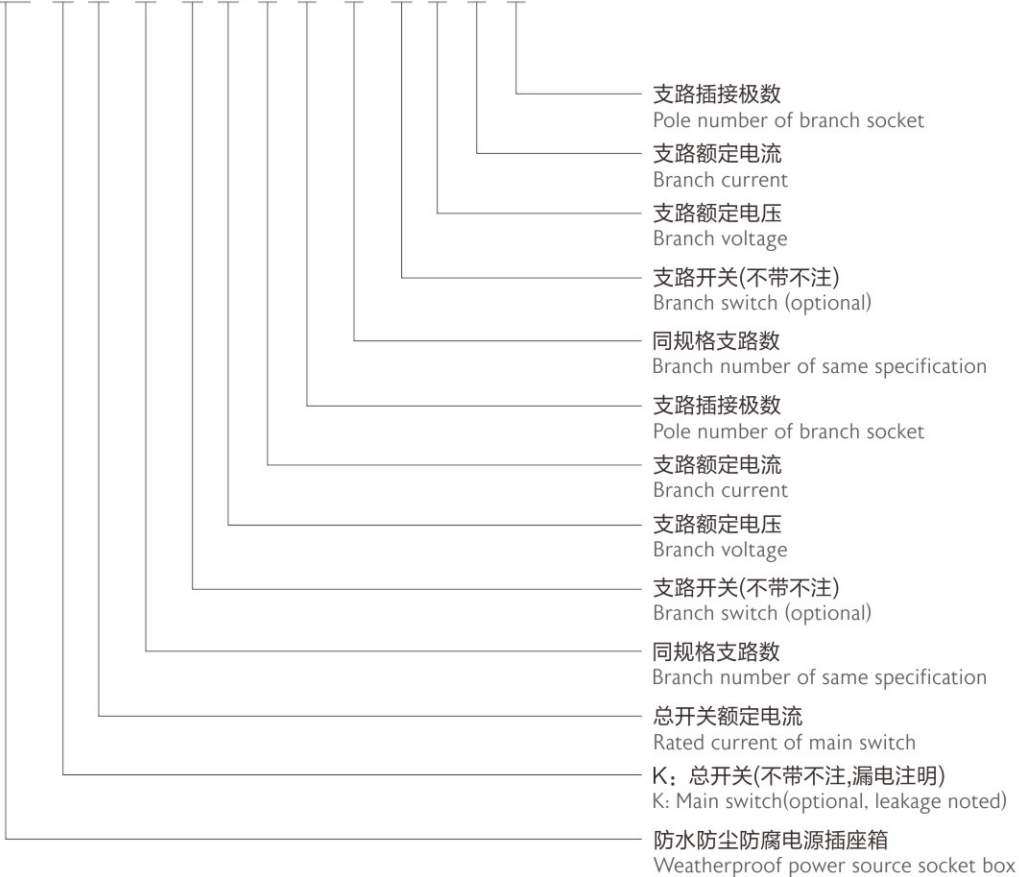


Corrosionproof

GB

型号规格含义 Nomenclature

FXX - K / □ - □ × K / □ / □ / □ - □ × K / □ / □ / □



FXX 系列防水防尘防腐电源插座箱

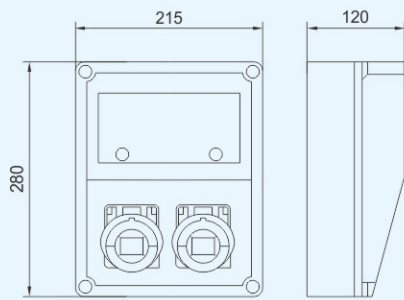
FXX Series Weatherproof Power Source Socket Boxes

产品描述 Product description

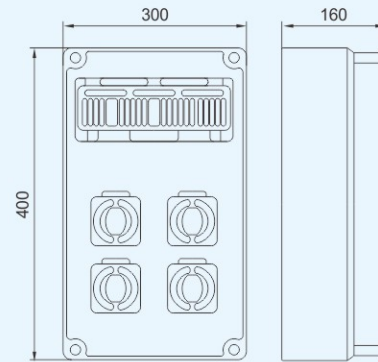
执行标准：中国GB标准
 额定电压：AC110V, 230V, 400V
 环境温度：-40℃~+55℃
 额定电流：16A, 32A, 63A, 125A
 防护等级：IP66
 防腐等级：WF2
 回路数：2, 4, 6
 插接芯数：3, 4, 5
 壳体材质：工程塑料

Executive standards: Chinese GB standards
 Rated voltage: AC110V, 230V, 400V
 Ambient temperature: -40℃~+55℃
 Rated current: 16A, 32A, 63A, 125A
 Degree of protection: IP66
 Corrosion-proof: WF2
 Number of circuits: 2, 4, 6
 Number of cores for plugs: 3, 4, 5
 Enclosure material: Engineering plastics

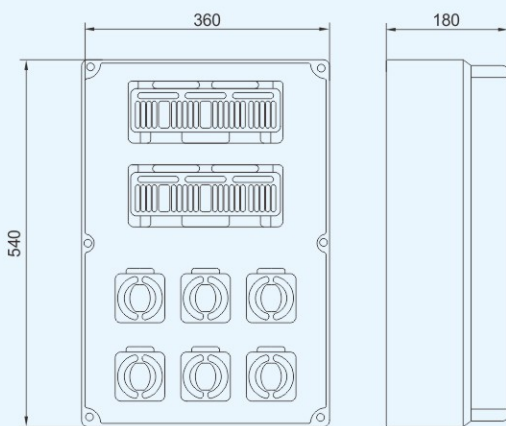
外形尺寸 Outline dimension (mm)



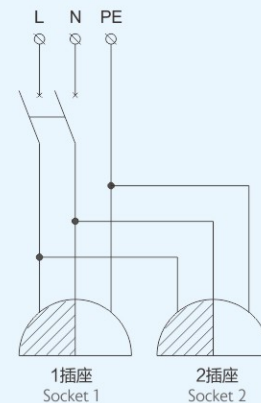
二回路 2 Circuits



四回路 4 Circuits



六回路 6 Circuits



断路器 Circuit breaker

