



FZC-S



FZC-G



FZC-Q



FZC-L



Waterproof



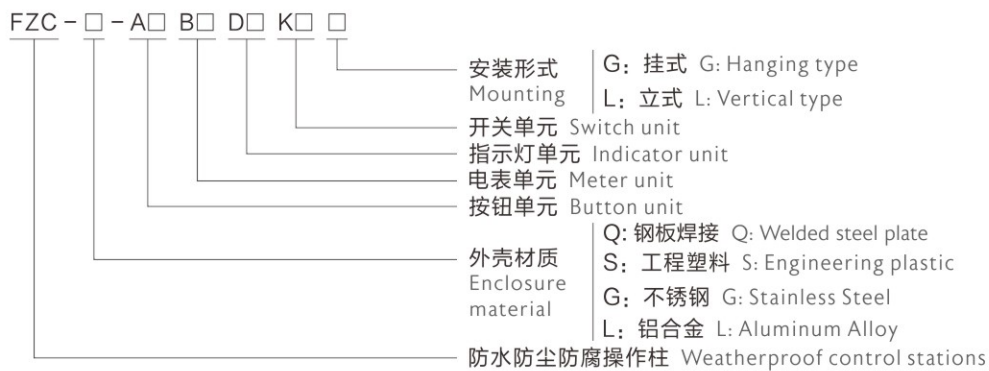
Dustproof



Corrosionproof

GB IEC EN GOST

型号规格含义 Nomenclature

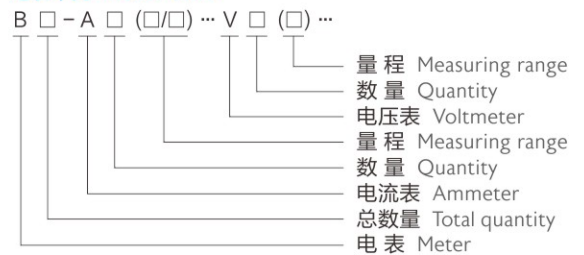


按钮、电表、指示灯、开关代号按样本的P143页~P148页选用，有特殊要求请注明。
Button, meter, indicator, and switch code can be selected in P143-P148, any special requirements please be specified.

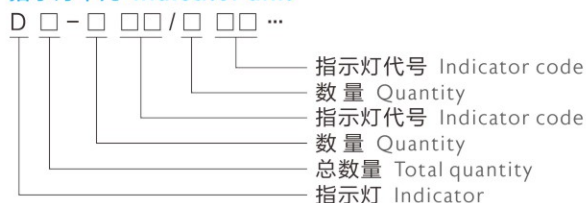
按钮单元 Button unit



电表单元 Meter unit



指示灯单元 Indicator unit



开关单元 Switch unit



FZC-S 产品描述 FZC-S Product description



执行标准：中国GB标准
额定电压：220V/380V、230V/400V

Executive standards: Chinese GB standards
Rated voltage: 220V/380V, 230V/400V

执行标准：国际IEC标准 / 欧盟EN标准
额定电压：440V (Max. 1000V AC, Max. 1500V DC可选)

Executive standards: International IEC standards /
European EN standards
Rated voltage: 440V (Max.1000V AC, Max.1500V DC Optional)

执行标准：北美标准
额定电压：480V

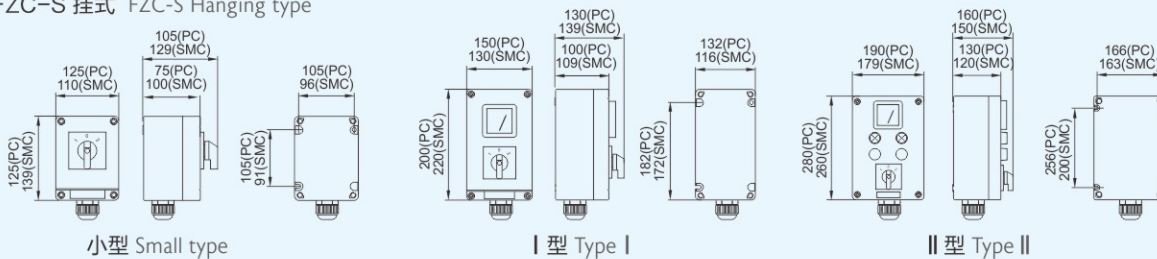
Executive standards: American standards
Rated voltage: 480V

环境温度：-40℃~+55℃ (-60℃~+60℃可选)
额定电流：3A(其它电流可选)
防护等级：IP65/IP66(可选)
防腐等级：WF2
使用类别：AC-15、DC-13
进出线口螺纹：M25×1.5(入口规格(如有特殊要求请注明))
电缆外径：适合Φ9mm~Φ16mm电缆
安装方式：挂式、立式
壳体材质：SMC(PC可选)

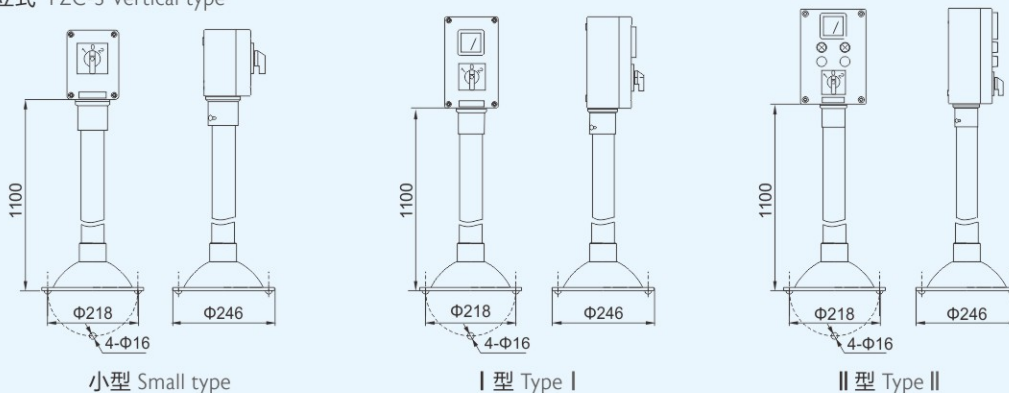
Ambient temperature: -40℃~+55℃ (-60℃~+60℃ Optional)
Rated current: 3A(Other current is optional)
Degree of protection: IP65/IP66(Optional)
Corrosion-proof: WF2
Usage type: AC-15, DC-13
Thread for inlet and outlet: M25×1.5 Cable entry Please
specify the special requirements(if any)
Cable outer diameter: Suitable for cable of Φ9mm-Φ16mm
Mounting type: Hanging type, vertical type
Enclosure material: SMC(PC Optional)

外形尺寸 Outline dimension (mm)

FZC-S 挂式 FZC-S Hanging type



FZC-S 立式 FZC-S Vertical type



FZC-G 产品描述 FZC-G Product description

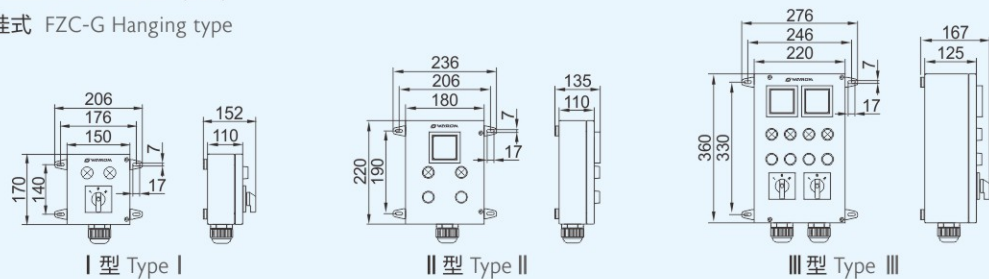


执行标准: 中国GB标准 额定电压: 220V/380V、230V/400V	Executive standards: Chinese GB standards Rated voltage: 220V/380V, 230V/400V
执行标准: 国际IEC标准 / 欧盟EN标准 额定电压: 440V (Max. 1000V AC, Max. 1500V DC可选)	Executive standards: International IEC standards / European EN standards Rated voltage: 440V (Max.1000V AC, Max.1500V DC Optional)
执行标准: 北美标准 额定电压: 480V	Executive standards: American standards Rated voltage: 480V
环境温度: -40°C~+55°C (-60°C~+60°C可选) 额定电流: 3A(其它电流可选) 防护等级: IP65/IP66(可选) 防腐等级: WF2 使用类别: AC-15、DC-13 进出线口螺纹: M25×1.5引入规格(如有特殊要求请注明) 电缆外径: 适合φ9mm~φ16mm电缆 安装方式: 挂式、立式 壳体材质: 不锈钢	Ambient temperature: -40°C~+55°C (-60°C~+60°C Optional) Rated current: 3A(Other current is optional) Degree of protection: IP65/IP66(Optional) Corrosion-proof: WF2 Usage type: AC-15, DC-13 Thread for inlet and outlet: M25x1.5 Cable entry Please specify the special requirements(if any) Cable outer diameter: Suitable for cable of Φ9mm-Φ16mm Mounting type: Hanging type, vertical type Enclosure material: Stainless steel

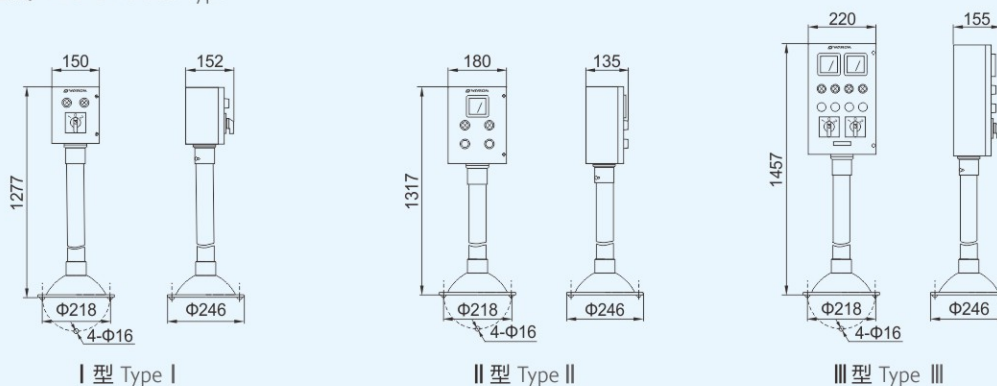


外形尺寸 Outline dimension (mm)

FZC-G 挂式 FZC-G Hanging type



FZC-G 立式 FZC-G Vertical type



FZC-Q 产品描述 FZC-Q Product description



执行标准：中国GB标准
额定电压：220V/380V、230V/400V

Executive standards: Chinese GB standards
Rated voltage: 220V/380V, 230V/400V

执行标准：国际IEC标准 / 欧盟EN标准
额定电压：440V (Max. 1000V AC, Max. 1500V DC可选)

Executive standards: International IEC standards / European EN standards
Rated voltage: 440V (Max.1000V AC, Max.1500V DC Optional)

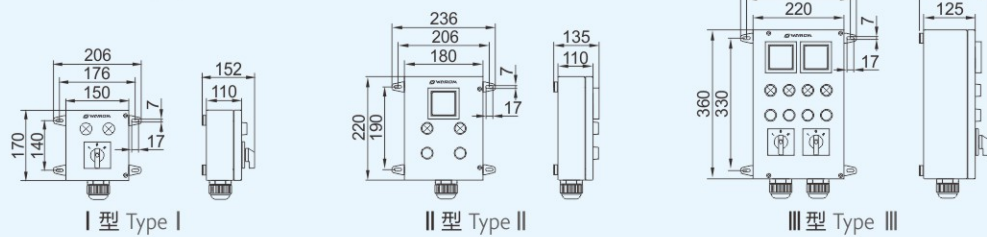
执行标准：北美标准
额定电压：480V

Executive standards: American standards
Rated voltage: 480V

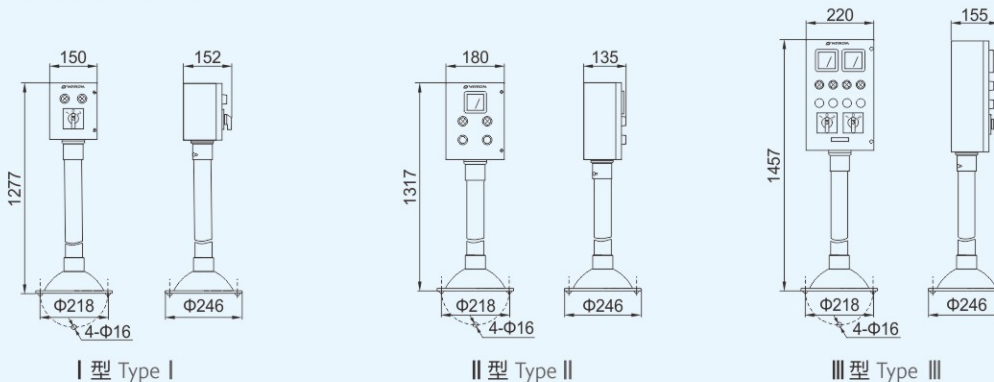
环境温度：-40℃~+55℃ (-60℃~+60℃可选)
额定电流：3A(其它电流可选)
防护等级：IP65/IP66(可选)
防腐等级：WF2
使用类别：AC-15、DC-13
进出线口螺纹：M25×1.5引入口规格(如有特殊要求请注明)
电缆外径：适合Φ9mm~Φ16mm电缆
安装方式：挂式、立式
壳体材质：钢板焊接

Ambient temperature: -40℃+55℃ (-60℃+60℃ Optional)
Rated current: 3A(Other current is optional)
Degree of protection: IP65/IP66(Optional)
Corrosion-proof: WF2
Usage type: AC-15, DC-13
Thread for inlet and outlet: M25×1.5 Cable entry Please specify the special requirements(if any)
Cable outer diameter: Suitable for cable of Φ9mm-Φ16mm
Mounting type: Hanging type, vertical type
Enclosure material: Welded steel plate

外形尺寸 Outline dimension (mm)
FZC-Q 挂式 FZC-Q Hanging type



FZC-Q 立式 FZC-Q Vertical type



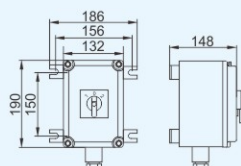
FZC-L 产品描述 FZC-L Product description



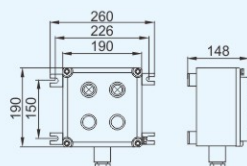
执行标准: 中国GB标准 额定电压: 220V/380V、230V/400V	Executive standards: Chinese GB standards Rated voltage: 220V/380V, 230V/400V
执行标准: 国际IEC标准 / 欧盟EN标准 额定电压: 440V (Max. 1000V AC, Max. 1500V DC可选)	Executive standards: International IEC standards / European EN standards Rated voltage: 440V (Max.1000V AC, Max.1500V DC Optional)
执行标准: 北美标准 额定电压: 480V	Executive standards: American standards Rated voltage: 480V
环境温度: -40℃~+55℃ (-60℃~+60℃可选) 额定电流: 3A(其它电流可选) 防护等级: IP65/IP66(可选) 防腐等级: WF2 使用类别: AC-15、DC-13 进出线口螺纹: M25×1.5引入规格(如有特殊要求请注明) 电缆外径: 适合φ9mm~φ16mm电缆 安装方式: 挂式、立式 壳体材质: 铝合金	Ambient temperature: -40℃+55℃ (-60℃+60℃ Optional) Rated current: 3A(Other current is optional) Degree of protection: IP65/IP66(Optional) Corrosion-proof: WF2 Usage type: AC-15, DC-13 Thread for inlet and outlet: M25x1.5 Cable entry Please specify the special requirements(if any) Cable outer diameter: Suitable for cable of Φ9mm-Φ16mm Mounting type: Hanging type, vertical type Enclosure material: Aluminum alloy

外形尺寸 Outline dimension (mm)

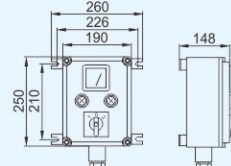
FZC-L 挂式 FZC-L Hanging type



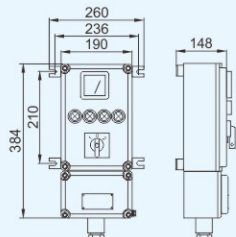
I 型 Type I



II 型 Type II

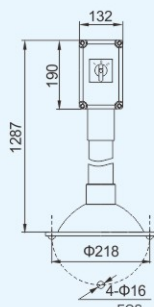


III 型 Type III

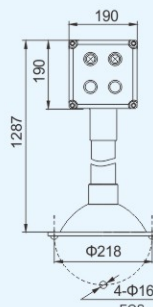


IV 型 Type IV

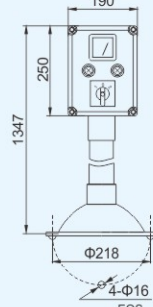
FZC-L 立式 FZC-L Vertical type



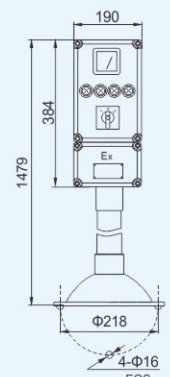
I 型 Type I



II 型 Type II



III 型 Type III



IV 型 Type IV

