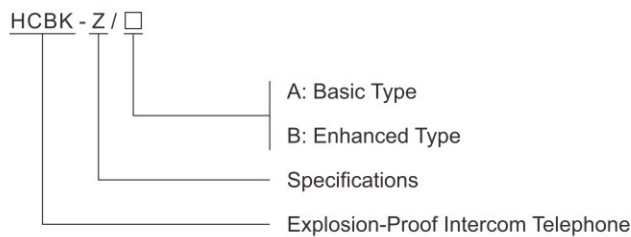


SCS-KD Smart Integrated Communication Control System HCBK-Z/□ Explosion-proof Intercom Telephone



- ◆ Explosion protection to
 - CENELEC
 - IEC
- ◆ Can be used in
 - Zone 1 and Zone 2
 - Zone 21 and Zone 22

■ Catalogue number logic



■ Product features

- ◆ The telephone station features a high-strength anti-static handle, and the hanging mechanism uses a magnetic induction type non-contact switch, offering excellent waterproof, dustproof, and corrosion-resistant performance.
- ◆ The system adopts network connectivity to enable remote calling, and adding or removing stations does not affect system call.
- ◆ Unlimited by channel count, the system supports multi-party communication; automatic or manual fire alarm functions can be added as required.
- ◆ The system includes automatic gain control, ensuring consistent voice volume regardless of distance or number of handsets, and supports daisy-chain connection.
- ◆ The handset incorporates a noise-canceling microphone, enabling clear communication even in high-noise environments.
- ◆ The telephone units offer flexible networking—users can freely group them as needed. With numeric keypad dialing, users can call any terminal to achieve full-duplex intercom or PTT half-duplex intercom, broadcast to the entire area, and receive broadcasts.
- ◆ It uses the standard open SIP signaling protocol, enabling seamless integration with comprehensive command and dispatch systems based on softswitch platforms.

Zones 1&2; 21&22

SCS-KD Smart Integrated Communication Control System

HCBK-Z/□ Explosion-proof Intercom Telephone

Technical data

Explosion-Proof Intercom Telephone HCBK-Z/□

Explosion protection

Global (IECEX)	IECEX (applied for)
Gas and dust	Ex db ib IIC T6 Gb Ex tb IIIC T80°C Db
Europe (ATEX)	ATEX (applied for)
Gas and dust	⊕ II 2 G Ex db IIC T6 Gb ⊕ II 2 D Ex tb IIIC T80°C Db

Certificates

IECEX; ATEX

Conformity to standards

IEC 60079-0, IEC 60079-1, IEC 60079-31, EN 60079-0, EN 60079-1, EN 60079-31

Rated voltage

AC110V, AC220V+15%, 50Hz or 60Hz

Material

Aluminium alloy

Operating current

≤300mA

Standby current

10mA

Network communication protocol

TCP, UDP, ARP, ICMP, IGMP, SIP

Single amplifier output power

0~50W continuously adjustable

Protection rating

IP66

Corrosion protection rating

WF2

Mounting method

Wall-mounted

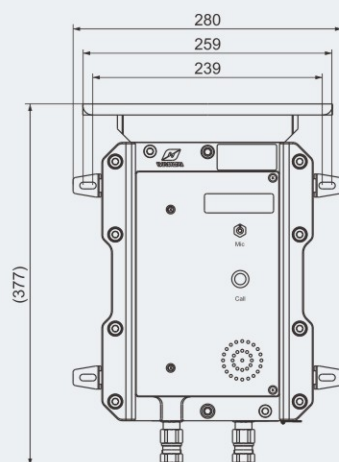
Temperature range

-45°C~+60°C

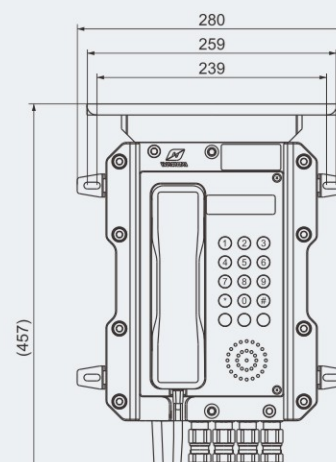
Weight

9kg

Dimension drawings (all dimensions in mm) - subject to alteration



HCBK-Z/A



Cable glands
configured as needed

HCBK-Z/B