

HR-ZFZD-E3W-FAJ系列消防应急照明灯具

HR-ZFZD-E3W-FAJ Series Fire Emergency Light Fittings



Waterproof



Dustproof



Corrosionproof

GB

IEC

EN

GOST

型号规格含义 Nomenclature

HR-ZFZD-E3W-FAJ

消防应急照明灯具
Fire emergency light fittings

产品特点 Product features

- ◆ 本产品执行GB17945《消防应急照明和疏散指示系统》标准；
 - ◆ 工程塑料外壳；
 - ◆ 内置免维护电池组，在正常供电下自动充电，事故断电或停电时应急灯自动点亮；
 - ◆ 应急灯自动切换应急，并具有过放电和过充电保护等功能；
 - ◆ 应急专用式，LED光源，仅在应急时工作；
 - ◆ 设有月检功能，每月自动放电一次，应急工作状态维持120s，自动恢复主电状态；
 - ◆ 设有年检功能，每隔一年自动由主电转入应急工作状态并持续至放电终止，然后自动恢复主电状态；
 - ◆ 钢管或电缆布线均可；
 - ◆ 防腐等级：WF2。
- ◆ This product executes GB17945 standard "Fire emergency lighting and evacuation instruction system".
 - ◆ Engineering plastics enclosure.
 - ◆ Built-in maintenance-free battery pack, charging automatically under normal power supply, when the power source is cut off, it will be switched to emergency status.
 - ◆ With overcharging and over discharging protection, emergency lights switch to emergency status automatically.
 - ◆ Emergency special type, LED light source, only works under emergency status.
 - ◆ With monthly inspection function, automatic charging once a month, emergency working status maintains 120s and then recover to main supply status automatically.
 - ◆ With yearly inspection function, switch from main supply status to emergency working conditions every other year and continue to the end of discharging, and then back to main supply status.
 - ◆ Steel pipe or cable wiring is optional.
 - ◆ Corrosion-proof: WF2.



HR-ZFZD-E3W-FAJ系列消防应急照明灯具 HR-ZFZD-E3W-FAJ Series Fire Emergency Light Fittings

产品规格 Product specifications

型号规格 Model Specifications	灯具功率 Lamp power	应急时间 Emergency time	重量 Weight
HR-ZFZD-E3W-FAJ	3W	120min	0.9kg

产品描述 Product description

执行标准：中国GB标准
额定电压：220V AC 50/60Hz

Executive standards: Chinese GB standards
Rated voltage: 220V AC 50/60Hz

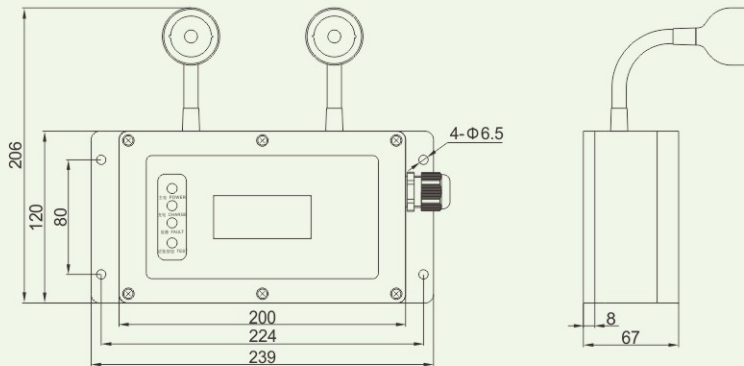
执行标准：国际IEC标准 / 欧盟EN标准
额定电压：220V~240V AC 50/60Hz

Executive standards: International IEC standards /
European EN standards
Rated voltage: 220V~240V AC 50/60Hz

环境温度：-40℃~+55℃
防护等级：IP66
引入装置：M20×1.5引入规格，
适合Φ6mm~Φ10mm电缆

Ambient temperature: -40℃~+55℃
Degree of protection: IP66
Cable gland: M20×1.5 entry specification,
suitable for cable of Φ6mm-Φ10mm

外形尺寸
Outline dimension (mm)



订货须知 Ordering Information

- ◆ 注明执行标准、工作电压、环境温度；
- ◆ 按照产品型号规格说明逐条选择，
例如：需要消防应急照明灯具，
则产品选型为HR-ZFZD-E3W-FAJ。
- ◆ Specify the executive standard, working voltage, and environment temperature.
- ◆ Follow the product nomenclature for selection.
For example: Fire protection emergency light fitting,
the product type shall be HR-ZFZD-E3W-FAJ.