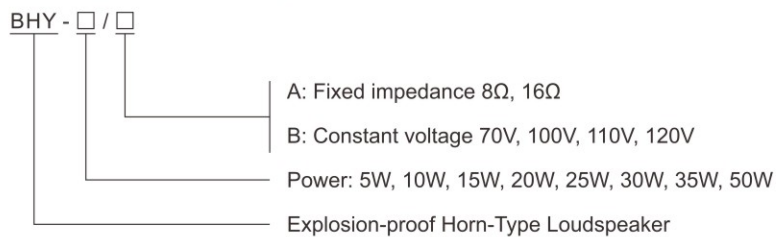


## SCS-KD Smart Integrated Communication Control System BHY Explosion-proof Horn-Type Loudspeaker



- ◆ Explosion protection to
  - CENELEC
  - IEC
- ◆ Can be used in
  - Zone 1 and Zone 2
  - Zone 21 and Zone 22

### ■ Catalogue number logic



### ■ Product features

- ◆ The housing is die-cast from aluminum alloy with a high-temperature electrostatic powder coating surface.
- ◆ All exposed fasteners are made of stainless steel, significantly enhancing the product's corrosion resistance.
- ◆ Advanced international explosion-proof treatment technology is employed, ensuring reliable explosion-proof performance.
- ◆ The product exhibits excellent acoustic performance and is suitable for harsh industrial environments.

Zones 1&2; 21&22

## SCS-KD Smart Integrated Communication Control System

### BHY Explosion-proof Horn-Type Loudspeaker

#### Technical data

#### Explosion-proof Horn-Type Loudspeaker BHY

##### Explosion protection

Global (IECEX)	IECEX (applied for)
Gas and dust	Ex db IIC T6 Gb Ex tb IIIC T80°C Db
Europe (ATEX)	ATEX (applied for)
Gas and dust	⊕ II 2 G Ex db IIC T6 Gb ⊕ II 2 D Ex tb IIIC T80°C Db

##### Certificates

IECEX; ATEX

##### Conformity to standards

IEC 60079-0, IEC 60079-1, IEC 60079-31, EN 60079-0, EN 60079-1, EN 60079-31

##### Type

A: Fixed impedance 8Ω, 16Ω  
B: Constant voltage 70V, 100V, 110V, 120V

##### Power

5W, 10W, 15W, 20W, 25W, 30W, 35W, 50W

##### Cable Entries

70V, 100V, 110V, 120V

##### Audio Voltage

M20×1.5, NPT1/2 entry size

##### Protection rating

IP66

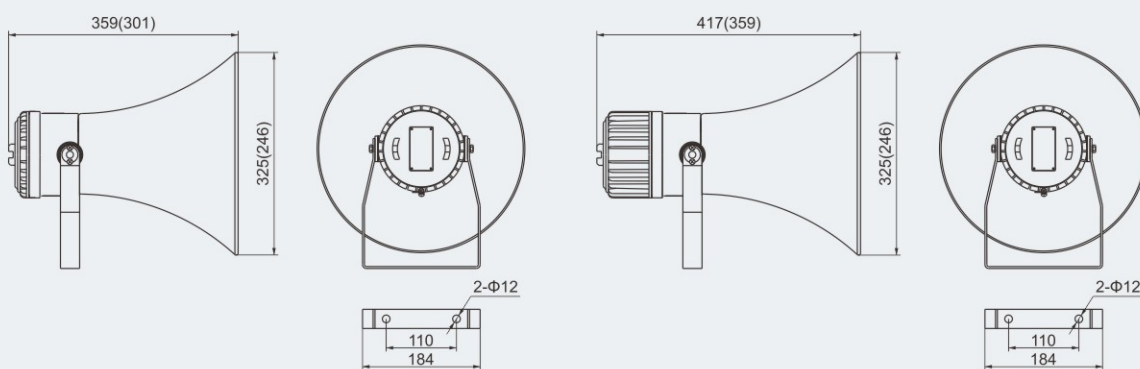
##### Corrosion protection rating

WF2

##### Temperature range

-40°C~+70°C

#### Dimension drawings (all dimensions in mm) - subject to alteration



Parameters in parentheses: 5W, 10W, 15W, 20W, 25W, 30W, 35W  
Parameters outside parentheses: 50W

Fixed impedance

Parameters in parentheses: 5W, 10W, 15W, 20W, 25W, 30W, 35W  
Parameters outside parentheses: 50W

Constant voltage