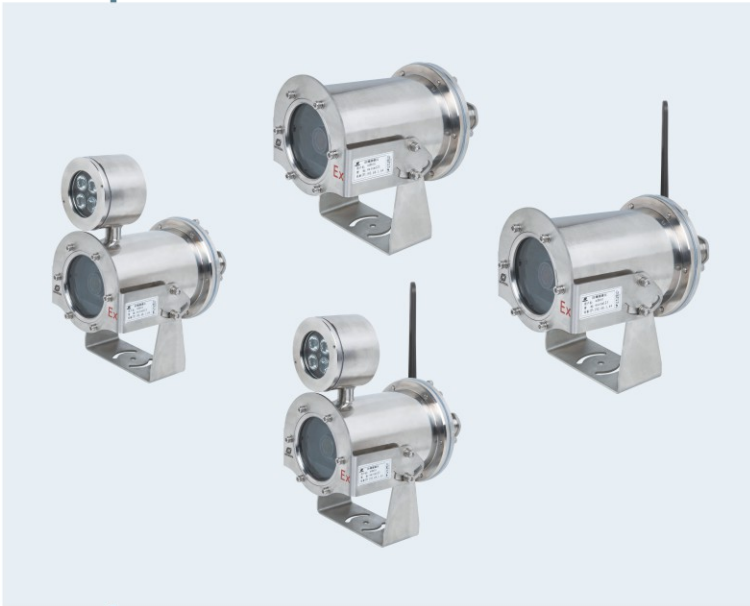


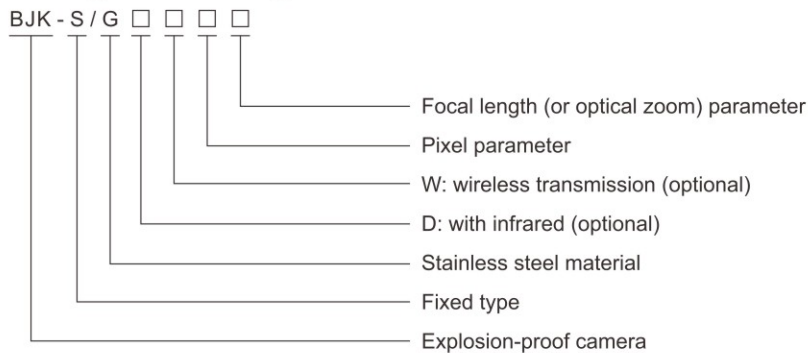
SCS-JK Intelligent AI Video Image Analysis and Warning System

BJK-S/G□ Series Explosion-proof Camera



- ◆ Explosion protection to
 - CENELEC
 - IEC
- ◆ Can be used in
 - Zone 1 and Zone 2
 - Zone 21 and Zone 22
- ◆ Product features: intelligent control, intelligent monitoring, intelligent communication, intelligent recognition, intelligent analysis, intelligent monitoring.

■ Catalogue number logic



■ Product features

- ◆ Explosion-proof cameras are used as fixed terminals in intelligent video surveillance systems, enabling functions such as on-site scanning transmission, real-time video streaming, instant recording storage, and remote network transmission of images.
- ◆ They are ideal for fixed-point monitoring of critical areas and feature a semi-fixed pan-tilt mechanism allowing manual adjustment of angles in all directions.
- ◆ An intelligent temperature control unit can be optionally installed internally, enabling operation in harsh environments down to -40°C .
- ◆ Wireless modules can also be configured to transmit video signals via 4G, 5G, or Wi-Fi wireless networks.

Zones 1&2; 21&22

SCS-JK Intelligent AI Video Image Analysis and Warning System

BJK-S/G□ Series Explosion-proof Camera

Technical data	
Explosion-proof Camera	BJK-S/G□
Explosion protection	
Global (IECEX)	IECEX TUR 22.0044X
Gas and dust	Ex db IIC T6 Gb Ex tb IIIC T80°C Db
Europe (ATEX)	TÜV 22 ATEX 8864 X
Gas and dust	⊕ Ex II 2 G Ex db IIC T6 Gb ⊕ Ex II 2 D Ex tb IIIC T80°C Db
Certificates	IECEX; ATEX
Conformity to standards	IEC 60079-0, IEC 60079-1, IEC 60079-31, EN 60079-0, EN 60079-1, EN 60079-31
Rated voltage	176-264V AC, AC24V, DC24V, DC12V
Material	304 stainless steel or 316 stainless steel
Pixel	2 million, 4 million, 8 million (optional)
Optical zoom	4x, 25x, 32x (optional)
Focal length	2.8-12mm, 4.8~120mm, 5.9~188.8mm(optional)
Infrared function	Optional
Image sensor	1/1.8" progressive scan CMOS
Min. Illumination	Color: 0.0005 lux; Monochrome: 0.0001 lux
Signal-to-noise ratio	>52dB
White balance	Manual white balance, indoor, outdoor, daylight, sodium lamp, auto white balance, auto tracking white balance, locked white balance
Day/Night mode	Auto ICR color-to-black
Video compression	H.264/H.265
Angle adjustment	Manual half-fixed pan-tilt mount with adjustable up/down and left/right angles
Intelligent features	Supports region intrusion detection, boundary crossing detection, entry/exit region detection, loitering detection, crowd gathering detection, fast motion detection, parking detection, audio anomaly detection, motion detection, video obstruction detection
Transmission method	Wired, 4G/5G/WiFi (optional)
Mounting bracket	ZJ001 wall-mounted bracket
Bracket material	Q235 carbon steel, 304 stainless steel, 316 stainless steel (optional)
Protection rating	IP68
Temperature range	-40°C~+60°C
Weight	5kg



Dimension drawings (all dimensions in mm) - subject to alteration

