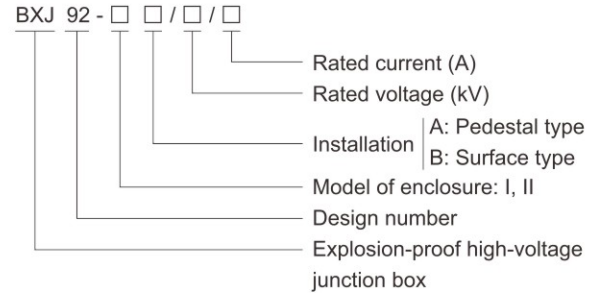


Terminal Boxes BXJ92 Series Explosion-proof High-Voltage Junction Boxes



- ◆ Explosion protection to
 - CENELEC
 - IEC
 - NEC
- ◆ Can be used in
 - Zone 1 and Zone 2
 - Zone 21 and Zone 22
 - Class I, Zone 1 and Zone 2
 - Class I, Division 2, Groups A, B, C, D
- ◆ Enclosure: stainless steel or carbon steel.
- ◆ Special requirements on request.
- ◆ Copper bars and high-voltage insulators.

■ Catalogue number logic



Technical data

Explosion-proof high-voltage junction box BXJ92-□/□/□

Explosion protection	IECEX PCET 24.0011X		
Global (IECEX)	Ex db IIB T6...T5 Gb		
Gas and dust	Ex tb IIIC T80°C...T95°C Db		
	ExVeritas 24 ATEX 1911X		
Europe (ATEX)	Gas and dust		
Gas and dust	ⓧ II 2 G Ex db IIB T6...T5 Gb ⓧ II 2 D Ex tb IIIC T80°C...T95°C Db		
Certificates	IECEX; ATEX		
Conformity to standards	EN 60079-0, EN 60079-1, EN 60079-31 IEC 60079-0, IEC 60079-1, IEC 60079-31		
Enclosure material	Stainless steel or carbon steel		
Exposed fastener	Stainless steel		
Rated voltage	3~15kV (standard), 24~35kV(optional)		
Rated current	Up to max. 800A		
	Form of maximum power dissipation and temperature rise		
	Ta=60°C	T5/T95°C	T6/T80°C
	Type	Power consumption (W)	Power consumption (W)
	BXJ92-I	371	180
	BXJ92-II	575	279
Internal & external earthing	M8/M12		
Degree of protection	IP66		
Ambient temperature	-60°C ≤ Ta ≤ +60°C		

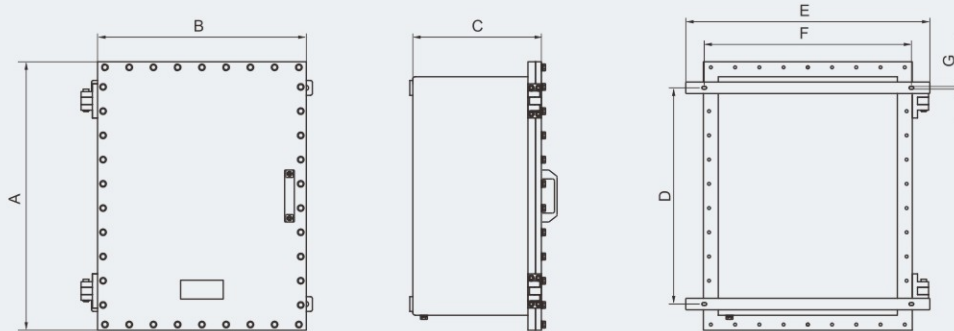
Zones 1&2; 21&22



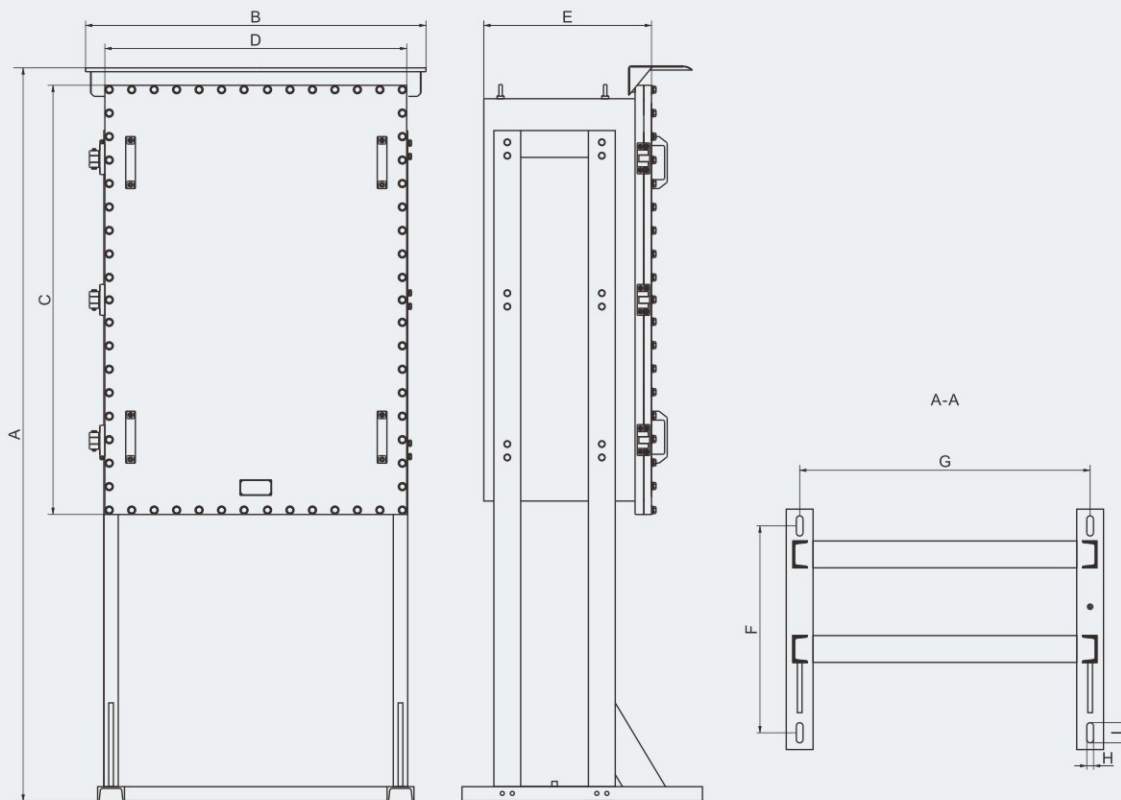
Terminal Boxes

BXJ92 Series Explosion-proof High-Voltage Junction Boxes

Selection table of BXJ92 series explosion-proof high-voltage junction box (all dimensions in mm)



Version	External dimension			Mounting dimension			
	A	B	C	D	E	F	G
BXJ92-IA/□/□	980	720	425	600	800	720	12
BXJ92-IIA/□/□	1280	900	500	1030	1060	900	12



Version	External dimension					Mounting dimension				
	A	B	C	D	E	F	G	H	I	
BXJ92-IB/□/□	1945	840	980	720	425	550	686	60	20	
BXJ92-IIB/□/□	2195	1015	1280	900	500	617	866	60	20	

