

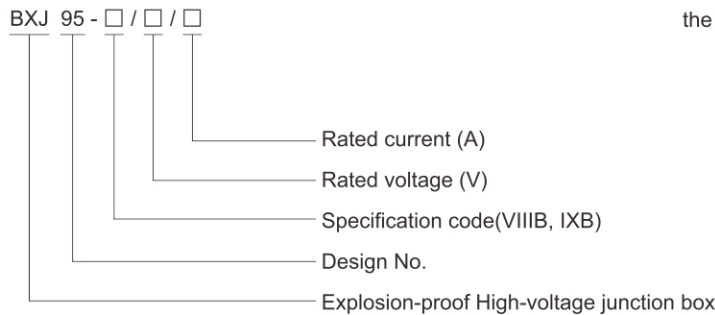
## Terminal Boxes BXJ95 Series Explosion-proof High-voltage Junction Boxes



- ◆ Explosion protection to
  - CENELEC
  - IEC
  - NEC
- ◆ Can be used in
  - Zone 1 and Zone 2
  - Zone 21 and Zone 22
  - Class I, Zone 1 and Zone 2
  - Class I, Division 1, Groups B, C, D
- ◆ Flameproof enclosure (Ex d IIB+H<sub>2</sub>), which can be used as feed distribution equipment in control and distribution system (such as distribution box, switch box of main circuit, control box, terminal box or motor starting box etc.)
- ◆ Copper-free Aluminium Alloy enclosure, powder coated surface.
- ◆ Equipped with specialized hinge structure, which can prevent the flameproof joints from damage when opening and closing the box, and greatly prolong the service life of box.
- ◆ The boxes can be combined and installed freely to save space and meet the requirements of various distribution systems.
- ◆ Special requirements on request.
- ◆ The large space of the enclosure makes it easy for wire assembling.
- ◆ Adopting high-precision machining, excellent explosion-proof performance.
- ◆ Professionally designed door handles, reliable and safe when opening the door.
- ◆ Professionally designed hinges, reliable and safe when opening the door.



### ■ Catalogue number logic



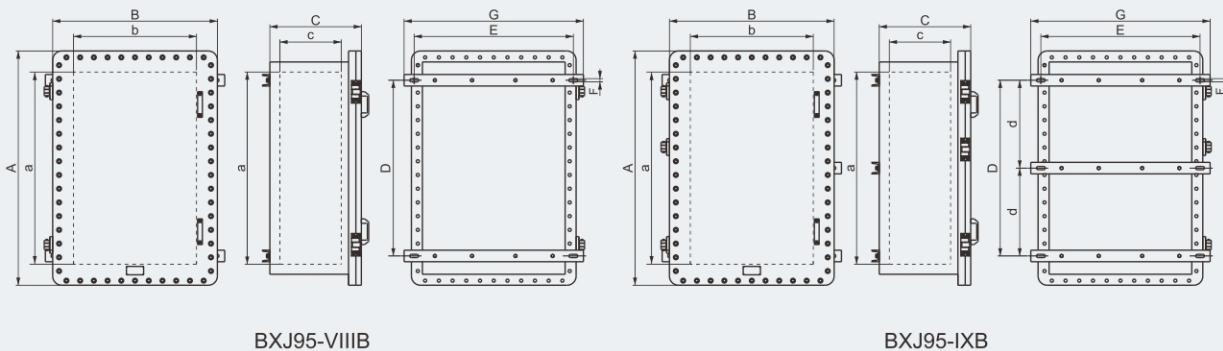
Zones 1&2; 21&22

## Terminal Boxes BXJ95 Series Explosion-proof High-voltage Junction Boxes

Technical data	
<b>Explosion-proof high-voltage junction boxes BXJ95-□/□/□</b>	
<b>Explosion protection</b>	
Global (IECEX)	IECEX PCET 24.0030X
Gas and dust	Ex db IIB+H <sub>2</sub> T6/T5 Gb Ex tb IIIC T80°C/T95°C Db
Europe (ATEX)	ACE 25 ATEX 033X
Gas and dust	⊕ II 2 G Ex db IIB+H <sub>2</sub> T6/T5 Gb ⊕ II 2 D Ex tb IIIC T80°C/T95°C Db
<b>Certificates</b>	IECEX; ATEX
<b>Conformity to standards</b>	EN 60079-0, EN 60079-1, EN 60079-31 IEC 60079-0, IEC 60079-1, IEC 60079-31
<b>Enclosure material</b>	Copper-free Aluminium Alloy enclosure, powder coated surface, window grey (RAL7040)
<b>Exposed fastener</b>	Stainless steel
<b>Rated voltage</b>	Max. 15kV AC
<b>Rated current</b>	Max. 800A
<b>Degree of protection</b>	IP66
<b>Internal &amp; external earthing</b>	M8/M8
<b>Ambient temperature</b>	T6/T80°C for Tamb: -60°C~+40°C T5/T95°C for Tamb: -60°C~+60°C
<b>Cable entries</b>	Standard M□×1.5 plug (the size of entry hole should be processed in accordance with actual requirements), NPT□ plug on request.
<b>Cable gland (optional)</b>	DQM-II (Ex d) or DQM-III (Ex d) is recommended. Please see P6/24~39.
<b>Entry direction</b>	Bottom
<b>Mounting</b>	Surface type (standard) Pedestal type (optional)



### Dimension drawings (all dimensions in mm) - subject to alteration



Model	A	B	C	a	b	c	d	D	E	F	G
BXJ95-VIIIIB	980	720	425	800	540	270	-	830	700	14	750
BXJ95-IXB	1280	900	500	1050	670	330	540	1080	850	14	900