

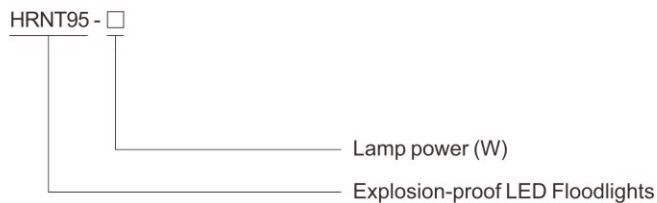
LED Light Fittings

HRNT95 Series Explosion-proof LED Floodlights



- ◆ Explosion protection to
 - CENELEC
 - IEC
 - NEC
- ◆ Can be used in
 - Zone 2
 - Zone 21 and Zone 22
 - Class I, Zone 2
 - Class I, Division 2, Groups A, B, C, D
- ◆ Applicable lamp and power (max.300W)
LED: 80W, 120W, 150W, 200W, 240W, 300W
- ◆ International brand white light LED, reasonable arrangement of multi LED, high lighting efficiency and long service life.
- ◆ Two types of light distribution: spotlight and floodlight, which can be selected on request.
- ◆ Standard products with 60° lens, 30° lens is optional, please specify when placing an order.
- ◆ Low-maintenance due to long service life, which is up to 100,000 operating hours.

■ Catalogue number logic



■ Selection table

Type/Ordering code	Lamp power (W)	Weight (kg)	Type/Ordering code	Lamp power (W)	Weight (kg)
HRNT95-80	80	5.40	HRNT95-200	200	8.00
HRNT95-120	120	5.80	HRNT95-240	240	8.20
HRNT95-150	150	7.50	HRNT95-300	300	13.40

Note: 1. Standard products with 60° lens, 30° lens is optional, please specify when placing an order.
2. Standard luminaires do not equip with wire guard, if need, please specify.

Zones 2; 21&22

LED Light Fittings

HRNT95 Series Explosion-proof LED Floodlights

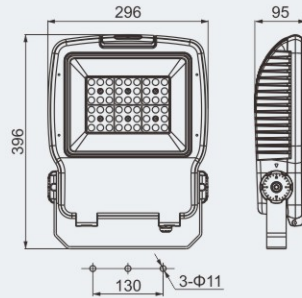


Technical data	
Explosion-proof LED floodlights HRNT95-□□	
Explosion protection	
Global (IECEX)	IECEX NEP 24.0038X
Gas and dust	Ex ec mc IIC T□ ¹⁾ Gc Ex tb IIIC T□ ¹⁾ Db
Europe (ATEX)	ACE 25 ATEX 015X
Gas and dust	⊕ II 3 G Ex ec mc IIC T□ ¹⁾ Gc ⊕ II 2 D Ex tb IIIC T□ ¹⁾ Db ¹⁾ See Selection Table
Certificates	IECEX; ATEX
Conformity to standards	EN 60079-0, EN 60079-7, EN 60079-18, EN 60079-31 IEC 60079-0, IEC 60079-7, IEC 60079-18, IEC 60079-31
Material	
Enclosure	Copper-free Aluminium Alloy, powder coated surface,
Glass cover	Toughened glass, stands 4J impact
LED driver	Wide voltage input, CC-CV (constant current - constant voltage) output, power factor ≥0.95, with function of distributed current, constant current, surge-proof and anti-electromagnetic interference, and protection against overcurrent, open circuit, and short circuit.
Exposed fastener	Stainless steel
Lamp	
Lamp specification	LED module, Multiple LED
Lamp power (W)	80W, 120W, 150W, 200W, 240W, 300W
Colour rendering index (Ra)	≥80
Colour temperature (CCT)	5000K Note: nature white is available in general. Warm white is optional, please specify when ordering.
Rated voltage	110~277V AC 50/60Hz, 130~250V DC 415V AC 50/60Hz is optional (only for 200W, 300W)
Degree of protection	IP66
Ambient temperature	-40°C~+58°C(+40°C)
Terminal	3×1.5~4mm ² (L+N+PE)
Cable entries	1×M20×1.5 cable gland (DQM-I Ex eb)

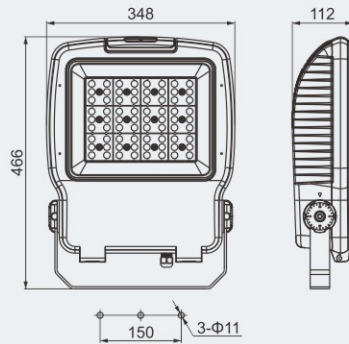
Selection table				
Rated power(W)	Temperature classification			
	-40°C≤Ta≤+40°C		-40°C≤Ta≤+58°C	
	Gas	Dust	Gas	Dust
80, 120, 150, 200, 240, 300	T5	T82°C	T4	T100°C
200 (415V AC, 50/60Hz)	T5	T88°C	T4	T106°C

LED Light Fittings HRNT95 Series Explosion-proof LED Floodlights

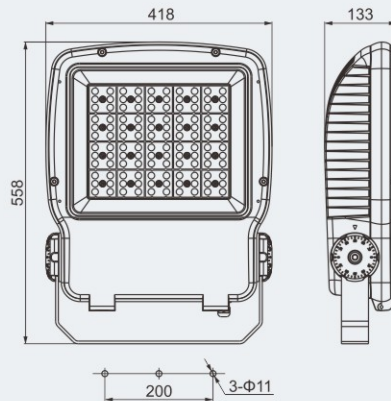
Dimension drawings (all dimensions in mm) - subject to alteration



HRNT95-80 / HRNT95-120



HRNT95-150 / HRNT95-200 / HRNT95-240



HRNT95-300



Accessories

Picture	Name	Ordering code	Weight (kg)
	80W/120W Wire guard	95008	0.30
	150W/200W/240W Wire guard	95009	0.40
	300W Wire guard	95010	0.55