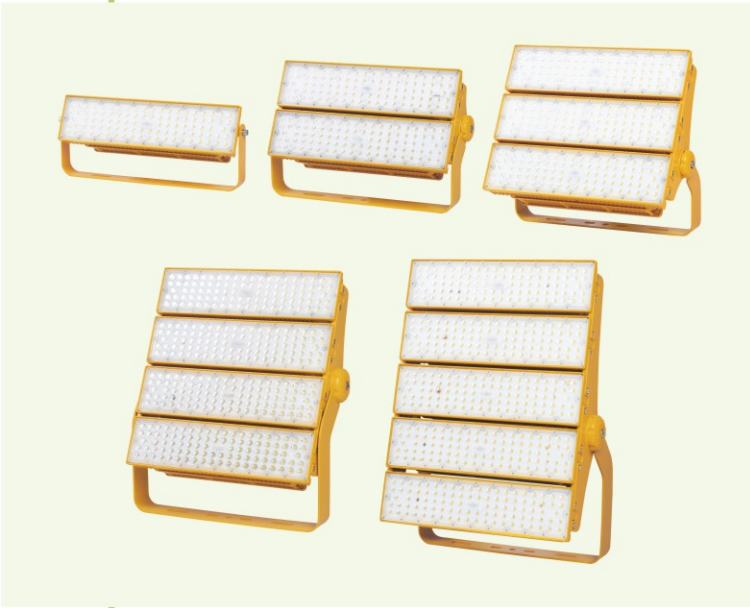
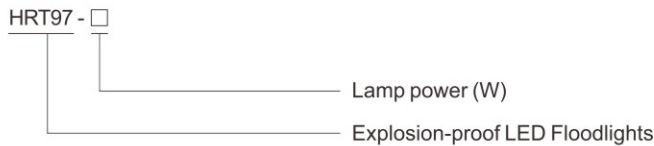


LED Light Fittings HRT97 Series Explosion-proof LED Floodlights



- ◆ Explosion protection to
 - CENELEC
 - IEC
 - NEC
- ◆ Can be used in
 - Zone 2
 - Zone 21 and Zone 22
 - Class I, Zone 2
 - Class I, Division 2, Groups A, B, C, D
- ◆ Applicable lamp and power (max.1000W)
LED: 200W, 400W, 600W, 800W, 1000W
- ◆ International brand white light LED, reasonable arrangement of multi LED, high lighting efficiency and long service life.
- ◆ Two types of light distribution: spotlight and floodlight, which can be selected on request.
- ◆ Standard products with 60° lens, 30° lens is optional, please specify when placing an order.
- ◆ Low-maintenance due to long service life, which is up to 100,000 operating hours.

Catalogue number logic



Selection table

Type/Ordering code	Lamp power (W)	Weight (kg)	Type/Ordering code	Lamp power (W)	Weight (kg)
HRT97-200	200	4.50	HRT97-800	800	19.00
HRT97-400	400	9.60	HRT97-1000	1000	23.40
HRT97-600	600	13.60			

Note: 1. Standard products with 60° lens, 30° lens which is optional, please indicate when placing an order.
2. Standard luminaries do not equip with wire guard, if need, please specify.

Zones 2; 21&22

LED Light Fittings HRT97 Series Explosion-proof LED Floodlights

Technical data

Explosion-proof LED floodlights HRT97-□

Explosion protection

Global (IECEX)	IECEX CNE 26.0001X
Gas and dust	Ex ec mc IIC T3 Gc Ex tb IIIC T130°C Db
Europe (ATEX)	ATEX (applied for)
Gas and dust	⊕ II 3 G Ex ec mc IIC T3 Gc ⊕ II 2 D Ex tb IIIC T130°C Db

Certificates

IECEX; ATEX

Conformity to standards

EN 60079-0, EN 60079-7, EN 60079-18, EN 60079-31
IEC 60079-0, IEC 60079-7, IEC 60079-18, IEC 60079-31

Material

Enclosure	Copper-free Aluminium Alloy, powder coated surface,
Glass cover	Toughened glass, stands 4J impact
LED driver	Wide voltage input, CC-CV (constant current - constant voltage) output, power factor ≥0.95, with function of distributed current, constant current, surge-proof and anti-electromagnetic interference, and protection against overcurrent, open circuit, and short circuit.
Exposed fastener	Stainless steel

Lamp

Lamp specification	LED module, Multiple LED
Lamp power (W)	200W, 400W, 600W, 800W, 1000W
Colour rendering index (Ra)	≥80
Colour temperature (CCT)	5000K
	Note: nature white is available in general. Warm white is optional, please specify when ordering.

Rated voltage

100~277V AC 50/60Hz, 150~250V DC

Degree of protection

IP66

Ambient temperature

-60°C~+60°C

Terminal

3×1.5~6mm² (L+N+PE)

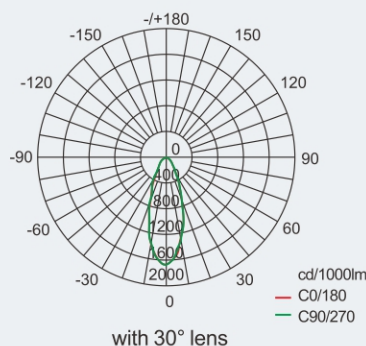
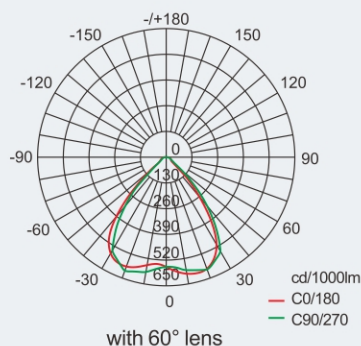
Cable entries

1×M20×1.5 cable gland (DQM-I Ex eb)(M25×1.5 is optional)



Photometric data Note: Standard products with 60° lens, 30° lens which is optional, please indicate when placing an order.

Lamp power (W)	Luminous flux	Wattage
200W	31114lm	201W

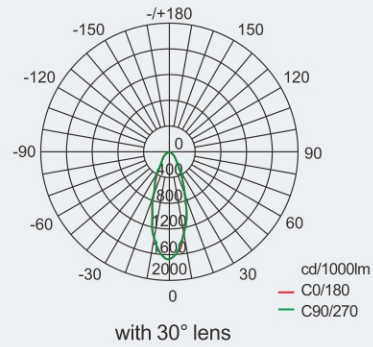
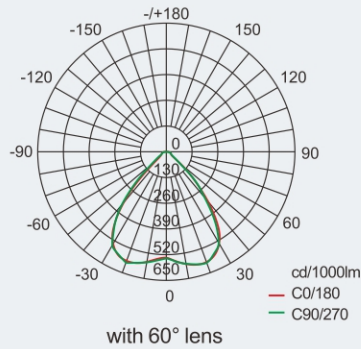


We can provide lighting design and data by professional lighting software DIALUX based upon simulated site situation on request.

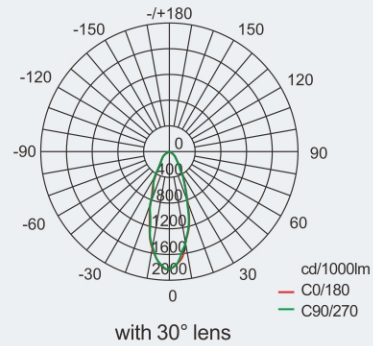
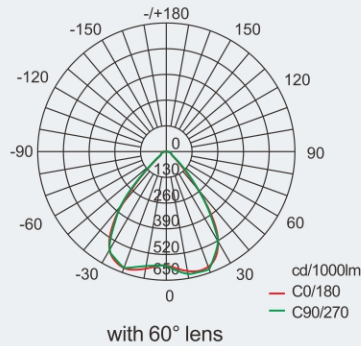
LED Light Fittings HRT97 Series Explosion-proof LED Floodlights

Photometric data Note: Standard products with 60° lens, 30° lens is optional, please specify when placing an order.

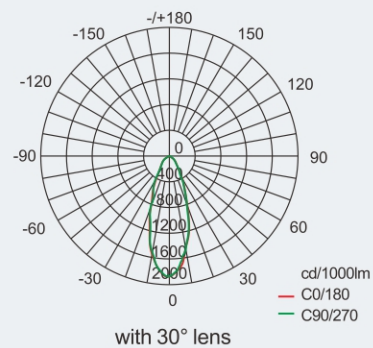
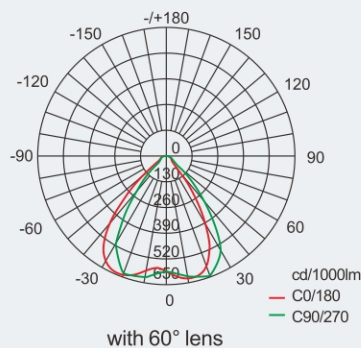
Lamp power (W)	Luminous flux	Wattage
400W	61871lm	398.1W



Lamp power (W)	Luminous flux	Wattage
600W	93930lm	606.8W



Lamp power (W)	Luminous flux	Wattage
800W	125253lm	805.9W

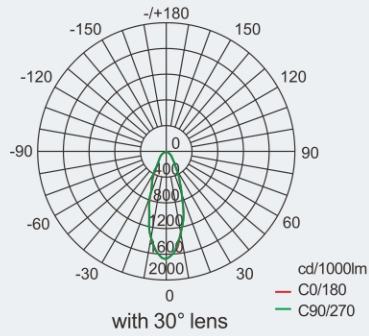
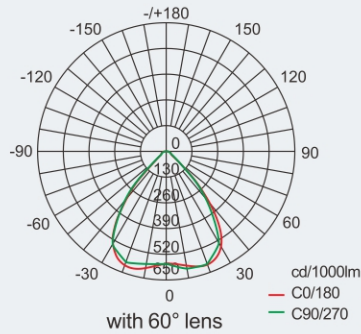


We can provide lighting design and data by professional lighting software DIALUX based upon simulated site situation on request.

LED Light Fittings HRT97 Series Explosion-proof LED Floodlights

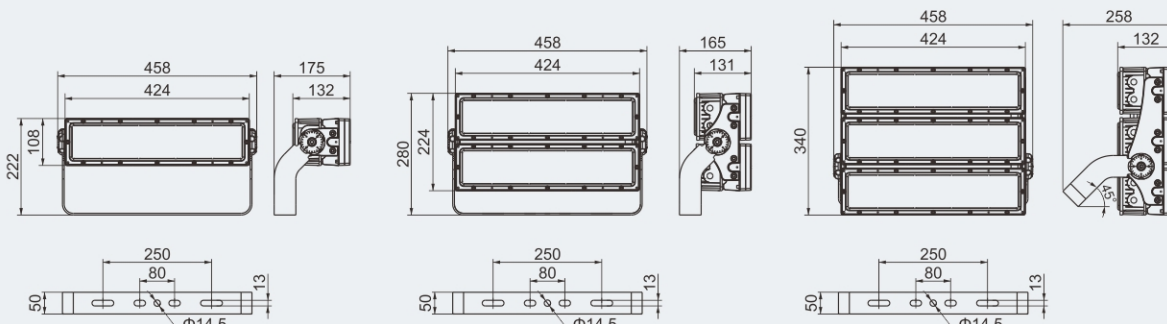
Photometric data Note: Standard products with 60° lens, 30° lens is optional, please specify when placing an order.

Lamp power (W)	Luminous flux	Wattage
1000W	157527lm	1017W



We can provide lighting design and data by professional lighting software DIALUX based upon simulated site situation on request.

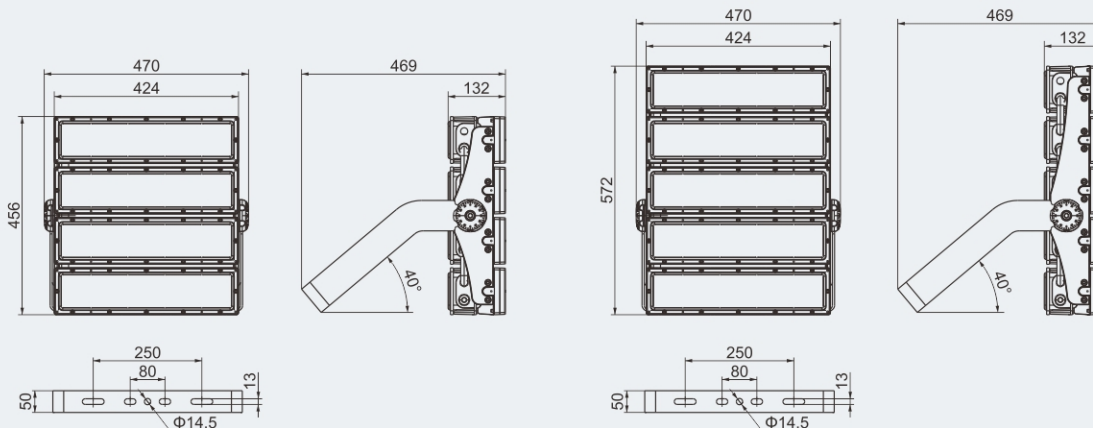
Dimension drawings (all dimensions in mm) - subject to alteration



HRT97-200

HRT97-400

HRT97-600



HRT97-800

HRT97-1000

