

## SCS-ZM Intelligent Lighting Management and Control System WRG600 Explosion-Proof Intelligent Communication Base Station

- ◆ Explosion protection to
  - CENELEC
  - IEC
  - NEC
- ◆ Can be used in
  - Zone 2
  - Zone 21 and Zone 22
- ◆ Intelligent Communication: Upstream supports fiber, Ethernet cable, 4G, 5G-flexible networking. Downstream uses industrial wireless or power line carrier technology with self-organizing capabilities, enabling dynamic self-organization, self-configuration, and self-maintenance.
- ◆ Intelligent Storage: Built-in smart storage chip; storage system control strategy ensures stable and safe system operation.
- ◆ Intelligent Upgrade: Supports remote and local upgrades for easy maintenance after deployment.



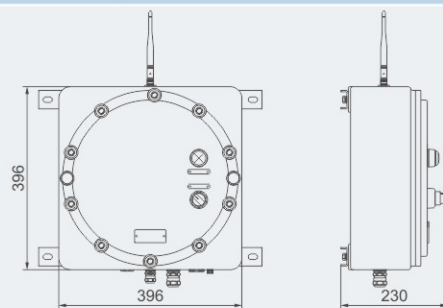
### Technical data

#### Explosion-Proof Intelligent Communication Base Station WRG600

<b>Explosion protection</b>	IECEX (applied for)
Global (IECEX)	Ex db IIC T6 Gb
Gas and dust	Ex tb IIIC T80°C Db
Europe (ATEX)	ATEX (applied for)
Gas and dust	⊕ II 2 G Ex db IIC T6 Gb
	⊕ II 2 D Ex tb IIIC T80°C Db
<b>Certificates</b>	IECEX; ATEX
<b>Conformity to standards</b>	EN 60079-0, EN 60079-1, EN 60079-31
	IEC 60079-0, IEC 60079-1, IEC 60079-31
<b>Operating voltage</b>	AC220/230V 50/60Hz
<b>Protection rating</b>	IP66
<b>Communication method</b>	Upstream: Fiber or ethernet cable, 4G, 5G
	Downstream: Zigbee wireless or power line carrier
<b>Cable entries</b>	Cables: M25×1.5 entry size-compatible with cables from Φ9mm to Φ16mm
	Optical cables: M20×1.5 entry size-compatible with optical cables from Φ5.5mm to Φ12mm
	Spares: 1×M20×1.5, 1×M25×1.5 entry sizes



### Dimension drawings (all dimensions in mm) - subject to alteration



## Zones 1&2; 21&22